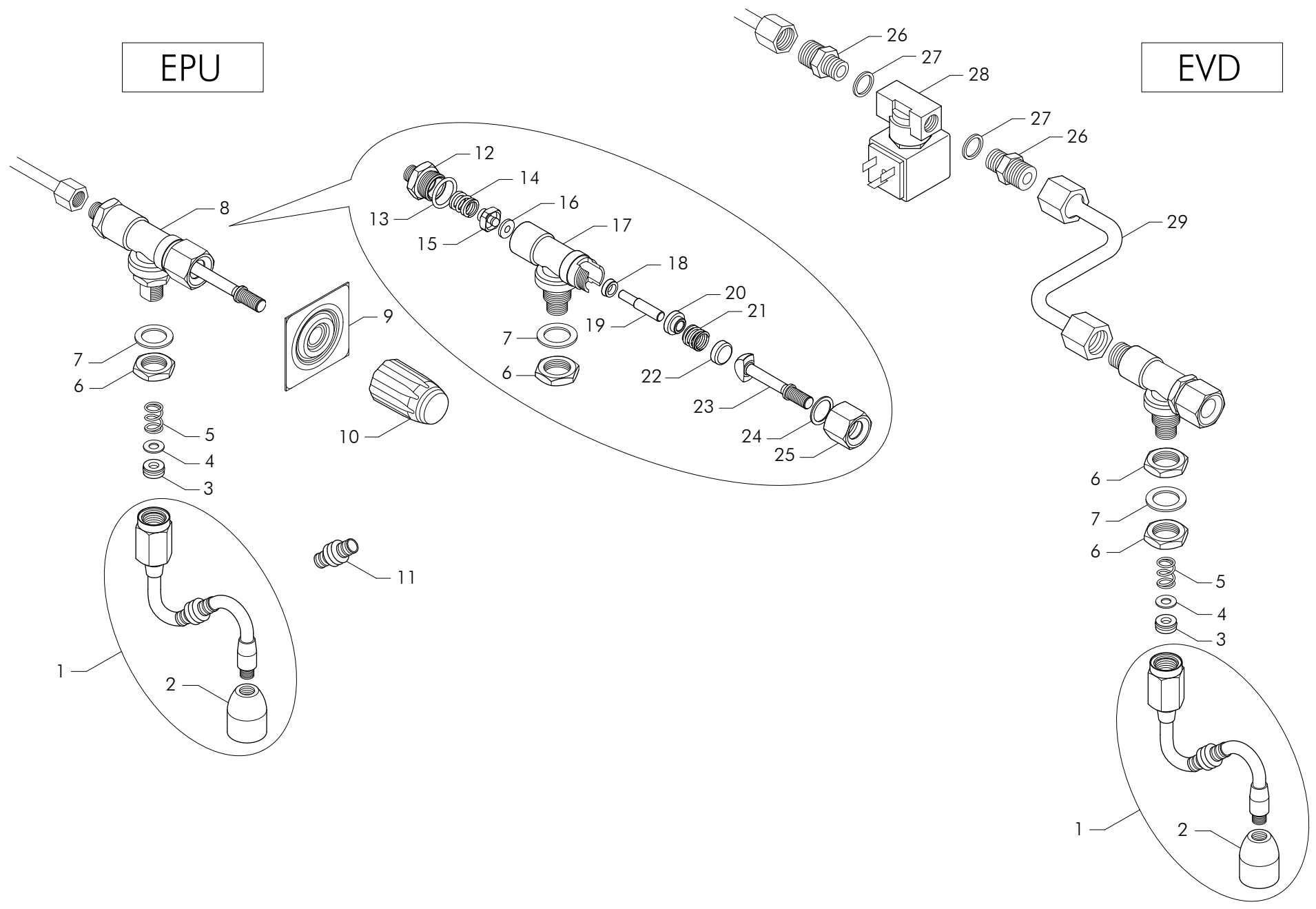


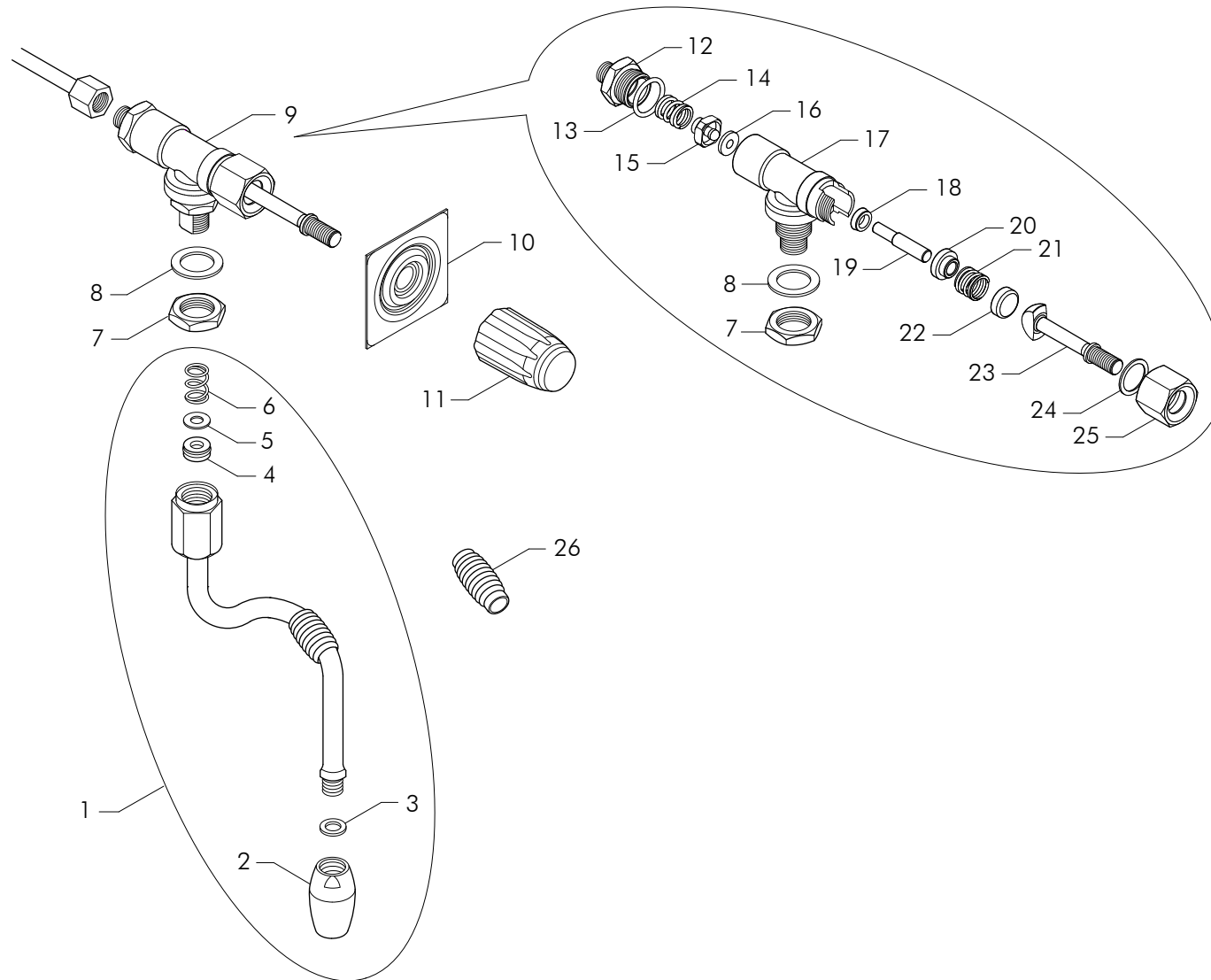
EPU

EVD



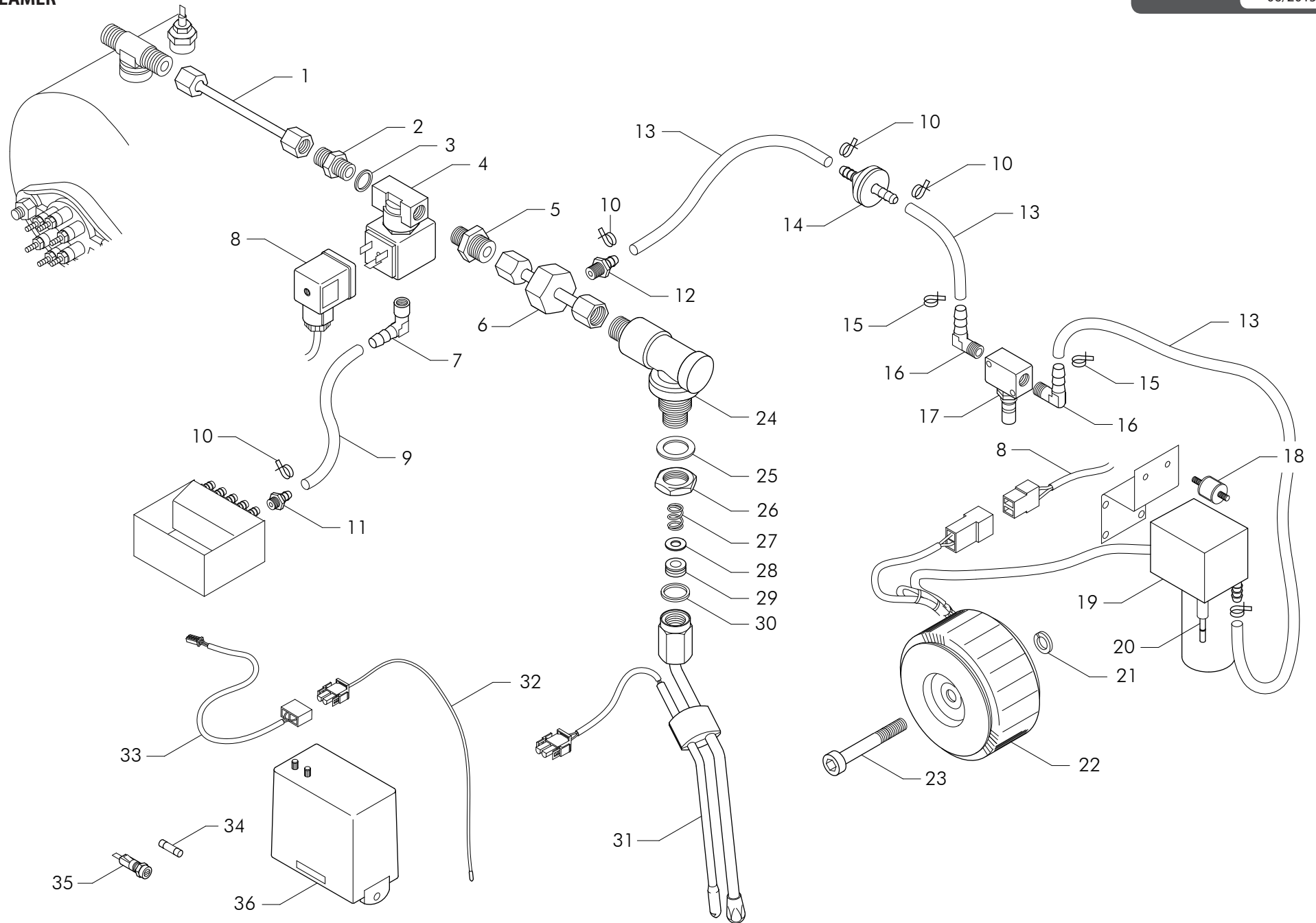
## ACQUA - WATER - EAU - WASSER

Pos	Cod.	Denominazione - IT -	Denomination - GB -	Denomination - FR -	Denomination - DE -
1	WY4656119170	ASSIEME TUBO ACQUA	ASS.WATER TUBE	ENSEMBLE TUYAU EAU	WASSER ROHR
2	WY4625763054	SPRUZZATORE ACQUA CW510L	WATER NOZZLE	ATOMISEUR D'EAU	WASSERDUSE
3	WY12661	GUARNIZIONE OR CON LUNETTA P.MOLLA	OR REST FOR ST.STEEL STEAM PIPE	OR LUNETTE P.RESSORT TUYAU VAP. INOX	HALBE OR-DICHT.F.FEDER DAMPFROHR ED
4	WY23260018	RONDELLA ELASTICA D-14,2 Sp.1	WASHER D-14,2	RONDELLE D-14,2	SCHEIBE D-14,2
5	WY10465001	MOLLA De 11,4 Df1,7 AISI 302	STEAM SPRING S.STEEL	RESSORT AISI	DAMPF HAHNFEDEN STAHL
6	WY25384004	DADO OTTONE RUBINETTO A LEVA -12-	BRASS NUT -12-	ECROU LAITON -12-	MESSING-MUTTER -12-
7	WY23292005	RONDELLA M24	BUSHEL M24	JOINT M24	DICHTUNG M24
8	WY4620233018	RUBINETTO A LEVA -12- CW510L	LEVER STEAM TAP	ROBINET LEVIER	WASSERHAHN HEBEL
9	WY15259005	SOFFIETTO	BELLOWS Q 55X20X7	SOUFFLET	BALG
10	WY15278057	MANOPOLA COMPLETA RUBINETTO A LEVA NE/CR	TAP KNOB LEVER	TAP BOUTON LEVIER	KNOPF TAP HEBEL
11	WY15296001	GOMMINO ANTISCOTTATURA D.10	ANTI-BURNING RUBBER EL. FOR STEAM PIPE	ELEMENT ANTI-BRULURE POUR TUYAU VAP.D10	GUMMI GEGEN VERBRENNUNGEN F. DAMPFROHR
12	WY4625678050	RACCORDO 1/4M	CONNECTOR 1/4M	RACCORD 1/4M	ANSCHLUSS 1/4M
13	WY12204050	GUARNIZIONE OR	GASKET OR	JOINT OR	DICHTUNG OR
14	WY10452051	MOLLA PISTONCINO	SPRING	RESSORT	FEDER
15	WY4625616050	PISTONCINO	PISTON	PISTON	KOLBEN
16	WY12204051	GUARNIZIONE	GASKET	JOINT	DICHTUNG
17	WY4653003003	CORPO RUBINETTO	TAP BODY	CORPS DE ROBINET	HAHNKORPER
18	WY12204052	GUARNIZIONE	GASKET	JOINT	DICHTUNG
19	WY25385052	PERNO RUBINETTO	PIN	PIVOT	STIFT
20	WY15191050	GUIDA TEFLON	GUIDE TEFLON	GLISSIERE TEFLON	SCHIENE TEFLON
21	WY10452050	MOLLA	SPRING	RESSORT	FEDER
22	WY25385051	CAPPUCCIO SEDE MOLLA	HOOD SPRING SEAT	CHAPEAU SIEGE DU RESSORT	HOOD FEDERTELLER
23	WY25309050	ASTA RUBINETTO A LEVA	TAF SHAFT	TIGE ROBINET	HAHNSTANGE
24	WY25655050	RONDELLA SPESSORE DADO	BUSHEL	JOINT	DICHTUNG
25	WY25385050	DADO	NUT	ECROU	MUTTER
26	WY4625707	RACCORDO 1/8x1/4 CW510L	CONNECTOR 1/8x1/4 CW510L	RACCORD 1/8x1/4 CW510L	ANSCHLUSS 1/8x1/4 CW510L
27	WY12153	GUARNIZIONE RAME 1/4 17x13.3x1.5	GASKET 1/4 17x13.3x1.5 COPPER	JOINT CUIVRE 1/4 17x13.3x1.5	KUPFERDICHTUNG 1/4 17x13.3x1.5
28	WY4618162004	ELETTROVALVOLA AEA 220-240V 50-60Hz NSF	SOL.VALVE WATER REFILL 220/240 50/60HZ	ELECTROVANNE REA 220/240V 50/60Hz	ELEKTROVENTIL AWZ 230/250 V 50/60 Hz
29	WY4652003246	TUBO D-8 L.390	TUBE D-8 L.390	TUYAU D-8 L.390	ROHR D-8 L.390



## VAPORE - STEAM - VAPEUR - DAMPF

Pos	Cod.	Denominazione - IT -	Denomination - GB -	Denomination - FR -	Denomination - DE -
1	WY25763172	ASSIEME TUBO VAPORE INOX	ASS. STEAM TAP INOX	ENSEMBLE TUBE VAPEUR INOX	ZUSAMMEN DAMPFROHR INOX
2	WY25763074	SPRUZZATORE VAPORE INOX TUBO D.10 4 FORI	S.STEEL STEAM SPRAYER D.10 4 FORI	PULVERISATEUR VAPEUR D.10 4 FORI	INNENSPRITZDUSE D.10 4 FORI
3	WY12662	GUARNIZIONE ALL.SPRUZZATORE VAP.INOX	ALUM.SEAL FOR ST.STEEL STEAM	JOINT ALU GICLEUR VAP. INOX D.10	ALUMINIUMDICHT.DAMPFSTR.EDELSTAHL D.10
4	WY12661	GUARNIZIONE OR CON LUNETTA P.MOLLA	OR REST FOR ST.STEEL STEAM PIPE	OR LUNETTE P.RESSORT TUYAU VAP. INOX	HALBE OR-DICHT.F.FEDER DAMPFROHR ED
5	WY23260018	RONDELLA ELASTICA D-14,2 Sp.1	WASHER D-14,2	RONDELLE D-14,2	SCHEIBE D-14,2
6	WY10465001	MOLLA De 11,4 Df1,7 AISI 302	STEAM SPRING S.STEEL	RESSORT AISI	DAMPF HAHNFEDEN STAHL
7	WY25384004	DADO OTTONE RUBINETTO A LEVA -12-	BRASS NUT -12-	ECROU LAITON -12-	MESSING-MUTTER -12-
8	WY23292005	RONDELLA M24	BUSHEL M24	JOINT M24	DICHTUNG M24
9	WY4620233018	RUBINETTO A LEVA -12- CW510L	LEVER STEAM TAP	ROBINET LEVIER	WASSERHAHN HEBEL
10	WY15259005	SOFFIETTO	BELLOWS Q 55X20X7	SOUFFLET	BALG
11	WY15278057	MANOPOLA COMPLETA RUBINETTO A LEVA NE/CR	TAP KNOB LEVER	TAP BOUTON LEVIER	KNOPF TAP HEBEL
12	WY4625678050	RACCORDO 1/4M	CONNECTOR 1/4M	RACCORD 1/4M	ANSCHLUSS 1/4M
13	WY12204050	GUARNIZIONE OR	GASKET OR	JOINT OR	DICHTUNG OR
14	WY10452051	MOLLA PISTONCINO	SPRING	RESSORT	FEDER
15	WY4625616050	PISTONCINO	PISTON	PISTON	KOLBEN
16	WY12204051	GUARNIZIONE	GASKET	JOINT	DICHTUNG
17	WY4653003003	CORPO RUBINETTO	TAP BODY	CORPS DE ROBINET	HAHNKORPER
18	WY12204052	GUARNIZIONE	GASKET	JOINT	DICHTUNG
19	WY25385052	PERNO RUBINETTO	PIN	PIVOT	STIFT
20	WY15191050	GUIDA TEFLON	GUIDE TEFLON	GLISSIERE TEFLON	SCHIENE TEFLON
21	WY10452050	MOLLA	SPRING	RESSORT	FEDER
22	WY25385051	CAPPUCCIO SEDE MOLLA	HOOD SPRING SEAT	CHAPEAU SIEGE DU RESSORT	HOOD FEDERTELLER
23	WY25309050	ASTA RUBINETTO A LEVA	TAF SHAFT	TIGE ROBINET	HAHNSTANGE
24	WY25655050	RONDELLA SPESSORE DADO	BUSHEL	JOINT	DICHTUNG
25	WY25385050	DADO	NUT	ECROU	MUTTER
26	WY15296001	GOMMINO ANTISCOTTAURA D.10	ANTI-BURNING RUBBER EL. FOR STEAM PIPE	ELEMENT ANTI-BRULURE POUR TUYAU VAP.D10	GUMMI GEGEN VERBRENNUNGEN F. DAMPFROHR



## AUTOSTEAMER

Pos	Cod.	Denominazione - IT -	Denomination - GB -	Denomination - FR -	Denomination - DE -
1	WY4652003249	TUBO D-8 L.185	TUBE D-8 L.185	TUYAU D-8 L.185	ROHR D-8 L.185
2	WY4625686	RACCORDO 1/4Mx1/4M	CONNECTOR 1/4Mx1/4M	RACCORD 1/4Mx1/4M	ANSCHLUSS 1/4Mx1/4M
3	WY12153	GUARNIZIONE RAME 1/4 17x13.3x1.5	GASKET 1/4 17x13.3x1.5 COPPER	JOINT CUIVRE 1/4 17x13.3x1.5	KUPFERDICHTUNG 1/4 17x13.3x1.5
4	WY4618161976	ELETTRIVALVOLA 3VIE 1/4 D-3,2 230V	SOLENOID VALVE 1/4-3,2 230V/50 ETL4	ELECTROVANNE 1/4-3,2 230V ETL4	MAGNETVENTIL 1/4 D-3,2 230V ETL4
5	WY4625716	RACCORDO 3/8x1/4 CW510L	3/8x1/4 FITTING	RACCORD 3/8x1/4	ANSCHLUSS 3/8x1/4
6	WY25763155	INTERFACCIA EV VAPORE-CORPO RUBINETTO INOX	INTERFACE STEAM SOLENOID VALVE-TAP BODY	INTERFACE ELECTROVANNE VAP.-CORPS DE	SCHNITTSTELLE DAMPFVENTIL-HAHNKORPER
7	WY23228023	RACCORDO L 1/8F + PORTAGOMMA D-8	ELBOW CONNECTOR 1/8F D-8	RACCORD COUVE 1/8F D-8	FITTING 1/8F D-8
8	WY22716028	CABLAGGIO AUTOSTEAMER UL	AUTOSTEAMER CABLE	CABLE AUTOSTEAMER	KEBEL AUTOSTEAMER
9	WY15477014	TUBO SILICONE PLATINICO 7x11	SILICON TUBE 7x11	TUBE EN SILICONE 7x11	ROHR SILIKON 7x11
10	WY15056000	FASCETTA BIFILARE A MOLLA D.7,8-8,3	CLAMP D.7,8-8,3	COLLIER D.7,8-8,3	SCHELLE D.7,8-8,3
11	WY23221006	PORTAGOMMA 1/8M ES10 TUBO D.8 OT SCARICO V	HOSE CONNECTION 1/8M	PORTE-CAOUTCHOUC 1/8M	GUMMIHALTER 1/8M
12	WY23221002	PORTAGOMMA ES14 Cr SCARICO BACINELLA	HOSE CONNECTION ES14 Cr	PORTE-CAOUTCHOUC ES14 Cr	GUMMIHALTER ES14 Cr
13	WY15477012	TUBO SILICONE PLATINICO 3x7 Kg/mt 0,038	SILICONE TUBE 3X7	TUBE EN SILICONE 3x7 0.038 Kg/Mt	TUBO SILICONE PLATINICO 3x7 Kg/mt
14	WY20358006	VALVOLA NON RITORNO IN PLASTICA	NON RETURN VALVE	SOUPAPE DE NON RETOUR	ABSPERRVENTIL
15	WY15056001	FASCETTA BIFILARE A MOLLA D.8,8-9,3	CLAMP D.8,8-9,3	COLLIER D.8,8-9,3	SCHELLE D.8,8-9,3
16	WY23216	RACCORDO GOM.1/8M.CONICO+PORTAGOMMA D-6	CONICAL ELBOW CONNECTOR 1/8	RACCORD COUVE CONIQUE 1/8	KONISCHES FITTING 1/8
17	WY30499	REGOLAZIONE ARIA	AIR REGULATOR	REGULATEUR DE AIRE	REGLER
18	WY15105	GOMMA AMMORTIZZATORE	RUBBER FOR MOTOR	CAOUTCHOUC POUR MOTEUR	GUMMI x MOTOR
19	WY26319010	MICROPOMPA NMP 830 KNDC 24VDC	MICROPUMP NMP 830 KNDC 24VDC	POMPE MICRO NMP 830 KNDC 24VDC	MIKROPUMPE NMP 830 KNDC 24VDC
20	WY25789321	GICLEUR D.0,5 INOX	GIGLEUR 0,5	GICLEUR D-0,5	DUSE D-0,5
21	WY23272	RONDELLA INOX GROVER D5	STAINLESS WASHER GROVER D5	RONDELLE INOX GROVER D5	STAHLSCHEIBE GROVER D5
22	WY18563006	TRASFORMATORE TOROIDALE 20VA 2x12V	TRANSFORMATOR 20VA	TRASFORMATOR 20VA	TRANSFORMATOR 20VA
23	WY23566	VITE TCEI INOX 5x35 UNI 5931 DIN912	STEEL SCREW TCEI 5x35 UNI 5931 DIN912	VIS INOX TCEI 5x35 UNI 5931 DIN912	STAHLSCHRAUBE TCEI 5x35 UNI 5931 DIN912
24	WY4620233020	RUBINETTO AUTOSTEAMER	TAP AUTOSTEAMER	ROBINET AUTOSTEAMER	HAHN AUTOSTEAMER
25	WY23292005	RONDELLA M24	BUSHEL M24	JOINT M24	DICHTUNG M24
26	WY25384004	DADO OTTONE RUBINETTO A LEVA -12-	BRASS NUT -12-	ECROU LAITON -12-	MESSING-MUTTER -12-
27	WY10452	MOLLA RUBINETTO ACQUA/VAPORE N4	WATER/STEAM TAP SPRING N4	RESSORT DE ROBINET EAU-VAPEUR N4	WASSER/DAMPF HAHNFEDER N4
28	WY15191000	RONDELLA TEFLON DADO CANNA VAPORE	TEFLON BUSHEL FOR STEAM PIPE NUT	JOINT TEFLON	TEFLON-DICHTUNG
29	WY12661	GUARNIZIONE OR CON LUNETTA P.MOLLA	OR REST FOR ST.STEEL STEAM PIPE	OR LUNETTE P.RESSORT TUYAU VAP. INOX	HALBE OR-DICHT.F.FEDER DAMPFROHR ED
30	WY4625657	RONDELLA MOLLA VAPORE CW510L	STEAM SPRING WASHER	RONDELLE RESSORT VAPEUR	SCHEIBE FUR DAMPFEDER
31	WY25763173	KIT AUTOSTEAMER	KIT AUTOSTEAMER	KIT AUTOSTEAMER	KIT AUTOSTEAMER
32	WY20306001	SENSORE NTC K10 AUTOSTEAMER	SENSOR NTC AUTOSTEAMER	SENSOR NTC AUTOSTEAMER	SENSOR NTC AUTOSTEAMER
33	WY22715828	CABLAGGIO SONDA AUTOSTEAMER	CABLE PROBE AUTOMATIC STEAMER	CABLE FICHE VAPEUR AUTOMATIQUE	KABEL ME?SPITZE AUT.DAMPF
34	WY19109001	FUSIBILE 3AG-T1A CSA/UL 6.3x32mm	FUSE 3AG-T1A CSA/UL 6.3x32mm	FUSIBLE 3AG-T1A CSA/UL 6.3x32mm	SCHMELZSICH.3AG-T1A CSA/UL 6.3x32mm
35	WY19123	PORTAFUSIBILE 15A 250V UR CSA	FUSE HOLDER 15A	PORTE-FUSIBLE 15A	SICHERUNGSHALTER 15A
36	WY18080006	CENTRALINA DOPPIO CTR.POMP. INGRANAGGI	GEAR PUMP CONTROL	CENTRALE DE CONTROLE DE POMPE	PUMPE-STEUERGERAT