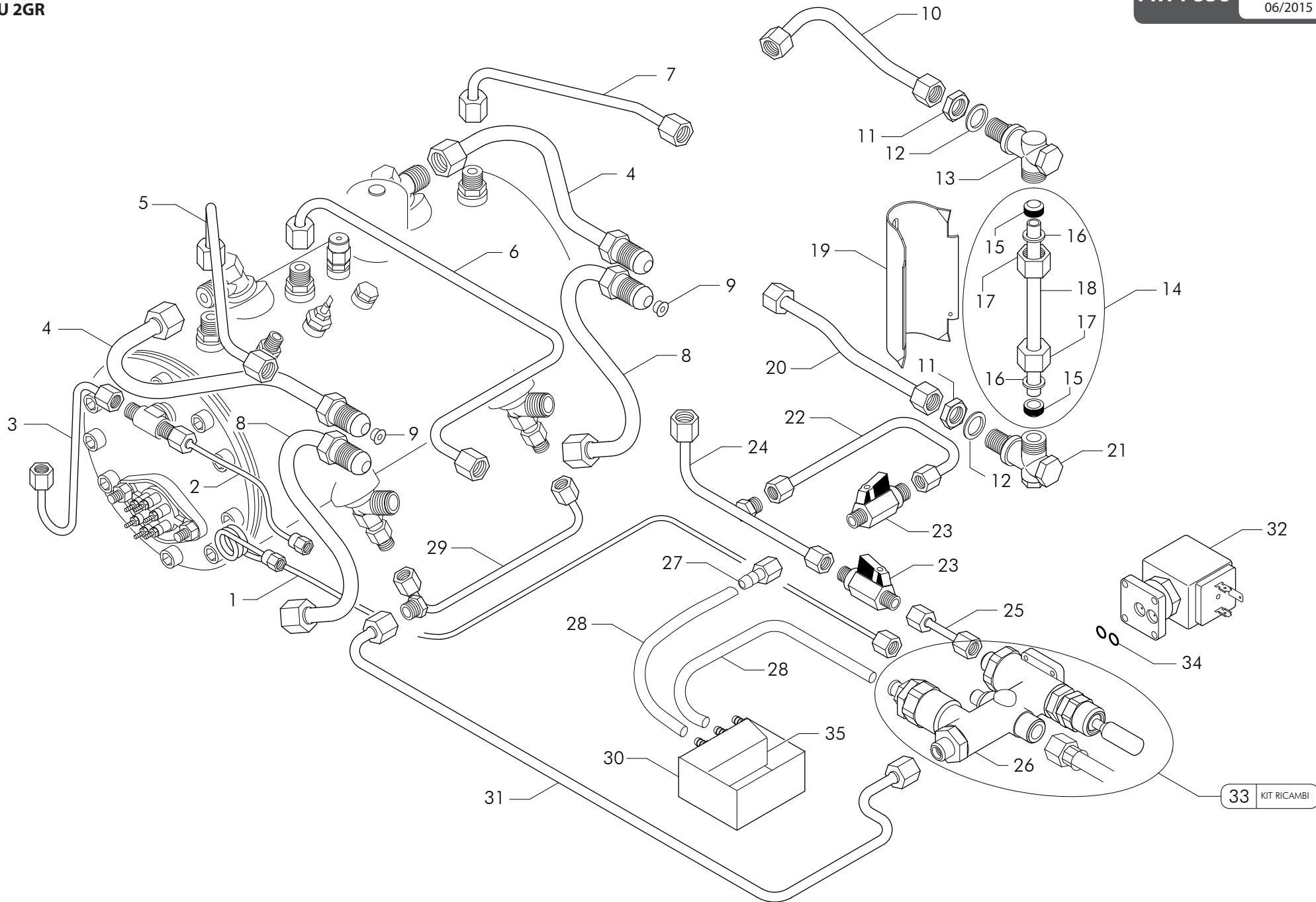


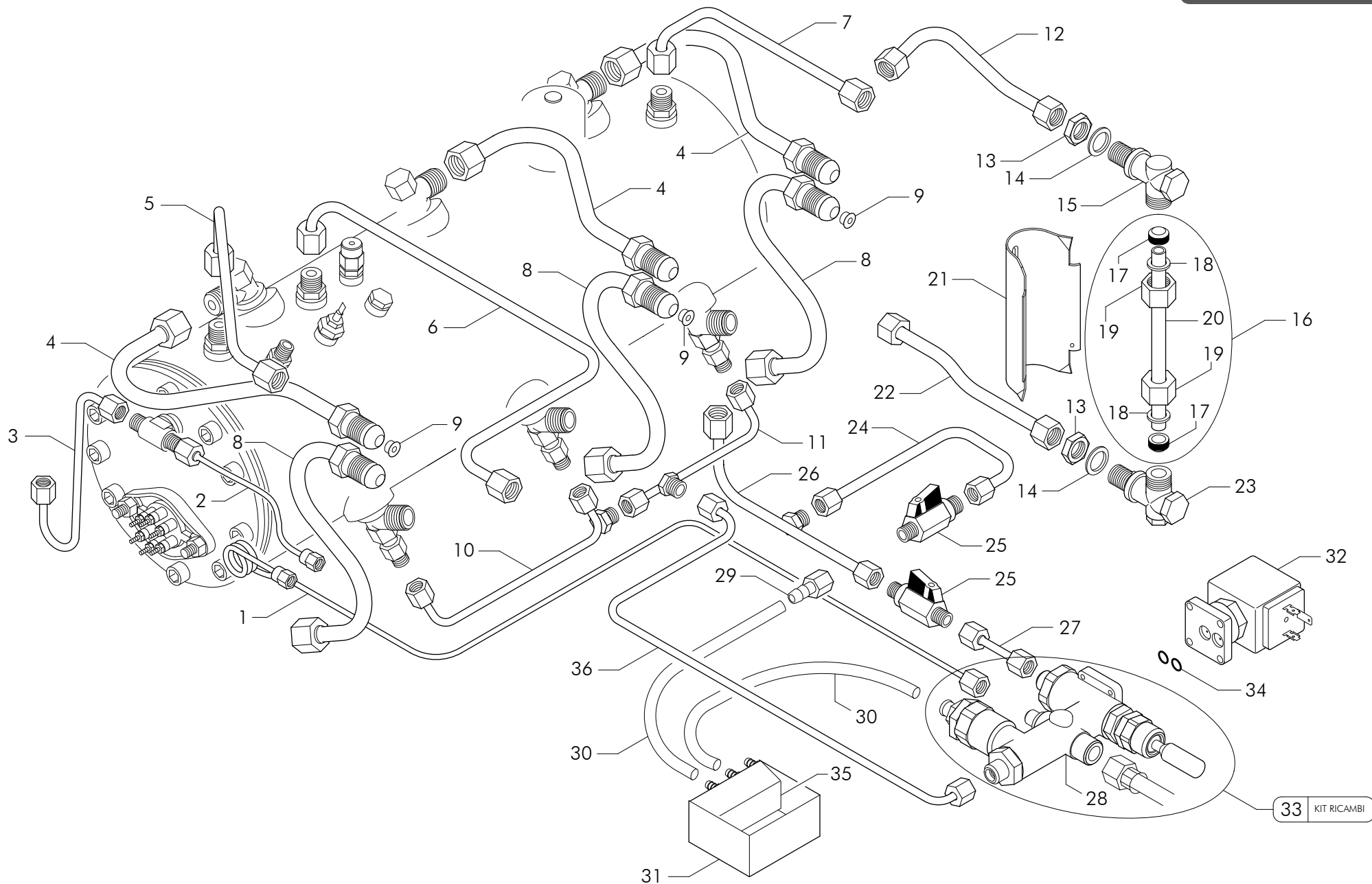
## EPU COMPATTA

| Pos | Cod.         | Denominazione - IT -                     | Denomination - GB -                    | Denomination - FR -                 | Denomination - DE -                   |
|-----|--------------|--|--|-------------------------------------|---------------------------------------|
| 1   | WY4652003320 | TUBO D-6 L.400                           | TUBE D-6 L.400                         | TUYAU D-6 L.400                     | ROHR D-6 L.400                        |
| 2   | WY4652002708 | TUBO D-12 L.295                          | TUBE D-12 L.295                        | TUYAU D-12 L.295                    | ROHR D-12 L.295                       |
| 3   | WY4652002893 | TUBO D-12 L.245                          | TUBE D-12 L.245                        | TUYAU D-12 L.245                    | ROHR D-12 L.245                       |
| 4   | WY4623293000 | STROZZATURA RICIRCOLO D 2.5              | REDUCED CONNECTOR OF GROUP D2.5        | RACCORD REDUIT DU GROUPE D2.5       | VERKLEINERTE FITTING DER GRUPPE D2.5  |
| 5   | WY4652003258 | TUBO D-8 L.310                           | TUBE D-8 L.310                         | TUYAU D-8 L.310                     | ROHR D-8 L.310                        |
| 6   | WY4652003257 | TUBO D-8 L.270                           | TUBE D-8 L.270                         | TUYAU D-8 L.270                     | ROHR D-8 L.270                        |
| 7   | WY4652003255 | TUBO D-6 L.190                           | TUBE D-6 L.190                         | TUYAU D-6 L.190                     | ROHR D-6 L.190                        |
| 8   | WY4625707    | RACCORDO 1/8x1/4 CW510L                  | CONNECTOR 1/8x1/4 CW510L               | RACCORD 1/8x1/4 CW510L              | ANSCHLUSS 1/8x1/4 CW510L              |
| 9   | WY4618162005 | ELETTROVALVOLA AEA 220-240V 50-60Hz      | SOL.VALVE WATER REFILL 220/240 50/60Hz | ELECTROVANNE REA 220/240V 50/60Hz   | ELEKTROVENTIL AWZ 230/250 V 50/60 Hz  |
| 10  | WY4652001433 | TUBO D-4 L.310                           | TUBE D-4 L.310                         | TUYAU D-4 L.310                     | ROHR D-4 L.310                        |
| 11  | WY4652003256 | TUBO D-6 L.85                            | TUBE D-6 L.85                          | TUYAU D-6 L.85                      | ROHR D-6 L.85                         |
| 12  | WY4652003273 | TUBO D-8 L.160                           | TUBE D-8 L.160                         | TUYAU D-8 L.160                     | ROHR D-8 L.160                        |
| 13  | WY4620354001 | VALVOLA CHIUSURA L.40                    | PRESSURE RELEASE TAP BULK UNIT L.40    | CLAPET FERMETURE AUT.ARRIVEE EAU    | ABSPERRVENTIL x AUT.WASSERZUFUHR L.40 |
| 14  | WY4652003014 | TUBO D-6 L.245                           | TUBE D-6 L.245                         | TUYAU D-6 L.245                     | ROHR D-6 L.245                        |
| 15  | WY4652003269 | TUBO D-8 L.165                           | TUBE D-8 L.165                         | TUYAU D-8 L.165                     | ROHR D-8 L.165                        |
| 16  | WY4652001590 | TUBO D-6 L.28                            | TUBE D-6 L.28                          | TUYAU D-6 L.28                      | ROHR D-6 L.28                         |
| 17  | WY4661016001 | DISTRIBUTORE CARICO ACQUA CW510L         | WATER DISTRIBUTION BLOCK               | DISTRIBUTEUR EAU                    | WASSER VERTEILER                      |
| 18  | WY23228025   | RACC.DRITTO 1/4F +PORTAGOMMA D-8 OT/Ni   | HOSE CONNECTION 1/4F D-8               | PORTE-CAOUTCHOUC 1/4F D-8           | GUMMIHALTER 1/4F D-8                  |
| 19  | WY15477014   | TUBO SILICONE PLATINICO 7x11             | SILICON TUBE 7x11                      | TUBE EN SILICONE 7x11               | ROHR SILIKON 7x11                     |
| 20  | WY15422010   | RACCORDO "Y" POLIPROPILENE D-10          | "Y" POLIPROPILENE FITTING              | RACCORD "Y" POLIPROPILENE           | ANSCHLUSS "Y" POLIPROPILENE           |
| 21  | WY23221006   | PORTAGOMMA 1/8M ES10 TUBO D.8 OT SCARICO | HOSE CONNECTION 1/8M                   | PORTE-CAOUTCHOUC 1/8M               | GUMMIHALTER 1/8M                      |
| 22  | WY15502      | VASCHETTA SCARICO ROTONDA D 80           | ROUND DRAIN BASIN D.80mm               | CUVE A VIDANGER RONDE D.80mm        | RUNDE ABFLUSSCHALE D.80mm             |
| 23  | WY4652003275 | TUBO D-6 L.310                           | TUBE D-6 L.310                         | TUYAU D-6 L.310                     | ROHR D-6 L.310                        |
| 24  | WY4652003050 | TUBO D-2 L.500                           | TUBE D-2 L.500                         | TUYAU D-2 L.500                     | ROHR D-2 L.500                        |
| 25  | WY4718159002 | ELETTROVALVOLA AEA 220/240V 50-60H       | SOLENOID VALVE 220/240V 50-60Hz        | ELECTROVANNE 220/240V 50-60Hz       | ELEKTROVENTIL 220/240V 50-60Hz        |
| 25  | WY4718181004 | ELETTROVALVOLA 2V AEA 110-120V/60 NSF    | SOL.VALVE 2V AEA 110-120V/60 NSF       | ELECTROVANNE 2V AEA 110-120V/60 NSF | ELEKTROVENTIL 2V AEA 110-120V/60 NSF  |
| 25  | WY4718181005 | ELETTROVALVOLA 2V AEA 208-240/60 NSF     | EL.2V AEA 208-240/60 2019F1            | ELECTROVANNE 2V AEA 208-240/60 NSF  | ELEKTROVENTIL 2V AEA 20/-240/60 NSF   |
| 26  | WY83120005R  | KIT GUARNIZIONI DISTRIBUTORE MULTIFUNZ.  | GASKET KIT DISTRIBUTOR                 | KIT JOINT DISTRIBUTEUR              | DICHTUNGSSATZ VERTEILER               |
| 27  | WY12305      | GUARNIZIONE OR                           | O RING                                 | JOINT OR                            | O-RINGDICHT                           |



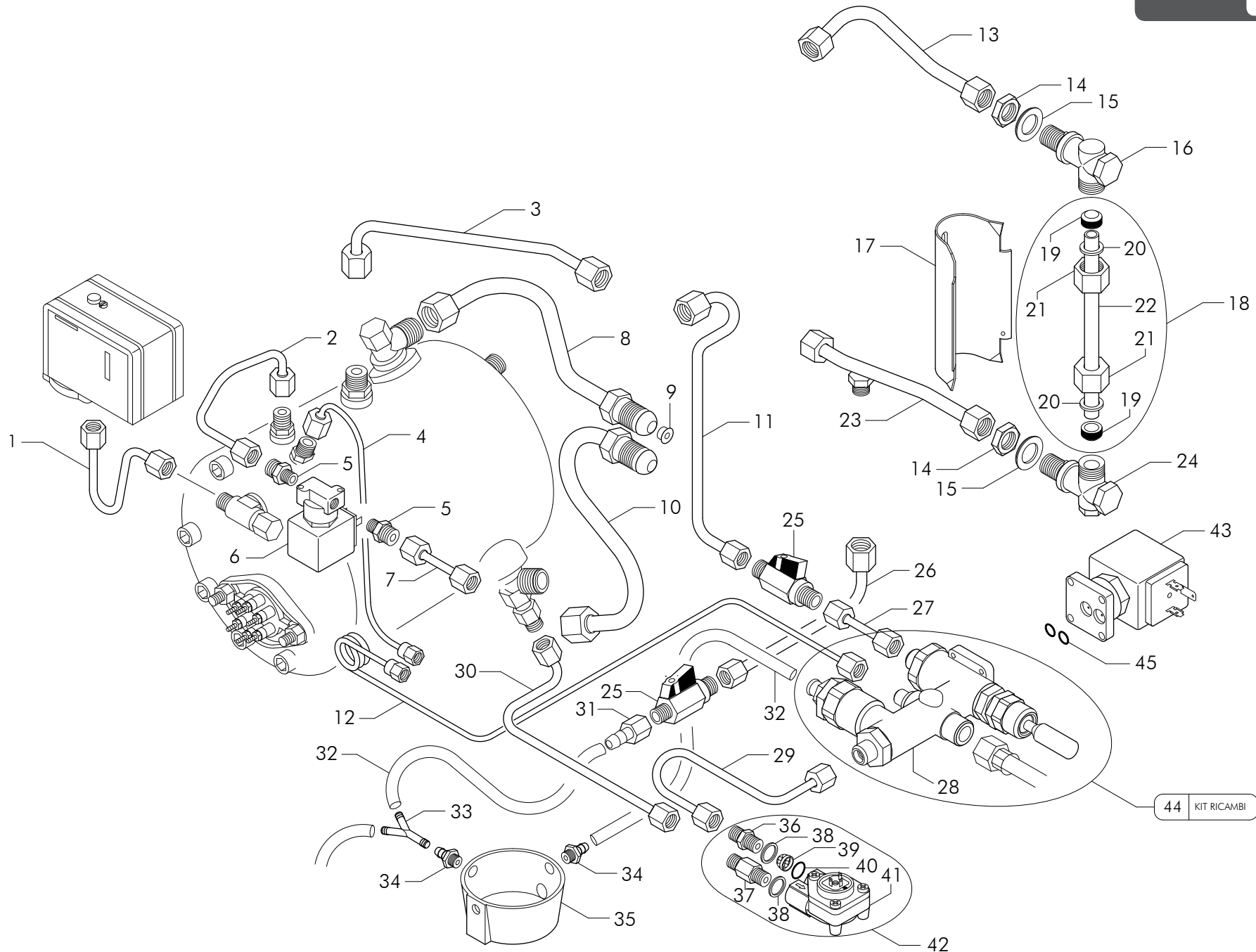
## EPU 2GR

| Pos | Cod.         | Denominazione - IT -                    | Denomination - GB -                 | Denomination - FR -                 | Denomination - DE -                   |
|-----|--------------|---|-------------------------------------|-------------------------------------|---------------------------------------|
| 1   | WY4652003058 | TUBO D-2 L.1000                         | TUBE D-2 L.1000                     | TUYAU D-2 L.1000                    | ROHR D-2 L.1000                       |
| 2   | WY4652001437 | TUBO D-4 L.435                          | TUBE D-4 L.435                      | TUYAU D-4 L.435                     | ROHR D-4 L.435                        |
| 3   | WY4652003248 | TUBO D-6 L.105                          | TUBE D-6 L.105                      | TUYAU D-6 L.105                     | ROHR D-6 L.105                        |
| 4   | WY4652002708 | TUBO D-12 L.295                         | TUBE D-12 L.295                     | TUYAU D-12 L.295                    | ROHR D-12 L.295                       |
| 5   | WY4652003245 | TUBO D-8 L.285                          | TUBE D-8 L.285                      | TUYAU D-8 L.285                     | ROHR D-8 L.285                        |
| 6   | WY4652003247 | TUBO D-8 L.300                          | TUBE D-8 L.300                      | TUYAU D-8 L.300                     | ROHR D-8 L.300                        |
| 7   | WY4652003244 | TUBO D-8 L.285                          | TUBE D-8 L.285                      | TUYAU D-8 L.285                     | ROHR D-8 L.285                        |
| 8   | WY4652002893 | TUBO D-12 L.245                         | TUBE D-12 L.245                     | TUYAU D-12 L.245                    | ROHR D-12 L.245                       |
| 9   | WY4623293000 | STROZZATURA RICIRCOLO D 2.5             | REDUCED CONNECTOR OF GROUP D2.5     | RACCORD REDUIT DU GROUPE D2.5       | VERKLEINERTE FITTING DER GRUPPE D2.5  |
| 9   | WY4623293    | STROZZATURA RICIRCOLO D 4               | REDUCED CONNECTOR OF GROUP D4       | RACCORD REDUIT DU GROUPE D4         | VERKLEINERTE FITTING DER GRUPPE D4    |
| 10  | WY4652002700 | TUBO D-10 L.185                         | TUBE D-10 L.185                     | TUYAU D-10 L.185                    | ROHR D-10 L.185                       |
| 11  | WY25356      | CONTRODADO OTTONE 3/8                   | BRASS LOCK NUT 3/8                  | CONTRE-ECROU LAITON 3/8             | MESSING-GEGENMUTTER 3/8               |
| 12  | WY25651      | RONDELLA OTTONE 3/8                     | BRASS WASHER 3/8                    | RONDELLE LAITON 3/8                 | MESSINGSCHLEIBE 3/8                   |
| 13  | WY4653002    | CORPO LIVELLO SUPERIORE                 | UPPER LEVEL BODY                    | CORPS DE NIVEAU SUPERIEUR           | OBERNIVEAUKORPER                      |
| 14  | WY56001      | ASSIEME TUBO LIVELLO                    | LEVEL TUBE UNIT                     | ENSEMBLE TUBE DE NIVEAU             | ROHRSATZ FUR NIVEAU                   |
| 15  | WY12200      | GUARNIZIONE 16x10x8                     | GASKET 16X10X8                      | JOINT 16X10X8                       | DICHTUNG 16x10x8                      |
| 16  | WY25652      | RONDELLA OTTONE D17.8                   | BRASS WASHER D.17.8                 | RONDELLE LAITON D.17.8              | MESSING-SCHLEIBE D.17.8               |
| 17  | WY25383      | DADO OTTONE M20x1.5                     | BRASS NUT 20X1.5                    | ECROU LAITON 20X1.5                 | MESSING-MUTTER 20x1.5                 |
| 18  | WY21300      | TUBO VETRO LIVELLO 11x8x170             | GLASS LEVEL TUBE 11X8X170           | TUBE NIVEAU EN VERRE 11X8X170       | NIVEAU GLASROHR 11x8x170              |
| 19  | WY44002      | COPRILIVELLO VERNICIATO BIANCO          | LEVEL INDICATOR COVER PAINTED WHITE | COUVRE-NIVEAU LAQUE BLANC           | NIVEAUDECKEL                          |
| 20  | WY4652003232 | TUBO D-10 L.110                         | TUBE D-10 L.110                     | TUYAU D-10 L.110                    | ROHR D-10 L.110                       |
| 21  | WY4656005    | CORPO LIVELLO INFERIORE                 | LOWER LEVEL BODY UNIT               | ENSEMBLE CORPS DE NIVEAU INFERIEUR  | UNTER NIVEAUKORPER                    |
| 22  | WY4652003273 | TUBO D-8 L.160                          | TUBE D-8 L.160                      | TUYAU D-8 L.160                     | ROHR D-8 L.160                        |
| 23  | WY4620354001 | VALVOLA CHIUSURA L.40                   | PRESSURE RELEASE TAP BULK UNIT L.40 | CLAPET FERMETURE AUT.ARRIVEE EAU    | ABSPERRVENTIL x AUT.WASSERZUFUHR L.40 |
| 24  | WY4652003268 | TUBO D-8 L.190                          | TUBE D-8 L.190                      | TUYAU D-8 L.190                     | ROHR D-8 L.190                        |
| 25  | WY4652001590 | TUBO D-6 L.28                           | TUBE D-6 L.28                       | TUYAU D-6 L.28                      | ROHR D-6 L.28                         |
| 26  | WY4661016001 | DISTRIBUTORE CARICO ACQUA CW510L        | WATER DISTRIBUTION BLOCK            | DISTRIBUTEUR EAU                    | WASSER VERTEILER                      |
| 27  | WY23228025   | RACC.DRITTO 1/4F +PORTAGOMMA D-8 OT/Ni  | HOSE CONNECTION 1/4F D-8            | PORTE-CAOUTCHOUC 1/4F D-8           | GUMMIHALTER 1/4F D-8                  |
| 28  | WY15477014   | TUBO SILICONE PLATINICO 7x11            | SILICON TUBE 7x11                   | TUBE EN SILICONE 7x11               | ROHR SILIKON 7x11                     |
| 29  | WY4652003014 | TUBO D-6 L.245                          | TUBE D-6 L.245                      | TUYAU D-6 L.245                     | ROHR D-6 L.245                        |
| 30  | WY15502003   | VASCHETTA SCARICO BACINELLA             | DRAIN PAN                           | DRAIN DE LA BAIGNOIRE               | BADEWANNEABLAUF                       |
| 31  | WY4652003276 | TUBO D-6 L.490                          | TUBE D-6 L.490                      | TUYAU D-6 L.490                     | ROHR D-6 L.490                        |
| 32  | WY4718181005 | ELETTROVALVOLA 2V AEA 208-240/60 NSF    | EL.2V AEA 208-240/60 2019F1         | ELECTROVANNE 2V AEA 208-240/60 NSF  | ELEKTROVENTIL 2V AEA 20/-240/60 NSF   |
| 32  | WY4718159002 | ELETTROVALVOLA AEA 220/240V 50-60H      | SOLENOID VALVE 220/240V 50-60Hz     | ELECTROVANNE 220/240V 50-60Hz       | ELEKTROVENTIL 220/240V 50-60Hz        |
| 32  | WY4718181004 | ELETTROVALVOLA 2V AEA 110-120V/60 NSF   | SOL.VALVE 2V AEA 110-120V/60 NSF    | ELECTROVANNE 2V AEA 110-120V/60 NSF | ELEKTROVENTIL 2V AEA 110-120V/60 NSF  |
| 33  | WY83120005R  | KIT GUARNIZIONI DISTRIBUTORE MULTIFUNZ. | GASKET KIT DISTRIBUTOR              | KIT JOINT DISTRIBUTEUR              | DICHTUNGSSATZ VERTEILER               |
| 34  | WY12305      | GUARNIZIONE OR                          | O RING                              | JOINT OR                            | O-RINGDICHT                           |
| 35  | WY15502002   | PARATIA ROMPIGETTO VASCHETTA SCARICO    | BULKHEAD                            | CLOISON                             | SCHOTT                                |



## EPU 3GR

| Pos | Cod.         | Denominazione - IT -                    | Denomination - GB -                 | Denomination - FR -                 | Denomination - DE -                   |
|-----|--------------|---|-------------------------------------|-------------------------------------|---------------------------------------|
| 1   | WY4652003058 | TUBO D-2 L.1000                         | TUBE D-2 L.1000                     | TUYAU D-2 L.1000                    | ROHR D-2 L.1000                       |
| 2   | WY4652001437 | TUBO D-4 L.435                          | TUBE D-4 L.435                      | TUYAU D-4 L.435                     | ROHR D-4 L.435                        |
| 3   | WY4652003248 | TUBO D-6 L.105                          | TUBE D-6 L.105                      | TUYAU D-6 L.105                     | ROHR D-6 L.105                        |
| 4   | WY4652002708 | TUBO D-12 L.295                         | TUBE D-12 L.295                     | TUYAU D-12 L.295                    | ROHR D-12 L.295                       |
| 5   | WY4652003245 | TUBO D-8 L.285                          | TUBE D-8 L.285                      | TUYAU D-8 L.285                     | ROHR D-8 L.285                        |
| 6   | WY4652003029 | TUBO D-8 L.205                          | TUBE D-8 L.205                      | TUYAU D-8 L.205                     | ROHR D-8 L.205                        |
| 7   | WY4652003244 | TUBO D-8 L.285                          | TUBE D-8 L.285                      | TUYAU D-8 L.285                     | ROHR D-8 L.285                        |
| 8   | WY4652002893 | TUBO D-12 L.245                         | TUBE D-12 L.245                     | TUYAU D-12 L.245                    | ROHR D-12 L.245                       |
| 9   | WY4623293000 | STROZZATURA RICIRCOLO D 2.5             | REDUCED CONNECTOR OF GROUP D2.5     | RACCORD REDUIT DU GROUPE D2.5       | VERKLEINERTE FITTING DER GRUPPE D2.5  |
| 10  | WY4652003014 | TUBO D-6 L.245                          | TUBE D-6 L.245                      | TUYAU D-6 L.245                     | ROHR D-6 L.245                        |
| 11  | WY4652003206 | TUBO D-6 L.475                          | TUBE D-6 L.475                      | TUYAU D-6 L.475                     | ROHR D-6 L.475                        |
| 12  | WY4652002700 | TUBO D-10 L.185                         | TUBE D-10 L.185                     | TUYAU D-10 L.185                    | ROHR D-10 L.185                       |
| 13  | WY25356      | CONTRODADO OTTONE 3/8                   | BRASS LOCK NUT 3/8                  | CONTRE-ECROU LAITON 3/8             | MESSING-GEGENMUTTER 3/8               |
| 14  | WY25651      | RONDELLA OTTONE 3/8                     | BRASS WASHER 3/8                    | RONDELLE LAITON 3/8                 | MESSINGSCHLEIBE 3/8                   |
| 15  | WY4653002    | CORPO LIVELLO SUPERIORE                 | UPPER LEVEL BODY                    | CORPS DE NIVEAU SUPERIEUR           | OBERNIVEAUKORPER                      |
| 16  | WY56001      | ASSIEME TUBO LIVELLO                    | LEVEL TUBE UNIT                     | ENSEMBLE TUBE DE NIVEAU             | ROHRSATZ FUR NIVEAU                   |
| 17  | WY12200      | GUARNIZIONE 16x10x8                     | GASKET 16X10X8                      | JOINT 16X10X8                       | DICHTUNG 16x10x8                      |
| 18  | WY25652      | RONDELLA OTTONE D17.8                   | BRASS WASHER D.17.8                 | RONDELLE LAITON D.17.8              | MESSING-SCHLEIBE D.17.8               |
| 19  | WY25383      | DADO OTTONE M20x1.5                     | BRASS NUT 20X1.5                    | ECROU LAITON 20X1.5                 | MESSING-MUTTER 20x1.5                 |
| 20  | WY21300      | TUBO VETRO LIVELLO 11x8x170             | GLASS LEVEL TUBE 11X8X170           | TUBE NIVEAU EN VERRE 11X8X170       | NIVEAU GLASROHR 11x8x170              |
| 21  | WY44002      | COPRILIVELLO VERNICIATO BIANCO          | LEVEL INDICATOR COVER PAINTED WHITE | COUVRE-NIVEAU LAQUE BLANC           | NIVEAUDECKEL                          |
| 22  | WY4652003232 | TUBO D-10 L.110                         | TUBE D-10 L.110                     | TUYAU D-10 L.110                    | ROHR D-10 L.110                       |
| 23  | WY4656005    | CORPO LIVELLO INFERIORE                 | LOWER LEVEL BODY UNIT               | ENSEMBLE CORPS DE NIVEAU INFERIEUR  | UNTER NIVEAUKORPER                    |
| 24  | WY4652003273 | TUBO D-8 L.160                          | TUBE D-8 L.160                      | TUYAU D-8 L.160                     | ROHR D-8 L.160                        |
| 25  | WY4620354001 | VALVOLA CHIUSURA L.40                   | PRESSURE RELEASE TAP BULK UNIT L.40 | CLAPET FERMETURE AUT.ARRIVEE EAU    | ABSPERRVENTIL x AUT.WASSERZUFUHR L.40 |
| 26  | WY4652003268 | TUBO D-8 L.190                          | TUBE D-8 L.190                      | TUYAU D-8 L.190                     | ROHR D-8 L.190                        |
| 27  | WY4652001590 | TUBO D-6 L.28                           | TUBE D-6 L.28                       | TUYAU D-6 L.28                      | ROHR D-6 L.28                         |
| 28  | WY4661016001 | DISTRIBUTORE CARICO ACQUA CW510L        | WATER DISTRIBUTION BLOCK            | DISTRIBUTEUR EAU                    | WASSER VERTEILER                      |
| 29  | WY23228025   | RACC.DRITTO 1/4F +PORTAGOMMA D-8 OT/Ni  | HOSE CONNECTION 1/4F D-8            | PORTE-CAOUTCHOUC 1/4F D-8           | GUMMIHALTER 1/4F D-8                  |
| 30  | WY15477014   | TUBO SILICONE PLATINICO 7x11            | SILICON TUBE 7x11                   | TUBE EN SILICONE 7x11               | ROHR SILIKON 7x11                     |
| 31  | WY15502003   | VASCHETTA SCARICO BACINELLA             | DRAIN PAN                           | DRAIN DE LA BAIGNOIRE               | BADEWANNEABLAUF                       |
| 32  | WY4718181004 | ELETTROVALVOLA 2V AEA 110-120V/60 NSF   | SOL.VALVE 2V AEA 110-120V/60 NSF    | ELECTROVANNE 2V AEA 110-120V/60 NSF | ELEKTROVENTIL 2V AEA 110-120V/60 NSF  |
| 32  | WY4718181005 | ELETTROVALVOLA 2V AEA 208-240/60 NSF    | EL.2V AEA 208-240/60 2019F1         | ELECTROVANNE 2V AEA 208-240/60 NSF  | ELEKTROVENTIL 2V AEA 20/-240/60 NSF   |
| 32  | WY4718159002 | ELETTROVALVOLA AEA 220/240V 50-60Hz     | SOLENOID VALVE 220/240V 50-60Hz     | ELECTROVANNE 220/240V 50-60Hz       | ELEKTROVENTIL 220/240V 50-60Hz        |
| 33  | WY83120005R  | KIT GUARNIZIONI DISTRIBUTORE MULTIFUNZ. | GASKET KIT DISTRIBUTOR              | KIT JOINT DISTRIBUTEUR              | DICHTUNGSSATZ VERTEILER               |
| 34  | WY12305      | GUARNIZIONE OR                          | O RING                              | JOINT OR                            | O-RINGDICHT                           |
| 35  | WY15502002   | PARATIA ROMPIGETTO VASCHETTA SCARICO    | BULKHEAD                            | CLOISON                             | SCHOTT                                |
| 36  | WY4652003274 | TUBO D-6 L.350                          | TUBE D-6 L.350                      | TUYAU D-6 L.350                     | ROHR D-6 L.350                        |





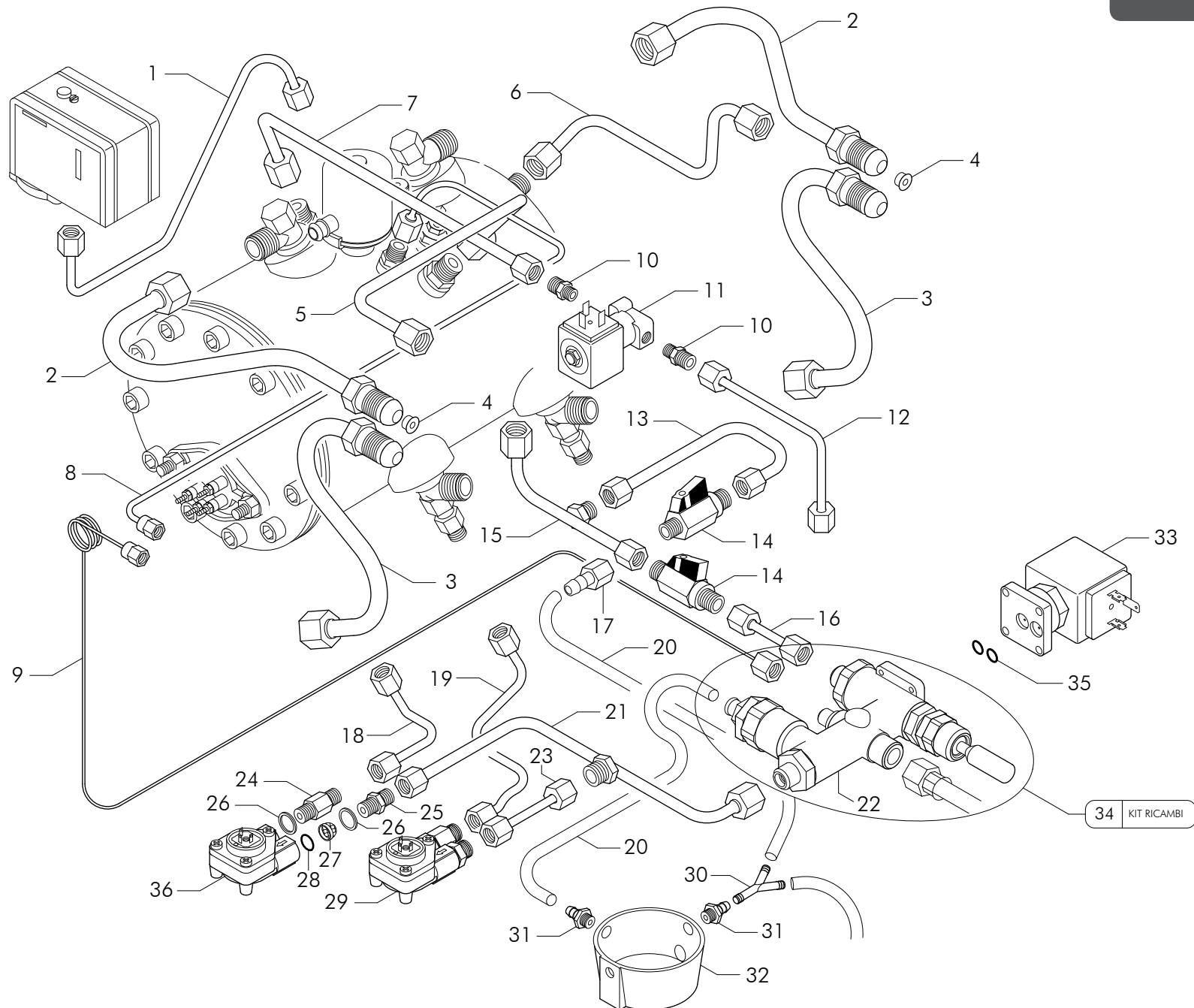
## EVD 1GR

| Pos | Cod.         | Denominazione - IT -                     | Denomination - GB -                     | Denomination - FR -                   | Denomination - DE -                    |
|-----|--------------|--|---|---------------------------------------|--|
| 1   | WY4652003265 | TUBO D-6 L.155                           | TUBE D-6 L.155                          | TUYAU D-6 L.155                       | ROHR D-6 L.155                         |
| 2   | WY4652003259 | TUBO D-6 L.165                           | TUBE D-6 L.165                          | TUYAU D-6 L.165                       | ROHR D-6 L.165                         |
| 3   | WY4652003260 | TUBO D-8 L.355                           | TUBE D-8 L.355                          | TUYAU D-8 L.355                       | ROHR D-8 L.355                         |
| 4   | WY4652001433 | TUBO D-4 L.310                           | TUBE D-4 L.310                          | TUYAU D-4 L.310                       | ROHR D-4 L.310                         |
| 5   | WY4625707    | RACCORDO 1/8x1/4 CW510L                  | CONNECTOR 1/8x1/4 CW510L                | RACCORD 1/8x1/4 CW510L                | ANSCHLUSS 1/8x1/4 CW510L               |
| 6   | WY4618162004 | ELETTROVALVOLA AEA 220-240V 50-60Hz NSF  | SOL.VALVE WATER REFILL 220/240 50/60HZ  | ELECTROVANNE REA 220/240V 50/60Hz     | ELEKTROVENTIL AWZ 230/250 V 50/60 Hz   |
| 6   | WY4618195    | ELETTROVALVOLA AEA 110-120V 50-60Hz NSF  | SOL.VALVE WATER REFILL 110/120V 50/60HZ | ELECTROVANNE REA 110/120V 50/60Hz NSF | ELEKTROVENTIL AWZ 110/120V 50/60Hz NSF |
| 7   | WY4652000202 | TUBO D-6 L.65                            | TUBE D-6 L.65                           | TUYAU D-6 L.65                        | ROHR D. 6 L.65                         |
| 8   | WY4652002707 | TUBO D-12 L.310                          | TUBE D-12 L.310                         | TUYAU D-12 L.310                      | ROHR D-12 L.310                        |
| 9   | WY4623293000 | STROZZATURA RICIRCOLO D 2.5              | REDUCED CONNECTOR OF GROUP D2.5         | RACCORD REDUIT DU GROUPE D2.5         | VERKLEINERTE FITTING DER GRUPPE D2.5   |
| 9   | WY4623293    | STROZZATURA RICIRCOLO D 4                | REDUCED CONNECTOR OF GROUP D4           | RACCORD REDUIT DU GROUPE D4           | VERKLEINERTE FITTING DER GRUPPE D4     |
| 10  | WY4652002893 | TUBO D-12 L.245                          | TUBE D-12 L.245                         | TUYAU D-12 L.245                      | ROHR D-12 L.245                        |
| 11  | WY4652003277 | TUBO D-8 L.320                           | TUBE D-8 L.320                          | TUYAU D-8 L.320                       | ROHR D-8 L.320                         |
| 12  | WY4652003050 | TUBO D-2 L.500                           | TUBE D-2 L.500                          | TUYAU D-2 L.500                       | ROHR D-2 L.500                         |
| 13  | WY4652002700 | TUBO D-10 L.185                          | TUBE D-10 L.185                         | TUYAU D-10 L.185                      | ROHR D-10 L.185                        |
| 14  | WY25356      | CONTRODADO OTTONE 3/8                    | BRASS LOCK NUT 3/8                      | CONTRE-ECROU LAITON 3/8               | MESSING-GEGENMUTTER 3/8                |
| 15  | WY25651      | RONDELLA OTTONE 3/8                      | BRASS WASHER 3/8                        | RONDELLE LAITON 3/8                   | MESSINGSCHLEIBE 3/8                    |
| 16  | WY4653002    | CORPO LIVELLO SUPERIORE                  | UPPER LEVEL BODY                        | CORPS DE NIVEAU SUPERIEUR             | OBERNIVEAUKORPER                       |
| 17  | WY44002      | COPRILIVELLO VERNICIATO BIANCO           | LEVEL INDICATOR COVER PAINTED WHITE     | COUVRE-NIVEAU LAQUE BLANC             | NIVEAUDECKEL                           |
| 18  | WY56001      | ASSIEME TUBO LIVELLO                     | LEVEL TUBE UNIT                         | ENSEMBLE TUBE DE NIVEAU               | ROHRSATZ FUR NIVEAU                    |
| 19  | WY12200      | GUARNIZIONE 16x10x8                      | GASKET 16X10X8                          | JOINT 16X10X8                         | DICHTUNG 16x10x8                       |
| 20  | WY25652      | RONDELLA OTTONE D17.8                    | BRASS WASHER D.17.8                     | RONDELLE LAITON D.17.8                | MESSING-SCHLEIBE D.17.8                |
| 21  | WY25383      | DADO OTTONE M20x1.5                      | BRASS NUT 20X1.5                        | ECROU LAITON 20X1.5                   | MESSING-MUTTER 20x1.5                  |
| 22  | WY21300      | TUBO VETRO LIVELLO 11x8x170              | GLASS LEVEL TUBE 11X8X170               | TUBE NIVEAU EN VERRE 11X8X170         | NIVEAU GLASROHR 11x8x170               |
| 23  | WY4652003262 | TUBO D-10 L.100                          | TUBE D-10 L.100                         | TUYAU D-10 L.100                      | ROHR D-10 L.100                        |
| 24  | WY4656005    | CORPO LIVELLO INFERIORE                  | LOWER LEVEL BODY UNIT                   | ENSEMBLE CORPS DE NIVEAU INFERIEUR    | UNTER NIVEAUKORPER                     |
| 25  | WY4620354001 | VALVOLA CHIUSURA L.40                    | PRESSURE RELEASE TAP BULK UNIT L.40     | CLAPET FERMETURE AUT.ARRIVEE EAU      | ABSPERRVENTIL x AUT.WASSERZUFUHR L.40  |
| 26  | WY4652003278 | TUBO D-8 L.230                           | TUBE D-8 L.230                          | TUYAU D-8 L.230                       | ROHR D-8 L.230                         |
| 27  | WY4652001590 | TUBO D-6 L.28                            | TUBE D-6 L.28                           | TUYAU D-6 L.28                        | ROHR D-6 L.28                          |
| 28  | WY4661016001 | DISTRIBUTORE CARICO ACQUA CW510L         | WATER DISTRIBUTION BLOCK                | DISTRIBUTEUR EAU                      | WASSER VERTEILER                       |
| 29  | WY4652003280 | TUBO D-6 L.215                           | TUBE D-6 L.215                          | TUYAU D-6 L.215                       | ROHR D-6 L.215                         |
| 30  | WY4652003205 | TUBO D-6 L.230                           | TUBE D-6 L.230                          | TUYAU D-6 L.230                       | ROHR D-6 L.230                         |
| 31  | WY23228025   | RACC.DRITTO 1/4F +PORTAGOMMA D-8 OT/Ni   | HOSE CONNECTION 1/4F D-8                | PORTE-CAOUTCHOUC 1/4F D-8             | GUMMIHALTER 1/4F D-8                   |
| 32  | WY15477014   | TUBO SILICONE PLATINICO 7x11             | SILICON TUBE 7x11                       | TUBE EN SILICONE 7x11                 | ROHR SILIKON 7x11                      |
| 33  | WY15422010   | RACCORDO "Y" POLIPROPILENE D-10          | "Y" POLIPROPILENE FITTING               | RACCORD "Y" POLIPROPILENE             | ANSCHLUSS "Y" POLIPROPILENE            |
| 34  | WY23221006   | PORTAGOMMA 1/8M ES10 TUBO D.8 OT SCARICO | HOSE CONNECTION 1/8M                    | PORTE-CAOUTCHOUC 1/8M                 | GUMMIHALTER 1/8M                       |



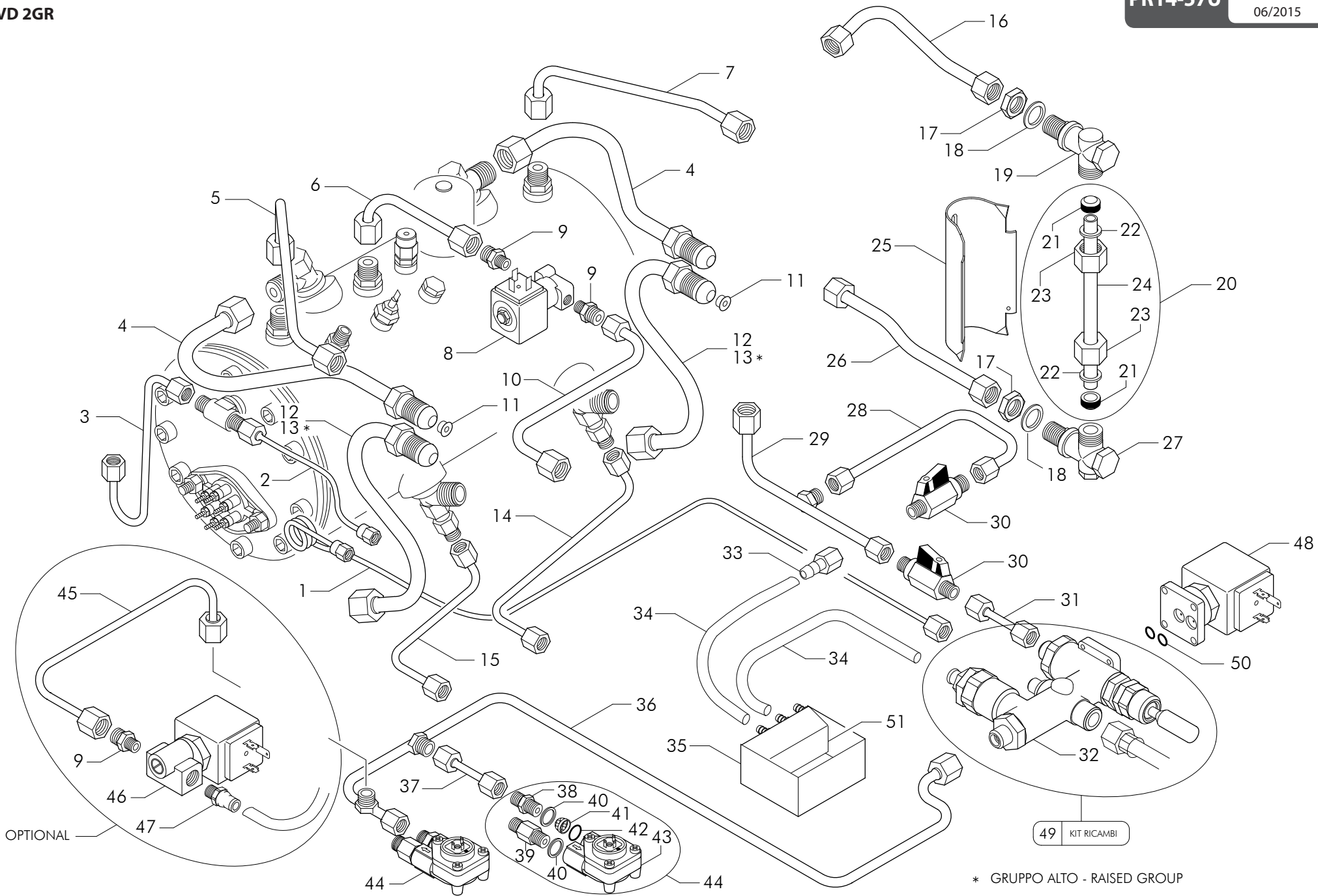
## EVD 1GR

| Pos | Cod.         | Denominazione - IT -                    | Denomination - GB -              | Denomination - FR -                 | Denomination - DE -                  |
|-----|--------------|---|----------------------------------|-------------------------------------|--------------------------------------|
| 35  | WY15502      | VASCHETTA SCARICO ROTONDA D 80          | ROUND DRAIN BASIN D.80mm         | CUVE A VIDANGER RONDE D.80mm        | RUNDE ABFLUSSCHALE D.80mm            |
| 36  | WY4625686    | RACCORDO 1/4Mx1/4M                      | CONNECTOR 1/4Mx1/4M              | RACCORD 1/4Mx1/4M                   | ANSCHLUSS 1/4Mx1/4M                  |
| 37  | WY4625708    | RACCORDO 1/4x1/4 CW510L                 | 1/4X1/4 CW510L FITTING           | RACCORD 1/4X1/4 CW510L              | ANSCHLUSS 1/4X1/4 CW510L             |
| 38  | WY12153      | GUARNIZIONE RAME 1/4 17x13.3x1.5        | GASKET 1/4 17x13.3x1.5 COPPER    | JOINT CUIVRE 1/4 17x13.3x1.5        | KUPFERDICHTUNG 1/4 17x13.3x1.5       |
| 39  | WY10254      | FILTRO ACCIAIO 160-200 MESH             | STEEL FILTER 160-200 MESH        | FILTRE EN ACIER 160-200 MESH        | STAHLFILTER 160-200 MESH             |
| 40  | WY12329      | GUARNIZIONE OR HNBR 7.66xW1.78          | GASKET OR HNBR 7.66xW1.78        | JOINT OR HNBR 7.66x1.78             | OR DICHTUNG HNBR 7.66xW1.78          |
| 41  | WY4618126    | DOSATORE FLOWMETER                      | FLOWMETER DOSER                  | KIT DOSEUR                          | DOSIERER                             |
| 42  | WY4656122000 | ASSIEME DOSATORE CW510L                 | DOSER KIT CW510L                 | KIT DOSEUR CW510L                   | DOSIERER CW510L                      |
| 43  | WY4718159002 | ELETTROVALVOLA AEA 220/240V 50-60H      | SOLENOID VALVE 220/240V 50-60Hz  | ELECTROVANNE 220/240V 50-60Hz       | ELEKTROVENTIL 220/240V 50-60Hz       |
| 43  | WY4718181004 | ELETTROVALVOLA 2V AEA 110-120V/60 NSF   | SOL.VALVE 2V AEA 110-120V/60 NSF | ELECTROVANNE 2V AEA 110-120V/60 NSF | ELEKTROVENTIL 2V AEA 110-120V/60 NSF |
| 43  | WY4718181005 | ELETTROVALVOLA 2V AEA 208-240/60 NSF    | EL.2V AEA 208-240/60 2019F1      | ELECTROVANNE 2V AEA 208-240/60 NSF  | ELEKTROVENTIL 2V AEA 20/-240/60 NSF  |
| 44  | WY83120005R  | KIT GUARNIZIONI DISTRIBUTORE MULTIFUNZ. | GASKET KIT DISTRIBUTOR           | KIT JOINT DISTRIBUTEUR              | DICHTUNGSSATZ VERTEILER              |
| 45  | WY12305      | GUARNIZIONE OR                          | O RING                           | JOINT OR                            | O-RINGDICHT                          |



## EVD COMPATTA

| Pos | Cod.         | Denominazione - IT -                     | Denomination - GB -                    | Denomination - FR -                 | Denomination - DE -                   |
|-----|--------------|--|--|-------------------------------------|---------------------------------------|
| 1   | WY4652003320 | TUBO D-6 L.400                           | TUBE D-6 L.400                         | TUYAU D-6 L.400                     | ROHR D-6 L.400                        |
| 2   | WY4652002708 | TUBO D-12 L.295                          | TUBE D-12 L.295                        | TUYAU D-12 L.295                    | ROHR D-12 L.295                       |
| 3   | WY4652002893 | TUBO D-12 L.245                          | TUBE D-12 L.245                        | TUYAU D-12 L.245                    | ROHR D-12 L.245                       |
| 4   | WY4623293    | STROZZATURA RICIRCOLO D 4                | REDUCED CONNECTOR OF GROUP D4          | RACCORD REDUIT DU GROUPE D4         | VERKLEINERTE FITTING DER GRUPPE D4    |
| 4   | WY4623293000 | STROZZATURA RICIRCOLO D 2.5              | REDUCED CONNECTOR OF GROUP D2.5        | RACCORD REDUIT DU GROUPE D2.5       | VERKLEINERTE FITTING DER GRUPPE D2.5  |
| 5   | WY4652003258 | TUBO D-8 L.310                           | TUBE D-8 L.310                         | TUYAU D-8 L.310                     | ROHR D-8 L.310                        |
| 6   | WY4652003257 | TUBO D-8 L.270                           | TUBE D-8 L.270                         | TUYAU D-8 L.270                     | ROHR D-8 L.270                        |
| 7   | WY4652003255 | TUBO D-6 L.190                           | TUBE D-6 L.190                         | TUYAU D-6 L.190                     | ROHR D-6 L.190                        |
| 8   | WY4652001433 | TUBO D-4 L.310                           | TUBE D-4 L.310                         | TUYAU D-4 L.310                     | ROHR D-4 L.310                        |
| 9   | WY4652003050 | TUBO D-2 L.500                           | TUBE D-2 L.500                         | TUYAU D-2 L.500                     | ROHR D-2 L.500                        |
| 10  | WY4625707    | RACCORDO 1/8x1/4 CW510L                  | CONNECTOR 1/8x1/4 CW510L               | RACCORD 1/8x1/4 CW510L              | ANSCHLUSS 1/8x1/4 CW510L              |
| 11  | WY4618162005 | ELETTROVALVOLA AEA 220-240V 50-60Hz      | SOL.VALVE WATER REFILL 220/240 50/60HZ | ELECTROVANNE REA 220/240V 50/60Hz   | ELEKTROVENTIL AWZ 230/250 V 50/60 Hz  |
| 12  | WY4652003256 | TUBO D-6 L.85                            | TUBE D-6 L.85                          | TUYAU D-6 L.85                      | ROHR D-6 L.85                         |
| 13  | WY4652003273 | TUBO D-8 L.160                           | TUBE D-8 L.160                         | TUYAU D-8 L.160                     | ROHR D-8 L.160                        |
| 14  | WY4620354001 | VALVOLA CHIUSURA L.40                    | PRESSURE RELEASE TAP BULK UNIT L.40    | CLAPET FERMETURE AUT.ARRIVEE EAU    | ABSPERRVENTIL x AUT.WASSERZUFUHR L.40 |
| 15  | WY4652003269 | TUBO D-8 L.165                           | TUBE D-8 L.165                         | TUYAU D-8 L.165                     | ROHR D-8 L.165                        |
| 16  | WY4652001590 | TUBO D-6 L.28                            | TUBE D-6 L.28                          | TUYAU D-6 L.28                      | ROHR D-6 L.28                         |
| 17  | WY23228025   | RACC.DRITTO 1/4F +PORTAGOMMA D-8 OT/Ni   | HOSE CONNECTION 1/4F D-8               | PORTE-CAOUTCHOUC 1/4F D-8           | GUMMIHALTER 1/4F D-8                  |
| 18  | WY4652003308 | TUBO D-6 L.150                           | TUBE D-6 L.150                         | TUYAU D-6 L.150                     | ROHR D-6 L.150                        |
| 19  | WY4652003307 | TUBO D-6 L.300                           | TUBE D-6 L.300                         | TUYAU D-6 L.300                     | ROHR D-6 L.300                        |
| 20  | WY15477014   | TUBO SILICONE PLATINICO 7x11             | SILICON TUBE 7x11                      | TUBE EN SILICONE 7x11               | ROHR SILIKON 7x11                     |
| 21  | WY4652003272 | TUBO D-6 L.200                           | TUBE D-6 L.200                         | TUYAU D-6 L.200                     | ROHR D-6 L.200                        |
| 22  | WY4661016001 | DISTRIBUTORE CARICO ACQUA CW510L         | WATER DISTRIBUTION BLOCK               | DISTRIBUTEUR EAU                    | WASSER VERTEILER                      |
| 23  | WY4652001428 | TUBO D-6 L.50                            | TUBE D-6 L.50                          | TUYAU D-6 L.50                      | ROHR D-6 L.50                         |
| 24  | WY4625708    | RACCORDO 1/4x1/4 CW510L                  | 1/4X1/4 CW510L FITTING                 | RACCORD 1/4X1/4 CW510L              | ANSCHLUSS 1/4X1/4 CW510L              |
| 25  | WY4625686    | RACCORDO 1/4Mx1/4M                       | CONNECTOR 1/4Mx1/4M                    | RACCORD 1/4Mx1/4M                   | ANSCHLUSS 1/4Mx1/4M                   |
| 26  | WY25383      | DADO OTTONE M20x1.5                      | BRASS NUT 20X1.5                       | ECROU LAITON 20X1.5                 | MESSING-MUTTER 20x1.5                 |
| 27  | WY10254      | FILTRO ACCIAIO 160-200 MESH              | STEEL FILTER 160-200 MESH              | FILTRE EN ACIER 160-200 MESH        | STAHLFILTER 160-200 MESH              |
| 28  | WY12312      | GUARNIZIONE OR FILTRO AEA 10x2           | O RING FOR WATER REFILL FILTER 10x2    | JOINT OR FILTRE AUT.REM.EAU 10X2    | OR DICHTUNG FUR WASSERFULLUNGFILTER   |
| 29  | WY4656122000 | ASSIEME DOSATORE CW510L                  | DOSEUR KIT CW510L                      | KIT DOSEUR CW510L                   | DOSIERER CW510L                       |
| 30  | WY15422010   | RACCORDO "Y" POLIPROPILENE D-10          | "Y" POLIPROPILENE FITTING              | RACCORD "Y" POLIPROPILENE           | ANSCHLUSS "Y" POLIPROPILENE           |
| 31  | WY23221006   | PORTAGOMMA 1/8M ES10 TUBO D.8 OT SCARICO | HOSE CONNECTION 1/8M                   | PORTE-CAOUTCHOUC 1/8M               | GUMMIHALTER 1/8M                      |
| 32  | WY15502      | VASCETTA SCARICO ROTONDA D 80            | ROUND DRAIN BASIN D.80mm               | CUVE A VIDANGER RONDE D.80mm        | RUNDE ABFLUSSCHALE D.80mm             |
| 33  | WY4718159002 | ELETTROVALVOLA AEA 220/240V 50-60Hz      | SOLENOID VALVE 220/240V 50-60Hz        | ELECTROVANNE 220/240V 50-60Hz       | ELEKTROVENTIL 220/240V 50-60Hz        |
| 33  | WY4718181004 | ELETTROVALVOLA 2V AEA 110-120V/60 NSF    | SOL.VALVE 2V AEA 110-120V/60 NSF       | ELECTROVANNE 2V AEA 110-120V/60 NSF | ELEKTROVENTIL 2V AEA 110-120V/60 NSF  |
| 33  | WY4718181005 | ELETTROVALVOLA 2V AEA 208-240/60 NSF     | EL.2V AEA 208-240/60 2019F1            | ELECTROVANNE 2V AEA 208-240/60 NSF  | ELEKTROVENTIL 2V AEA 20/-240/60 NSF   |
| 34  | WY83120005R  | KIT GUARNIZIONI DISTRIBUTORE MULTIFUNZ.  | GASKET KIT DISTRIBUTOR                 | KIT JOINT DISTRIBUTEUR              | DICHTUNGSSATZ VERTEILER               |
| 35  | WY12305      | GUARNIZIONE OR                           | O RING                                 | JOINT OR                            | O-RINGDICHT                           |
| 36  | WY4618126    | DOSATORE FLOWMETER                       | FLOWMETER DOSER                        | KIT DOSEUR                          | DOSIERER                              |

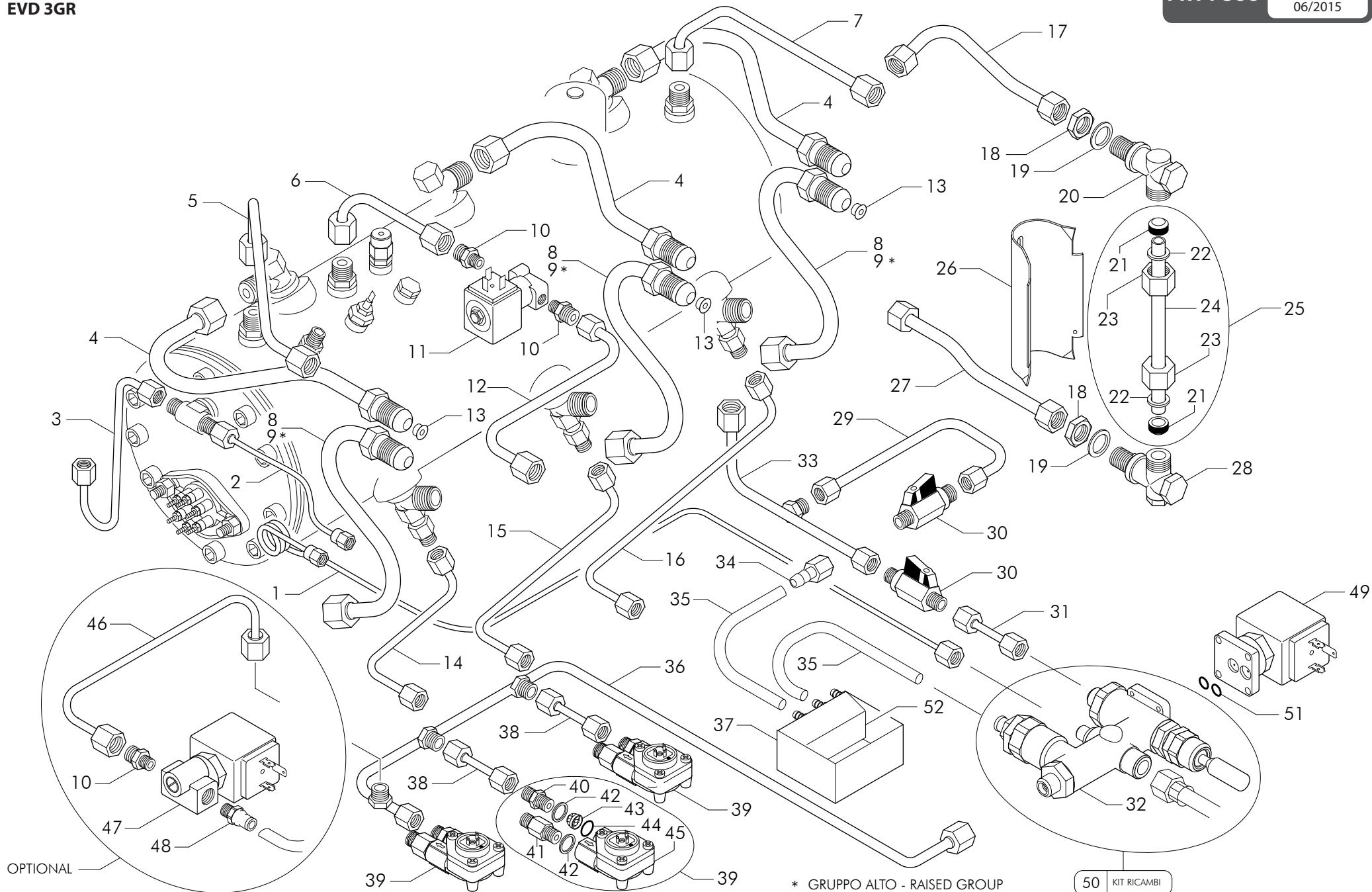


## EVD 2GR

| Pos | Cod.         | Denominazione - IT -                   | Denomination - GB -                    | Denomination - FR -                | Denomination - DE -                   |
|-----|--------------|--|--|------------------------------------|---------------------------------------|
| 1   | WY4652003058 | TUBO D-2 L.1000                        | TUBE D-2 L.1000                        | TUYAU D-2 L.1000                   | ROHR D-2 L.1000                       |
| 2   | WY4652001437 | TUBO D-4 L.435                         | TUBE D-4 L.435                         | TUYAU D-4 L.435                    | ROHR D-4 L.435                        |
| 3   | WY4652003248 | TUBO D-6 L.105                         | TUBE D-6 L.105                         | TUYAU D-6 L.105                    | ROHR D-6 L.105                        |
| 4   | WY4652002708 | TUBO D-12 L.295                        | TUBE D-12 L.295                        | TUYAU D-12 L.295                   | ROHR D-12 L.295                       |
| 5   | WY4652003245 | TUBO D-8 L.285                         | TUBE D-8 L.285                         | TUYAU D-8 L.285                    | ROHR D-8 L.285                        |
| 6   | WY4652003029 | TUBO D-8 L.205                         | TUBE D-8 L.205                         | TUYAU D-8 L.205                    | ROHR D-8 L.205                        |
| 7   | WY4652003244 | TUBO D-8 L.285                         | TUBE D-8 L.285                         | TUYAU D-8 L.285                    | ROHR D-8 L.285                        |
| 8   | WY4618162005 | ELETTROVALVOLA AEA 220-240V 50-60Hz    | SOL.VALVE WATER REFILL 220/240 50/60HZ | ELECTROVANNE REA 220/240V 50/60Hz  | ELEKTROVENTIL AWZ 230/250 V 50/60 Hz  |
| 9   | WY4625707    | RACCORDO 1/8x1/4 CW510L                | CONNECTOR 1/8x1/4 CW510L               | RACCORD 1/8x1/4 CW510L             | ANSCHLUSS 1/8x1/4 CW510L              |
| 10  | WY4652003246 | TUBO D-8 L.390                         | TUBE D-8 L.390                         | TUYAU D-8 L.390                    | ROHR D-8 L.390                        |
| 11  | WY4623293000 | STROZZATURA RICIRCOLO D 2.5            | REDUCED CONNECTOR OF GROUP D2.5        | RACCORD REDUIT DU GROUPE D2.5      | VERKLEINERTE FITTING DER GRUPPE D2.5  |
| 12  | WY4652002893 | TUBO D-12 L.245                        | TUBE D-12 L.245                        | TUYAU D-12 L.245                   | ROHR D-12 L.245                       |
| 13  | WY4652002979 | TUBO D-12 L.275                        | TUBE D-12 L.275                        | TUYAU D-12 L.275                   | ROHR D-12 L.275                       |
| 14  | WY4652003205 | TUBO D-6 L.230                         | TUBE D-6 L.230                         | TUYAU D-6 L.230                    | ROHR D-6 L.230                        |
| 15  | WY4652003204 | TUBO D-6 L.320                         | TUBE D-6 L.320                         | TUYAU D-6 L.320                    | ROHR D-6 L.320                        |
| 16  | WY4652002700 | TUBO D-10 L.185                        | TUBE D-10 L.185                        | TUYAU D-10 L.185                   | ROHR D-10 L.185                       |
| 17  | WY25356      | CONTRODADO OTTONE 3/8                  | BRASS LOCK NUT 3/8                     | CONTRE-ECROU LAITON 3/8            | MESSING-GEGENMUTTER 3/8               |
| 18  | WY25651      | RONDELLA OTTONE 3/8                    | BRASS WASHER 3/8                       | RONDELLE LAITON 3/8                | MESSINGSCHIEBE 3/8                    |
| 19  | WY4653002    | CORPO LIVELLO SUPERIORE                | UPPER LEVEL BODY                       | CORPS DE NIVEAU SUPERIEUR          | OBERNIVEAUKORPER                      |
| 20  | WY56001      | ASSIEME TUBO LIVELLO                   | LEVEL TUBE UNIT                        | ENSEMBLE TUBE DE NIVEAU            | ROHRSATZ FUR NIVEAU                   |
| 21  | WY12200      | GUARNIZIONE 16x10x8                    | GASKET 16X10X8                         | JOINT 16X10X8                      | DICHTUNG 16x10x8                      |
| 22  | WY25652      | RONDELLA OTTONE D17.8                  | BRASS WASHER D.17.8                    | RONDELLE LAITON D.17.8             | MESSING-SCHIEBE D.17.8                |
| 23  | WY25383      | DADO OTTONE M20x1.5                    | BRASS NUT 20X1.5                       | ECROU LAITON 20X1.5                | MESSING-MUTTER 20x1.5                 |
| 24  | WY21300      | TUBO VETRO LIVELLO 11x8x170            | GLASS LEVEL TUBE 11X8X170              | TUBE NIVEAU EN VERRE 11X8X170      | NIVEAU GLASROHR 11x8x170              |
| 25  | WY44002      | COPRILIVELLO VERNICIATO BIANCO         | LEVEL INDICATOR COVER PAINTED WHITE    | COUVRE-NIVEAU LAQUE BLANC          | NIVEAUDECKEL                          |
| 26  | WY4652003232 | TUBO D-10 L.110                        | TUBE D-10 L.110                        | TUYAU D-10 L.110                   | ROHR D-10 L.110                       |
| 27  | WY4656005    | CORPO LIVELLO INFERIORE                | LOWER LEVEL BODY UNIT                  | ENSEMBLE CORPS DE NIVEAU INFERIEUR | UNTER NIVEAUKORPER                    |
| 28  | WY4652003273 | TUBO D-8 L.160                         | TUBE D-8 L.160                         | TUYAU D-8 L.160                    | ROHR D-8 L.160                        |
| 29  | WY4652003268 | TUBO D-8 L.190                         | TUBE D-8 L.190                         | TUYAU D-8 L.190                    | ROHR D-8 L.190                        |
| 30  | WY4620354001 | VALVOLA CHIUSURA L.40                  | PRESSURE RELEASE TAP BULK UNIT L.40    | CLAPET FERMETURE AUT.ARRIVEE EAU   | ABSPERRVENTIL x AUT.WASSERZUFUHR L.40 |
| 31  | WY4652001590 | TUBO D-6 L.28                          | TUBE D-6 L.28                          | TUYAU D-6 L.28                     | ROHR D-6 L.28                         |
| 32  | WY4661016001 | DISTRIBUTORE CARICO ACQUA CW510L       | WATER DISTRIBUTION BLOCK               | DISTRIBUTEUR EAU                   | WASSER VERTEILER                      |
| 33  | WY23228025   | RACC.DRITTO 1/4F +PORTAGOMMA D-8 OT/Ni | HOSE CONNECTION 1/4F D-8               | PORTE-CAOUTCHOUC 1/4F D-8          | GUMMIHALTER 1/4F D-8                  |
| 34  | WY15477014   | TUBO SILICONE PLATINICO 7x11           | SILICON TUBE 7x11                      | TUBE EN SILICONE 7x11              | ROHR SILIKON 7x11                     |
| 35  | WY15502003   | VASCHETTA SCARICO BACINELLA            | DRAIN PAN                              | DRAIN DE LA BAIGNOIRE              | BADEWANNEABLAUF                       |
| 36  | WY4652003270 | TUBO D-6 L.510                         | TUBE D-6 L.510                         | TUYAU D-6 L.510                    | ROHR D-6 L.510                        |
| 37  | WY4652001428 | TUBO D-6 L.50                          | TUBE D-6 L.50                          | TUYAU D-6 L.50                     | ROHR D-6 L.50                         |
| 38  | WY4625686    | RACCORDO 1/4Mx1/4M                     | CONNECTOR 1/4Mx1/4M                    | RACCORD 1/4Mx1/4M                  | ANSCHLUSS 1/4Mx1/4M                   |

## EVD 2GR

| Pos | Cod.         | Denominazione - IT -                     | Denomination - GB -              | Denomination - FR -                 | Denomination - DE -                  |
|-----|--------------|--|----------------------------------|-------------------------------------|--------------------------------------|
| 39  | WY4625708    | RACCORDO 1/4x1/4 CW510L                  | 1/4X1/4 CW510L FITTING           | RACCORD 1/4X1/4 CW510L              | ANSCHLUSS 1/4X1/4 CW510L             |
| 40  | WY12153      | GUARNIZIONE RAME 1/4 17x13.3x1.5         | GASKET 1/4 17x13.3x1.5 COPPER    | JOINT CUIVRE 1/4 17x13.3x1.5        | KUPFERDICHTUNG 1/4 17x13.3x1.5       |
| 41  | WY10254      | FILTRO ACCIAIO 160-200 MESH              | STEEL FILTER 160-200 MESH        | FILTRE EN ACIER 160-200 MESH        | STAHLFILTER 160-200 MESH             |
| 42  | WY12329      | GUARNIZIONE OR HNBR 7.66xW1.78           | GASKET OR HNBR 7.66xW1.78        | JOINT OR HNBR 7.66x1.78             | OR DICHTUNG HNBR 7.66xW1.78          |
| 43  | WY4618126    | DOSATORE FLOWMETER                       | FLOWMETER DOSER                  | KIT DOSEUR                          | DOSIERER                             |
| 44  | WY4656122000 | ASSIEME DOSATORE CW510L                  | DOSER KIT CW510L                 | KIT DOSEUR CW510L                   | DOSIERER CW510L                      |
| 45  | WY4652003255 | TUBO D-6 L.190                           | TUBE D-6 L.190                   | TUYAU D-6 L.190                     | ROHR D-6 L.190                       |
| 46  | WY4618161701 | ELETTROVALVOLA REGOL.PORTATA 220-240V/50 | SOL.VALVE 220-240V/50-60Hz       | ELECTROVANNE 220-240V/50-60Hz       | MAGNETVENTIL 220-240V/50-60Hz        |
| 47  | WY23229004   | RACCORDO RAPIDO DRITTO 1/8M CIL D-4      | CONNECTOR 1/8M D-4               | RACCORD 1/8M D-4                    | ANSCHLUSS 1/8M D-4                   |
| 48  | WY4718181005 | ELETTROVALVOLA 2V AEA 208-240/60 NSF     | EL.2V AEA 208-240/60 2019F1      | ELECTROVANNE 2V AEA 208-240/60 NSF  | ELEKTROVENTIL 2V AEA 20/-240/60 NSF  |
| 48  | WY4718159002 | ELETTROVALVOLA AEA 220/240V 50-60H       | SOLENOID VALVE 220/240V 50-60Hz  | ELECTROVANNE 220/240V 50-60Hz       | ELEKTROVENTIL 220/240V 50-60Hz       |
| 48  | WY4718181004 | ELETTROVALVOLA 2V AEA 110-120V/60 NSF    | SOL.VALVE 2V AEA 110-120V/60 NSF | ELECTROVANNE 2V AEA 110-120V/60 NSF | ELEKTROVENTIL 2V AEA 110-120V/60 NSF |
| 49  | WY83120005R  | KIT GUARNIZIONI DISTRIBUTORE MULTIFUNZ.  | GASKET KIT DISTRIBUTOR           | KIT JOINT DISTRIBUTEUR              | DICHTUNGSSATZ VERTEILER              |
| 50  | WY12305      | GUARNIZIONE OR                           | O RING                           | JOINT OR                            | O-RINGDICHT                          |
| 51  | WY15502002   | PARATIA ROMPIGETTO VASCHETTA SCARICO     | BULKHEAD                         | CLOISON                             | SCHOTT                               |



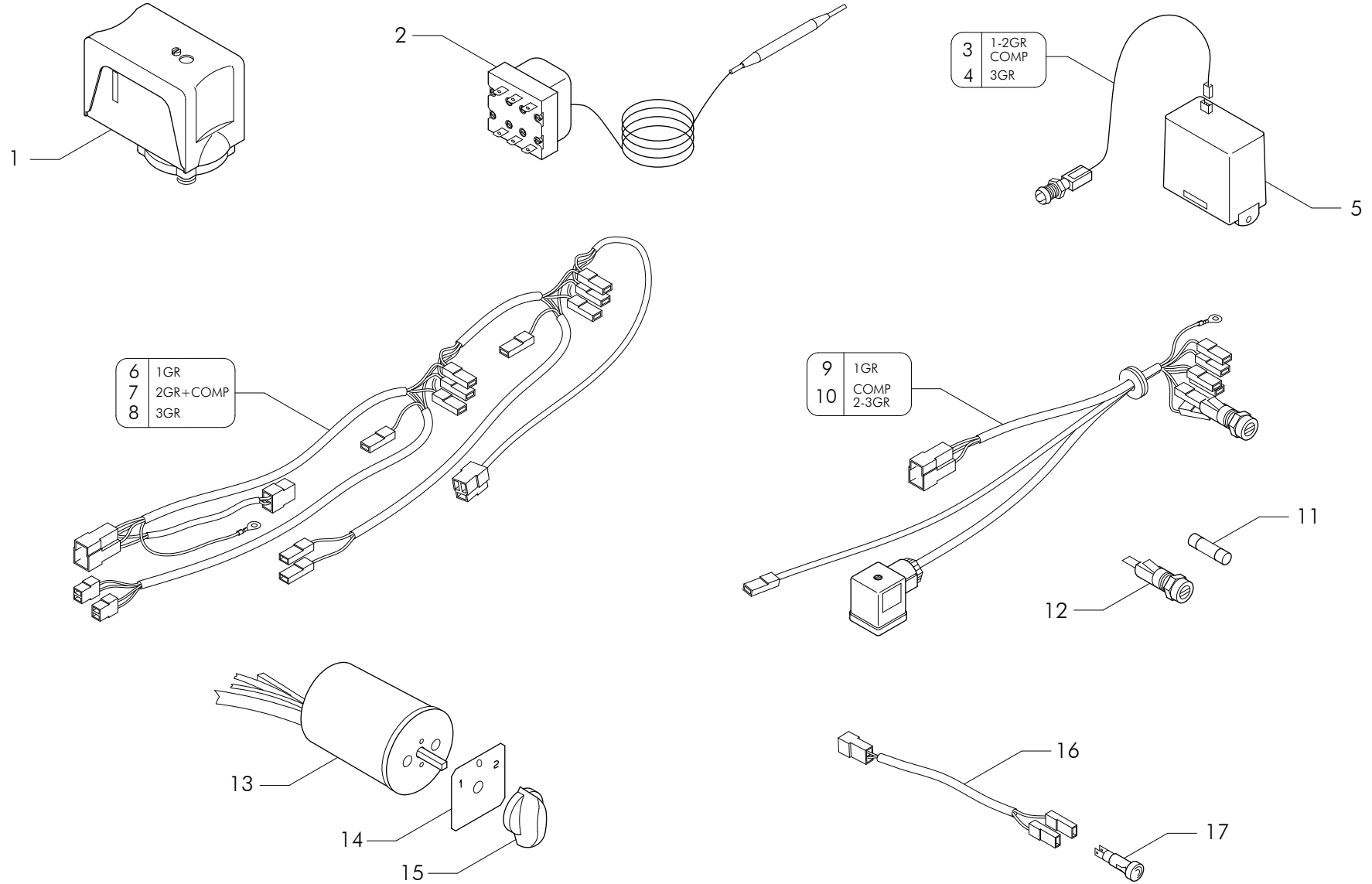


## EVD 3GR

| Pos | Cod.         | Denominazione - IT -                   | Denomination - GB -                    | Denomination - FR -                | Denomination - DE -                   |
|-----|--------------|--|--|------------------------------------|---------------------------------------|
| 1   | WY4652003058 | TUBO D-2 L.1000                        | TUBE D-2 L.1000                        | TUYAU D-2 L.1000                   | ROHR D-2 L.1000                       |
| 2   | WY4652001437 | TUBO D-4 L.435                         | TUBE D-4 L.435                         | TUYAU D-4 L.435                    | ROHR D-4 L.435                        |
| 3   | WY4652003248 | TUBO D-6 L.105                         | TUBE D-6 L.105                         | TUYAU D-6 L.105                    | ROHR D-6 L.105                        |
| 4   | WY4652002708 | TUBO D-12 L.295                        | TUBE D-12 L.295                        | TUYAU D-12 L.295                   | ROHR D-12 L.295                       |
| 5   | WY4652003245 | TUBO D-8 L.285                         | TUBE D-8 L.285                         | TUYAU D-8 L.285                    | ROHR D-8 L.285                        |
| 6   | WY4652003029 | TUBO D-8 L.205                         | TUBE D-8 L.205                         | TUYAU D-8 L.205                    | ROHR D-8 L.205                        |
| 7   | WY4652003244 | TUBO D-8 L.285                         | TUBE D-8 L.285                         | TUYAU D-8 L.285                    | ROHR D-8 L.285                        |
| 8   | WY4652002893 | TUBO D-12 L.245                        | TUBE D-12 L.245                        | TUYAU D-12 L.245                   | ROHR D-12 L.245                       |
| 9   | WY4652002979 | TUBO D-12 L.275                        | TUBE D-12 L.275                        | TUYAU D-12 L.275                   | ROHR D-12 L.275                       |
| 10  | WY4625707    | RACCORDO 1/8x1/4 CW510L                | CONNECTOR 1/8x1/4 CW510L               | RACCORD 1/8x1/4 CW510L             | ANSCHLUSS 1/8x1/4 CW510L              |
| 11  | WY4618162005 | ELETTROVALVOLA AEA 220-240V 50-60Hz    | SOL.VALVE WATER REFILL 220/240 50/60Hz | ELECTROVANNE REA 220/240V 50/60Hz  | ELEKTROVENTIL AWZ 230/250 V 50/60 Hz  |
| 12  | WY4652003246 | TUBO D-8 L.390                         | TUBE D-8 L.390                         | TUYAU D-8 L.390                    | ROHR D-8 L.390                        |
| 13  | WY4623293000 | STROZZATURA RICIRCOLO D 2.5            | REDUCED CONNECTOR OF GROUP D2.5        | RACCORD REDUIT DU GROUPE D2.5      | VERKLEINERTE FITTING DER GRUPPE D2.5  |
| 14  | WY4652003204 | TUBO D-6 L.320                         | TUBE D-6 L.320                         | TUYAU D-6 L.320                    | ROHR D-6 L.320                        |
| 15  | WY4652003205 | TUBO D-6 L.230                         | TUBE D-6 L.230                         | TUYAU D-6 L.230                    | ROHR D-6 L.230                        |
| 16  | WY4652003206 | TUBO D-6 L.475                         | TUBE D-6 L.475                         | TUYAU D-6 L.475                    | ROHR D-6 L.475                        |
| 17  | WY4652002700 | TUBO D-10 L.185                        | TUBE D-10 L.185                        | TUYAU D-10 L.185                   | ROHR D-10 L.185                       |
| 18  | WY25356      | CONTRODADO OTTONE 3/8                  | BRASS LOCK NUT 3/8                     | CONTRE-ECROU LAITON 3/8            | MESSING-GEGENMUTTER 3/8               |
| 19  | WY25651      | RONDELLA OTTONE 3/8                    | BRASS WASHER 3/8                       | RONDELLE LAITON 3/8                | MESSINGSCHIEBE 3/8                    |
| 20  | WY4653002    | CORPO LIVELLO SUPERIORE                | UPPER LEVEL BODY                       | CORPS DE NIVEAU SUPERIEUR          | OBERNIVEAUKORPER                      |
| 21  | WY12200      | GUARNIZIONE 16x10x8                    | GASKET 16X10X8                         | JOINT 16X10X8                      | DICHTUNG 16x10x8                      |
| 22  | WY25652      | RONDELLA OTTONE D17.8                  | BRASS WASHER D.17.8                    | RONDELLE LAITON D.17.8             | MESSING-SCHIEBE D.17.8                |
| 23  | WY25383      | DADO OTTONE M20x1.5                    | BRASS NUT 20X1.5                       | ECROU LAITON 20X1.5                | MESSING-MUTTER 20x1.5                 |
| 24  | WY21300      | TUBO VETRO LIVELLO 11x8x170            | GLASS LEVEL TUBE 11X8X170              | TUBE NIVEAU EN VERRE 11X8X170      | NIVEAU GLASROHR 11x8x170              |
| 25  | WY56001      | ASSIEME TUBO LIVELLO                   | LEVEL TUBE UNIT                        | ENSEMBLE TUBE DE NIVEAU            | ROHRSATZ FUR NIVEAU                   |
| 26  | WY44002      | COPRILIVELLO VERNICIATO BIANCO         | LEVEL INDICATOR COVER PAINTED WHITE    | COUVRE-NIVEAU LAQUE BLANC          | NIVEAUDECKEL                          |
| 27  | WY4652003232 | TUBO D-10 L.110                        | TUBE D-10 L.110                        | TUYAU D-10 L.110                   | ROHR D-10 L.110                       |
| 28  | WY4656005    | CORPO LIVELLO INFERIORE                | LOWER LEVEL BODY UNIT                  | ENSEMBLE CORPS DE NIVEAU INFERIEUR | UNTER NIVEAUKORPER                    |
| 29  | WY4652003273 | TUBO D-8 L.160                         | TUBE D-8 L.160                         | TUYAU D-8 L.160                    | ROHR D-8 L.160                        |
| 30  | WY4620354001 | VALVOLA CHIUSURA L.40                  | PRESSURE RELEASE TAP BULK UNIT L.40    | CLAPET FERMETURE AUT.ARRIVEE EAU   | ABSPERRVENTIL x AUT.WASSERZUFUHR L.40 |
| 31  | WY4652001590 | TUBO D-6 L.28                          | TUBE D-6 L.28                          | TUYAU D-6 L.28                     | ROHR D-6 L.28                         |
| 32  | WY4661016001 | DISTRIBUTORE CARICO ACQUA CW510L       | WATER DISTRIBUTION BLOCK               | DISTRIBUTEUR EAU                   | WASSER VERTEILER                      |
| 33  | WY4652003268 | TUBO D-8 L.190                         | TUBE D-8 L.190                         | TUYAU D-8 L.190                    | ROHR D-8 L.190                        |
| 34  | WY23228025   | RACC.DRITTO 1/4F +PORTAGOMMA D-8 OT/Ni | HOSE CONNECTION 1/4F D-8               | PORTE-CAOUTCHOUC 1/4F D-8          | GUMMIHALTER 1/4F D-8                  |
| 35  | WY15477014   | TUBO SILICONE PLATINICO 7x11           | SILICON TUBE 7x11                      | TUBE EN SILICONE 7x11              | ROHR SILIKON 7x11                     |
| 36  | WY4652003271 | TUBO D-6 L.750                         | TUBE D-6 L.750                         | TUYAU D-6 L.750                    | ROHR D-6 L.750                        |
| 37  | WY15502003   | VASCHETTA SCARICO BACINELLA            | DRAIN PAN                              | DRAIN DE LA BAIGNOIRE              | BADEWANNEABLAUF                       |
| 38  | WY4652001428 | TUBO D-6 L.50                          | TUBE D-6 L.50                          | TUYAU D-6 L.50                     | ROHR D-6 L.50                         |

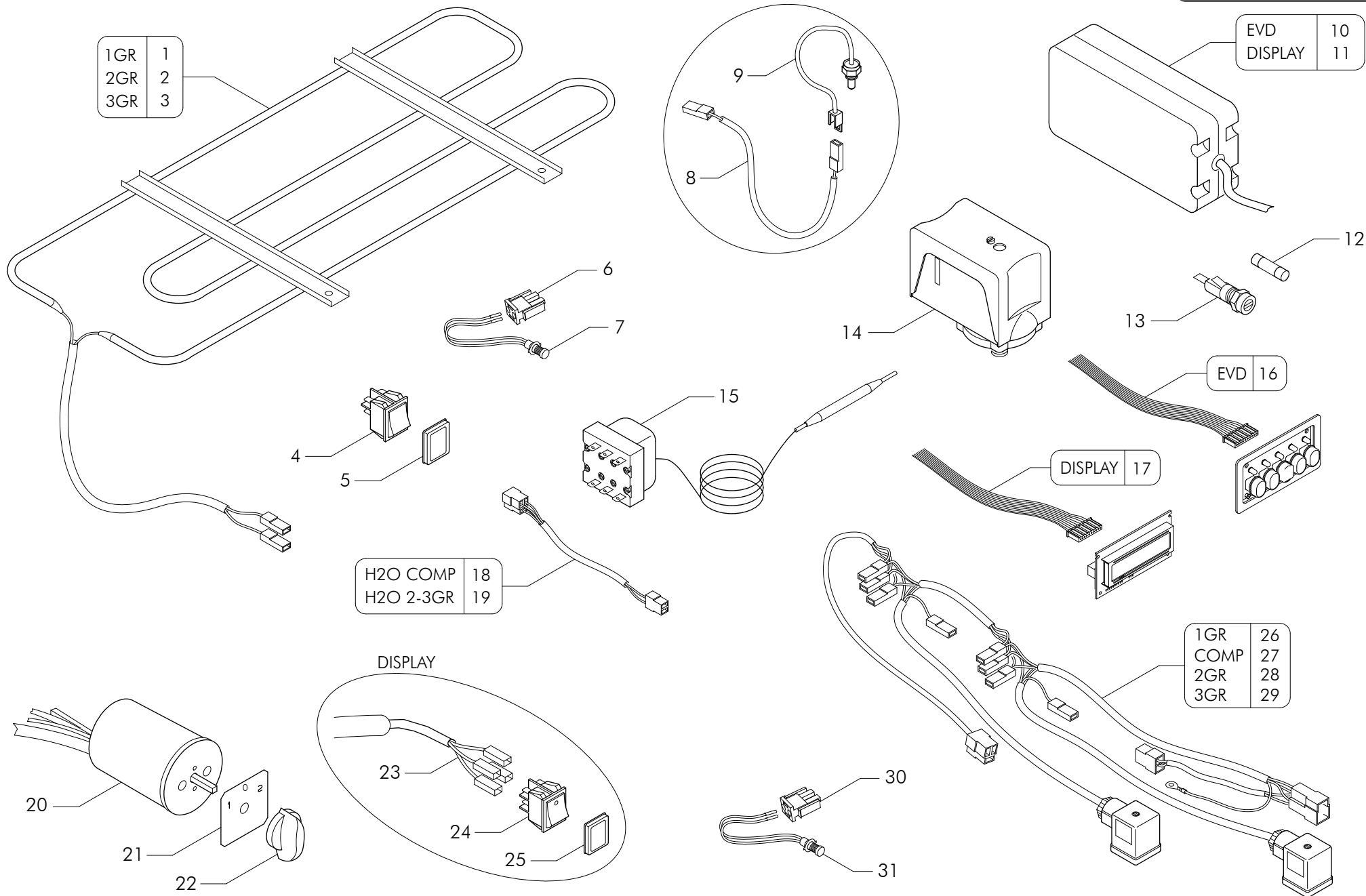
## EVD 3GR

| Pos | Cod.         | Denominazione - IT -                    | Denomination - GB -              | Denomination - FR -                 | Denomination - DE -                  |
|-----|--------------|---|----------------------------------|-------------------------------------|--------------------------------------|
| 39  | WY4656122000 | ASSIEME DOSATORE CW510L                 | DOSER KIT CW510L                 | KIT DOSEUR CW510L                   | DOSIERER CW510L                      |
| 40  | WY4625686    | RACCORDO 1/4Mx1/4M                      | CONNECTOR 1/4Mx1/4M              | RACCORD 1/4Mx1/4M                   | ANSCHLUSS 1/4Mx1/4M                  |
| 41  | WY4625708    | RACCORDO 1/4x1/4 CW510L                 | 1/4X1/4 CW510L FITTING           | RACCORD 1/4X1/4 CW510L              | ANSCHLUSS 1/4X1/4 CW510L             |
| 42  | WY12153      | GUARNIZIONE RAME 1/4 17x13.3x1.5        | GASKET 1/4 17x13.3x1.5 COPPER    | JOINT CUIVRE 1/4 17x13.3x1.5        | KUPFERDICHTUNG 1/4 17x13.3x1.5       |
| 43  | WY10254      | FILTRO ACCIAIO 160-200 MESH             | STEEL FILTER 160-200 MESH        | FILTRE EN ACIER 160-200 MESH        | STAHLFILTER 160-200 MESH             |
| 44  | WY12329      | GUARNIZIONE OR HNBR 7.66xW1.78          | GASKET OR HNBR 7.66xW1.78        | JOINT OR HNBR 7.66x1.78             | OR DICHTUNG HNBR 7.66xW1.78          |
| 45  | WY4618126    | DOSATORE FLOWMETER                      | FLOWMETER DOSER                  | KIT DOSEUR                          | DOSIERER                             |
| 46  | WY4652003255 | TUBO D-6 L.190                          | TUBE D-6 L.190                   | TUYAU D-6 L.190                     | ROHR D-6 L.190                       |
| 47  | WY4718159002 | ELETTROVALVOLA AEA 220/240V 50-60H      | SOLENOID VALVE 220/240V 50-60Hz  | ELECTROVANNE 220/240V 50-60Hz       | ELEKTROVENTIL 220/240V 50-60Hz       |
| 48  | WY23229004   | RACCORDO RAPIDO DRITTO 1/8M CIL D-4     | CONNECTOR 1/8M D-4               | RACCORD 1/8M D-4                    | ANSCHLUSS 1/8M D-4                   |
| 49  | WY4718181004 | ELETTROVALVOLA 2V AEA 110-120V/60 NSF   | SOL.VALVE 2V AEA 110-120V/60 NSF | ELECTROVANNE 2V AEA 110-120V/60 NSF | ELEKTROVENTIL 2V AEA 110-120V/60 NSF |
| 49  | WY4718159002 | ELETTROVALVOLA AEA 220/240V 50-60H      | SOLENOID VALVE 220/240V 50-60Hz  | ELECTROVANNE 220/240V 50-60Hz       | ELEKTROVENTIL 220/240V 50-60Hz       |
| 49  | WY4718181005 | ELETTROVALVOLA 2V AEA 208-240/60 NSF    | EL.2V AEA 208-240/60 2019F1      | ELECTROVANNE 2V AEA 208-240/60 NSF  | ELEKTROVENTIL 2V AEA 20/-240/60 NSF  |
| 50  | WY83120005R  | KIT GUARNIZIONI DISTRIBUTORE MULTIFUNZ. | GASKET KIT DISTRIBUTOR           | KIT JOINT DISTRIBUTEUR              | DICHTUNGSSATZ VERTEILER              |
| 51  | WY12305      | GUARNIZIONE OR                          | O RING                           | JOINT OR                            | O-RINGDICHT                          |
| 52  | WY15502002   | PARATIA ROMPIGETTO VASCHETTA SCARICO    | BULKHEAD                         | CLOISON                             | SCHOTT                               |



## EPU

| Pos | Cod.       | Denominazione - IT -                    | Denomination - GB -                  | Denomination - FR -             | Denomination - DE -                  |
|-----|------------|---|--------------------------------------|---------------------------------|--------------------------------------|
| 1   | WY4620150  | PRESSOSTATO SECCO SIRAI 30A CW510L      | DRY PRESSURE SWITCH SIRAI 30A CW510L | PRESSOSTAT SEC SIRAI 30A CW510L | TROCKENDRUCKWACHTER SIRAI 30A CW510L |
| 2   | WY20300019 | TERMOSTATO UL 160?C                     | THERMOSTAT UL 160?C                  | THERMOSTAT UL 160?C             | THERMOSTAT UL 160?C                  |
| 3   | WY22625    | CAVO 1/2GR RL30/TIMEOUT CON LED         | 1/2 CABLE TIMEOUT UNIT WITH LED      | CABLE 1/2 GR. RL30/TIMEOUT LED  | KABEL 1/2GR. RL30/TIMEOUT MIT LED    |
| 4   | WY22626    | CAVO 3/4GR RL30/TIMEOUT CON LED         | 3/4 CABLE TIMEOUT UNIT WITH LED      | CABLE 3/4 GR. RL30/TIMEOUT LED  | KABEL 3/4GR. RL30/TIMEOUT MIT LED    |
| 5   | WY18080001 | REGOLATORE LIVELLO RL30 220/240V        | LEVEL CONTROL RL30 220/240V          | CONTROLE NIVEAU RL30 220/240V   | WASSERNIVEAUREGLER RL30 220/240V     |
| 5   | WY18081001 | REGOLATORE LIVELLO RL30 120V            | LEVEL CONTROL RL30 120V              | CONTROLE NIVEAU RL30 120V       | WASSERNIVEAUREGLER RL30 120V         |
| 6   | WY22716103 | CABLAGGIO EPU/1 POLARIS-14- UL          | WIRING EPU/1 POLARIS 14-UL           | CABLAGE EPU/1 POLARIS14-UL      | ANSCHLUSS EPU/1 POLARIS14-UL         |
| 7   | WY22716104 | CABLAGGIO EPU/2 POLARIS-14- UL          | WIRING EPU/2 POLARIS14-UL            | CABLAGE EPU/2 POLARIS14-UL      | ANSCHLUSS EPU/2 POLARIS14-UL         |
| 8   | WY22716105 | CABLAGGIO EPU/3 POLARIS-14- UL          | WIRING EPU/3 POLARIS14-UL            | CABLAGE EPU/3 POLARIS14-UL      | ANSCHLUSS EPU/3 POLARIS14-UL         |
| 9   | WY22838    | CABLAGGIO A.E.A. 1GR ER+JUN*UL+C.S.A*   | CABLE A.W.R. 1GR + JUN *U.L*         | CABLAGE R.E.A. 1 GR + JUN *U.L* | KABEL A.W.F. 1 GR + JUN *U.L*        |
| 10  | WY22839    | CABLAGGIO A.E.A. 2/3GR ER *UL+C.S.A*    | CABLE A.W.R. 2GR *U.L*               | CABLAGE R.E.A. 2GR *U.L*        | KABEL A.W.F. 2GR *U.L*               |
| 11  | WY19109003 | FUSIBILE 15A ULTK-R Class CC CSA/UL     | FUSE 15A CSA/UL                      | FUSIBLE 15A CSA/UL              | SICHERUNG 15A CSA/UL                 |
| 12  | WY19123001 | PORTAFUSIBILE 20A 600V                  | FUSE HOLDER 20A 600V                 | PORTE-FUSIBLE 20A 600V          | SICHERUNGSHALTER 20A 600V            |
| 13  | WY8318104R | KIT COMMUTATORE BREMAS A20              | KIT COMMUTATOR BREMAS A20.12         | KIT COMMUTATEUR BREMAS A20.12   | KIT UMSCHLATER BREMAS A20.12         |
| 13  | WY8318105R | KIT COMMUTATORE BREMAS A32              | KIT COMMUTATOR BREMAS A32.12         | KIT COMMUTATEUR BREMAS A32.12   | KIT UMSCHALTER BREMAS A32.12         |
| 14  | WY29067    | ETICHETTA ADESIVA '1-0-2' NERO PLASTICO | ADHESIVE LABEL '1-0-2' BLACK         | ETIQ. ADHES. 1-0-2' NOIR        | KLEBEETIKETTE '1-0-2' SCHWARZ        |
| 15  | WY15271    | MANOPOLA INTERR.GENERALE BREMAS         | MAIN SWITCH HAND GRIP                | MANETTE INTERR. GENERAL         | HAUPTSCHALTERGRIFF                   |
| 16  | WY22718101 | CABLAGGIO PROLUNGA LAMPADINA UL         | WIRING FOR LAMP UL                   | CABLE PROLONGE LAMPE UL         | VERDRAHTUNG LAMPE UL                 |
| 17  | WY21030    | LAMPADA SPIA UL/CSA 250V 3322260179     | WARNING LIGHT UL 250V                | LAMPE TEMOIN UL 250V            | KONTROLLAMPE UL 250V                 |



## EVD

| Pos | Cod.       | Denominazione - IT -                    | Denomination - GB -                     | Denomination - FR -                   | Denomination - DE -                     |
|-----|------------|---|---|---------------------------------------|---|
| 1   | WY17019004 | RESISTENZA 1GR 120V 100W                | HEATING ELEMENT 1GR 120V 100W           | RESISTANCE 1GR 120V 100W              | WIDERSTAND 1GR 120V 100W                |
| 1   | WY17019003 | RESISTENZA 1GR 230V 100W                | HEATING ELEMENT 1GR 230V 100W           | RESISTANCE 1GR 230V 100W              | WIDERSTAND 1GR 230V 100W                |
| 2   | WY17022    | RESISTENZA 2GR 230V 200W                | HEATING ELEMENT 2GR 230V 200W           | RESISTANCE 2GR 230V 200W              | WIDERSTAND 2GR 230V 200W                |
| 2   | WY17020    | RESISTENZA 2GR 120V 200W                | HEATING ELEMENT 2GR 120V 200W           | RESISTANCE 2GR 120V 200W              | WIDERSTAND 2GR 120V 200W                |
| 3   | WY17023    | RESISTENZA 3GR 230V 250W                | HEATING ELEMENT 3GR 230V 250W           | RESISTANCE 3GR 230V 250W              | WIDERSTAND 3GR 230V 250W                |
| 4   | WY18371182 | INTERRUTTORE NERO SERIGRAFATO 0-1       | SWITCH BLACK                            | INTERRUPTEUR NOIR                     | SCHALTER SCHWARZ                        |
| 5   | WY19049001 | COPERTURA INTERRUTTORE                  | SWITCH COVER                            | PROTECTION INTERRUPTEUR               | SCHALTER ABD.                           |
| 6   | WY10760    | BLOCCETTO MASCHIO                       | MALE BLOCK                              | MODULE MALE                           | STECKER                                 |
| 7   | WY21023    | LAMPADA SPIA ROSSA 230V                 | RED PILOT LIGHT 230V                    | LAMPE TEMOIN ROUGE 230V               | ROTE KONTROLLEUCHE 230V                 |
| 8   | WY22715900 | CABLAGGIO SONDA CALDAIA                 | CABLE PROBE-BOILER                      | CABLE FICHE-CHAUDIERE                 | KABEL ME?SPITZE-KESSEL                  |
| 9   | WY20306    | TERMOSTATO SONDA NTC ES 13              | THERMOSTAT NTC ES 13                    | THERMOSTAT NTC ES 13                  | THERMOSTAT NTC ES 13                    |
| 10  | WY18090048 | CENTRALINA 1-3GR 230V PLUS1             | CONTROL BOX 1-3GR 230V PLUS1            | CENTRALE 1/3 230V PLUS1               | MIKROP. STEUERUNG 1-3 GRUPPING 230V     |
| 10  | WY18090047 | CENTRALINA 1-3GR 120V PLUS1             | CONTROL BOX 1-3GR 120V PLUS1            | CENTRALE 1/3 120V PLUS1               | MIKROP. STEUERUNG 1-3 GRUPPING 120V     |
| 11  | WY18090080 | CENTRALINA 1-4GR 230V PLUS2             | GEARCASE 1-4GR 230V PLUS2               | CENTRALE 1-4GR 230V PLUS2             | STEUERUNG 1-4GR 230V PLUS2              |
| 11  | WY18090079 | CENTRALINA 1-4GR 120V PLUS2             | GEARCASE 1-4GR 120V PLUS2               | CENTRALE 1-4GR 120V PLUS2             | STEUERUNG 1-4GR 120V PLUS2              |
| 12  | WY19109003 | FUSIBILE 15A ULKTK-R Class CC CSA/UL    | FUSE 15A CSA/UL                         | FUSIBLE 15A CSA/UL                    | SICHERUNG 15A CSA/UL                    |
| 13  | WY19123001 | PORTAFUSIBILE 20A 600V                  | FUSE HOLDER 20A 600V                    | PORTE-FUSIBLE 20A 600V                | SICHERUNGSHALTER 20A 600V               |
| 14  | WY4620150  | PRESSOSTATO SECCO SIRAI 30A CW510L      | DRY PRESSURE SWITCH SIRAI 30A CW510L    | PRESSOSTAT SEC SIRAI 30A CW510L       | TROCKENDRUCKWACHTER SIRAI 30A CW510L    |
| 15  | WY20300019 | TERMOSTATO UL 160?C                     | THERMOSTAT UL 160?C                     | THERMOSTAT UL 160?C                   | THERMOSTAT UL 160?C                     |
| 16  | WY22628    | CAVO PULSANTIERA 10 POLI 140CM          | 140 CM CABLE FOR P.BUTTON PANEL         | CABLE CLAVIER 10 POLES 140 CM         | KABEL BEDIENBL. 10 POLIG 140CM          |
| 16  | WY22627    | CAVO PULSANTIERA 10 POLI 80CM           | 80 CM CONNECTOR FOR P.BUTTON PANEL      | CABLE CLAVIER 10 POLES 80 CM          | KABEL BEDIENBL. 10 POLIG 80CM           |
| 17  | WY22554007 | CAVO MULTIVIE DISPLAY L.140             | RIBBON CABLE DISPLAY L.140              | CABLAGE DISPLAY L.140                 | KABEL DISPLAY L.140                     |
| 18  | WY22719013 | CABL.THE AUT.SAE/EVD PG9 1>4GR UL       | AUT. TEA WIRING SAE/EVD PG9 1>4GR UL    | CABLAGE THE AUT.SAE/EVD PG9 1>4GR UL  | KABEL TEE AUT.SAE/EVD PG9 1>4GR UL      |
| 19  | WY22719    | CABLAGGIO THE                           | CABLE x AUTOM.TEA                       | CABLAGE x TE AUTOM.                   | VERDRAHT.xAUT.TEE                       |
| 20  | WY8318104R | KIT COMMUTATORE BREMAS A20              | KIT COMMUTATOR BREMAS A20.12            | KIT COMMUTEUR BREMAS A20.12           | KIT UMSCHLATER BREMAS A20.12            |
| 20  | WY8318105R | KIT COMMUTATORE BREMAS A32              | KIT COMMUTATOR BREMAS A32.12            | KIT COMMUTEUR BREMAS A32.12           | KIT UMSCHALTER BREMAS A32.12            |
| 21  | WY29067    | ETICHETTA ADESIVA '1-0-2' NERO PLASTICO | ADHESIVE LABEL '1-0-2' BLACK            | ETIQ. ADHES. 1-0-2' NOIR              | KLEBEETIKETTE '1-0-2' SCHWARZ           |
| 22  | WY15271    | MANOPOLA INTERR.GENERALE BREMAS         | MAIN SWITCH HAND GRIP                   | MANETTE INTERR. GENERAL               | HAUPTSCHALTERGRIFF                      |
| 23  | WY22803072 | CABLAGGIO INT.GENERALE UL               | CABLE UL                                | CABLAGE UL                            | VERKABELUNG UL                          |
| 24  | WY18263    | INTERRUTTORE BIP. NERO LED LUMIN.ROSSO  | BIP. LUMIN. BLACK SWITCH                | INTER.BIP.LUMIN. NOIR                 | ZWEIP.SCHALTER M. SCHWARZ LEUCHE        |
| 25  | WY19049    | COPERTURA INTERRUTTORE                  | SWITCH COVER                            | PROTECTION INTERRUPTEUR               | SCHALTER ABD.                           |
| 26  | WY22716106 | CABLAGGIO SERVIZI EVD/1 POLARIS-14-     | WIRING SERVICES EVD/1 POLARIS14         | SERVICES DE CABLAGE EVD/1 POLARIS14   | KABEL DIENSTLEISTUNGEN EVD/1 POLARIS14  |
| 27  | WY22716110 | CABLAGGIO SERVIZI EVD/2C POLARIS-14-    | WIRING SERVICES EVD/2C POLARIS14        | SERVICES DE CABLAGE EVD/2C POLARIS14  | KABEL DIENSTLEISTUNGEN EVD/2C POLARIS14 |
| 28  | WY22716107 | CABLAGGIO SERV.EVD/2+DISPLAY POLARIS14  | WIRING SERVICES EVD/2+DISPLAY POLARIS14 | SERVICES CABL.EVD/2+DISPLAY POLARIS14 | KABEL DIENST. EVD/2+DISPLAY POLARIS14   |
| 29  | WY22716108 | CABLAGGIO SERV.EVD/3+DISPLAY POLARIS14  | WIRING SERVICES EVD/3+DISPLAY POLARIS14 | SERVICES CABL.EVD/3+DISPLAY POLARIS14 | KABEL DIENST. EVD/3+DISPLAY POLARIS14   |
| 30  | WY10760    | BLOCCETTO MASCHIO                       | MALE BLOCK                              | MODULE MALE                           | STECKER                                 |
| 31  | WY21011001 | LAMPADA SPIA VERDE CON GHIERA 250VAC    | GREEN WARNING LIGHT 250VAC              | LAMPR TEMOIN VERT 250VAC              | GRUNE KONTROLLAMPE 250VAC               |

