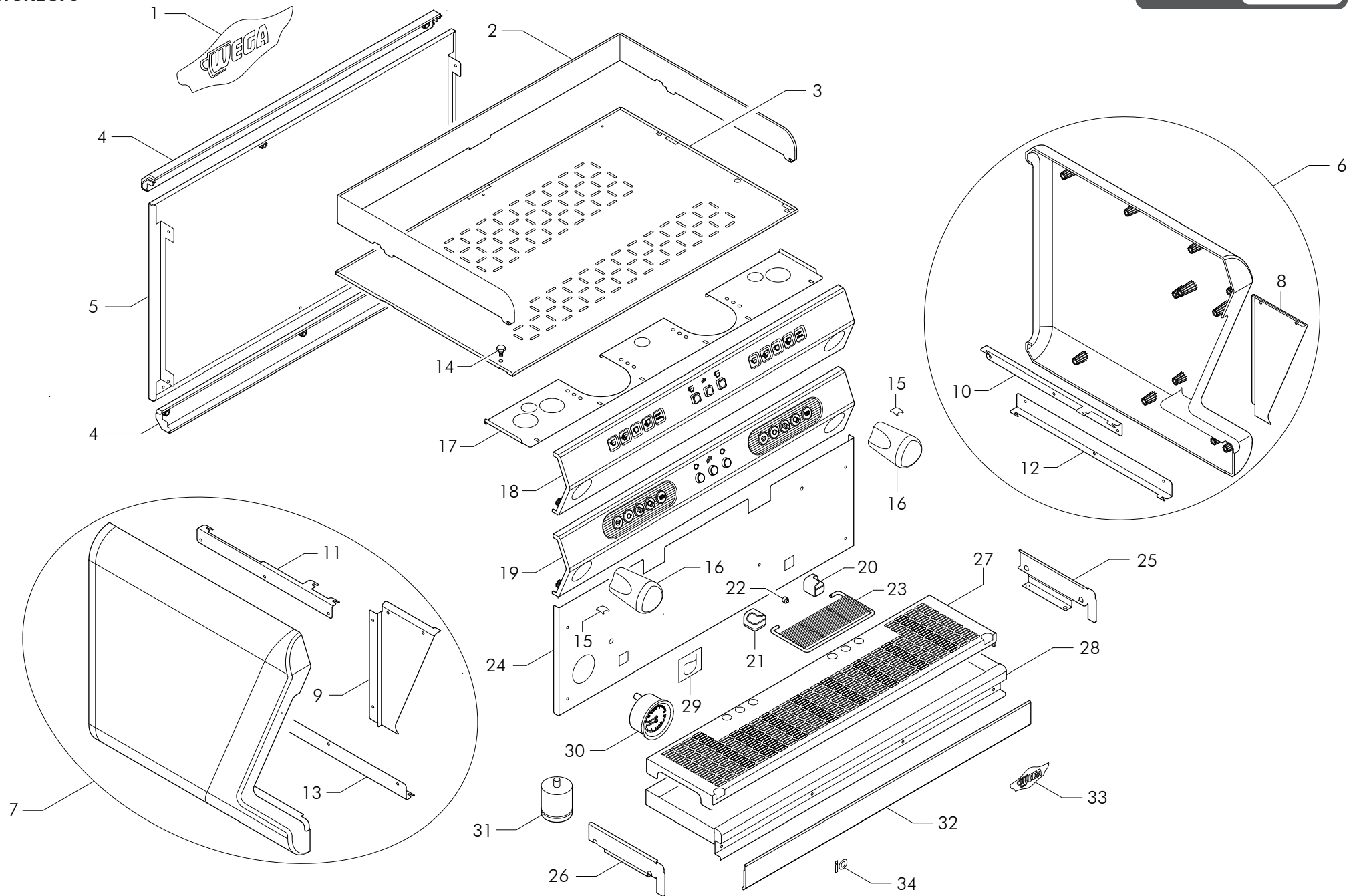
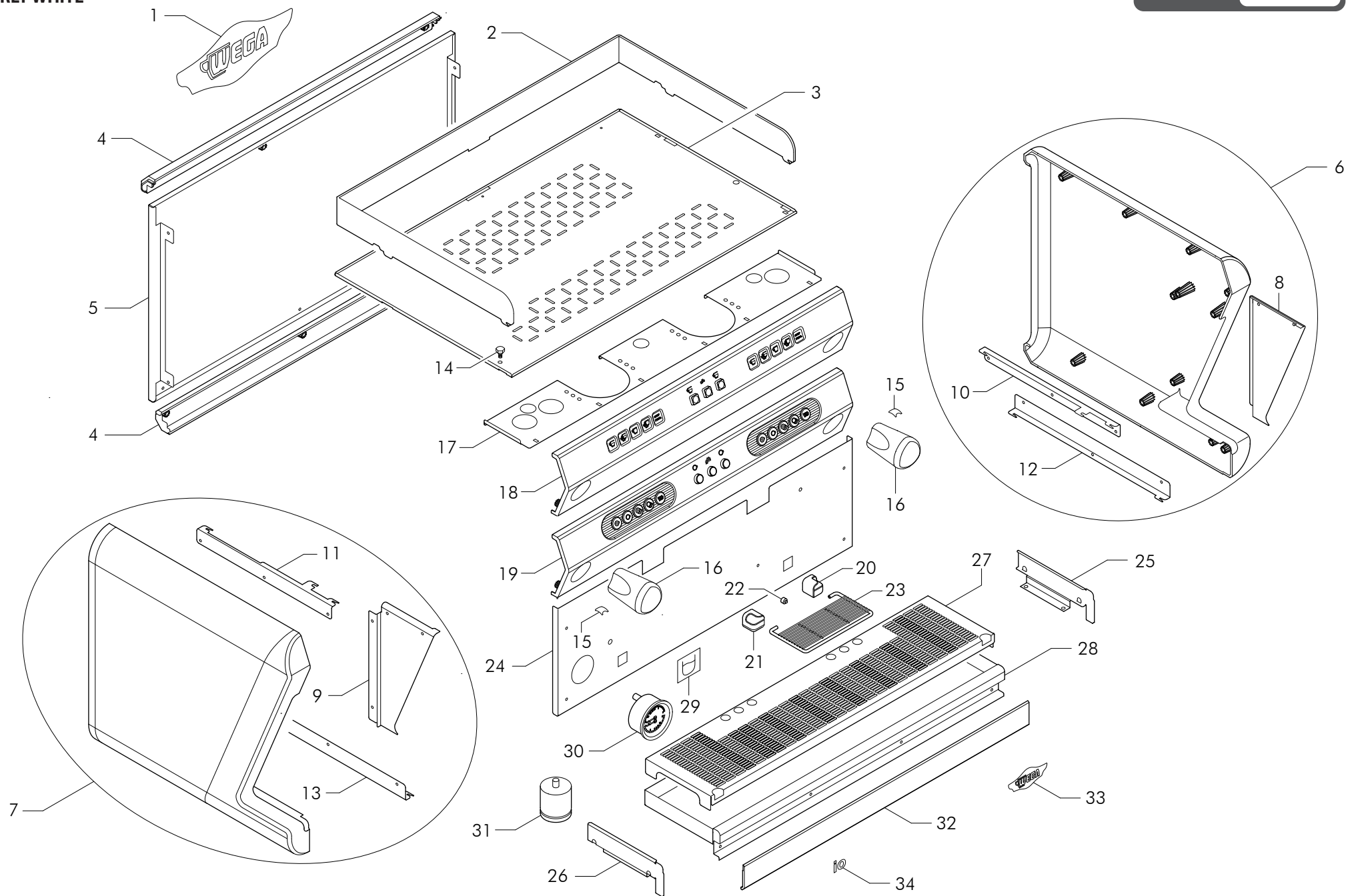


| Tav. | | Pag. | Rev. | Data |
|--------------|---|------|------|---------|
| | Carrozzeria - Body parts - Carosserie - Karosserie | | | |
| IO-01 | Pantone 376 | 2 | 01 | 09/2023 |
| IO-02 | Pearly White | 4 | 01 | 09/2023 |
| IO-03 | Ral 2005 | 6 | 01 | 09/2023 |
| IO-04 | Mat Black | 8 | 01 | 09/2023 |
| IO-11 | Pulsantiere - Push buttons - Claviers - Tastaturen | 10 | 01 | 09/2023 |
| | Lancia - Tube - Tuyau - Rohr | | | |
| IO-21 | Acqua - Water - Eau - Wasser | 12 | 01 | 09/2023 |
| IO-22 | Vapore - Steam - Vapeur - Dampf | 14 | 01 | 09/2023 |
| IO-31 | Gruppo - Group - Groupe - Gruppe | 16 | 02 | 09/2023 |
| IO-41 | Caldaia - Boiler - Chaudiere - Kessel | 18 | 02 | 09/2023 |
| IO-51 | Impianti idraulici - Hydraulic circuits - Circuits hydrauliques - Wasser anlage | 20 | 01 | 09/2023 |
| IO-61 | Impianti elettrici - Electrical systems - Circuits electriques - Strom anlage | 22 | 01 | 09/2023 |
| IO-81 | Motopompa - Motor pump - Motopompe - Motor pump | 24 | 01 | 09/2023 |
| IO-91 | Filtri e portafiltri - Filters & filters holder - Filtres et porta filtres - Filter und filterhalter | 26 | 01 | 09/2023 |



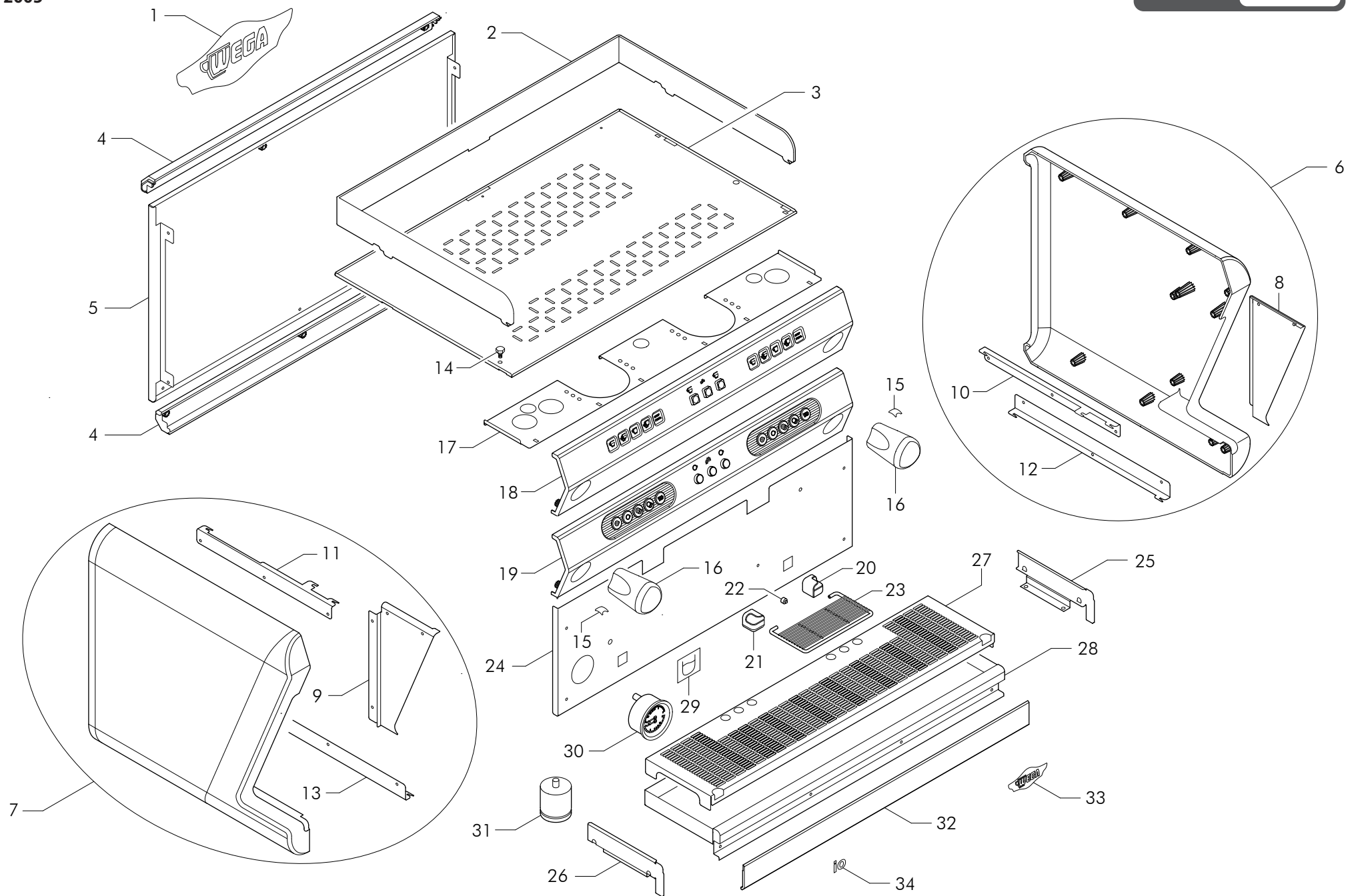
PANTONE 376

| Pos. | Code | Food | Descrizione - IT - | Description - EN - | Description - FR - | Beschreibung - DE - |
|------|--------------|------|--|--------------------------------------|----------------------------------|----------------------------|
| 1 | WY29089374 | | ETICHETTA WEGA ROSSA 50x140 | ADHESIVE LABEL WEGA RED 50X140 | ETIQUETTE ADHESIVE | KLEBEETIKETT |
| 2 | WY21162117 | | PLEXIGLASS SUPERIORE 2GR | PLEXIGLASS 2GR | PLEXIGLASS 2GR | PLEXIGLASS 2GR |
| 3 | WY76638111 | | GRIGLIA SUPERIORE 2GR INOX | TOP GRATE 2GR S.STEEL | GRILLE SUP. 2GR INOX | OBERGITTER 2GR STAHL |
| 4 | WY75549142 | | PROFILO 2GR GRIGIO | PROFILE 2GR | PROFIL 2GR | PROFIL 2GR |
| 5 | WY75549145 | | PANNELLO POSTERIORE 2GR VERDE FLUO | BACK PANEL 2GR GREEN | PANNEAU PSOT. 2GR VERT | RUCKWAND 2GR GRUN |
| 6 | WY56910194 | | FIANCO ASS.DX GRIGIO/VERDE | ASSEMBLY RIGHT SIDE GREEN | ASSEMBLE COTE DROIT VERT | RECHTS SEITE GRUN |
| 7 | WY56910195 | | FIANCO ASS.SX GRIGIO/VERDE | ASSEMBLY LEFT SIDE GREEN | ASSEMBLE COTE GAUCHE VERT | LINKS SEITE GRUN |
| 8 | WY77686313 | | PROFILO DESTRO FIANCO | RIGHT SIDE PROFIL | DROIT PROFIL | RECHTS PROFIL |
| 9 | WY77686314 | | PROFILO SINISTRO FIANCO | LEFT SIDE PROFIL | GAUCHE PROFIL | LINKS PROFIL |
| 10 | WY77686317 | | STAFFA SUPERIORE FIANCO DESTRO | RIGHT SIDE BRACKET | DROIT ETRIER | HALTERUNG RECHTS |
| 11 | WY77686318 | | STAFFA SUPERIORE FIANCO SINISTRO | LEFT SIDE BRACKET | GAUCHE ETRIER | HALTERUNG LINKS |
| 12 | WY77686315 | | STAFFA INFERIORE FIANCO DESTRO | RIGHT BRACKET | CROCHET DROIT | RECHTS KLAMMER |
| 13 | WY77686316 | | STAFFA INFERIORE FIANCO SINISTRO | LEFT BRACKET | CROCHET GAUCHE | LINKE KLAMMER |
| 14 | WY23420006 | | VITE TE BOMBATA M4x12 | SCREW M4x12 | VIS M4x12 | MESSING M4x12 |
| 15 | WY10459 | | MOLLA INTERNA MANOPOLA | STEEL FLAT SPRING FOR KNOB | RESSORT POIGNEE | FEDER HANDGRIFF |
| 16 | WY15278058 | | MANOPOLA RUBINETTO | KNOB | POIGNEE | HAHGRIFF |
| 17 | WY77307010 | | COPRIMPIANTO 2GR | CABLE COVER 2GR | COUVRE CABLAGE 2GR | VENDRAHTUNDECKEL 2GR |
| 18 | WY56901192 | | FRONTONE ASS.EVD/2 GRIGIO | ASSEMBLY FRONT PANEL EVD/2 GREY | ENSEMBLE PANNEAU EVD/2 GRIS | STIRNTAFEL EVD/2 GRAU |
| 19 | WY56901175 | | FRONTONE ASS.EVD/2 GRIGIO -19- | ASSEMBLY FRONT PANEL EVD/2 GREY -19- | ENSEMBLE PANNEAU EVD/2 GRIS -19- | STIRNTAFEL EVD/2 GRAU -19- |
| 20 | WY25006006 | | ASS.BLOCCHETTO A SFERA DESTRO | RIGHT GRID BLOCK | BLOC DE GRILLE DROITE | RECHTS KUGELRASTUNG |
| 21 | WY25006007 | | ASS.BLOCCHETTO A SFERA SINISTRO | LEFT GRID BLOCK | BLOC DE GRILLE GAUCHE | LINKEN KUGELRASTUNG |
| 22 | WY25006008 | | PERNO BLOCCO GRIGLIA A RIBALTA | GRID LOCK PIN FLAP | PIVOT DE BLOC POUR GRILLE | TURANGEL FUR BLOCK-GITTER |
| 23 | WY76149093 | | GRIGLIA RIALZO TAZZE FILO SALDATO | CUPS-STAND FOR RAISED GROUP | GRILLE POUR GROUPES REHAISSES | GITTER FUER HOHE GRUPPE |
| 24 | WY77062080 | | COPRICALDAIA 2GR INOX/LUC | BOILER COVER 2GR | COUVRE CHAUDIERE 2GR | KESSELDECKEL 2GR |
| 25 | WY77686311 | | GUIDA BACINELLA DESTRA | RIGHT BASIN GUIDE | DROIT CUVE GUIDE | RECHTS GUIDE |
| 26 | WY77686312 | | GUIDA BACINELLA SINISTRA | LEFT BASIN GUIDE | LINKS GUIDE | GAUCHE CUVE GUIDE |
| 27 | WY76149148 | | GRIGLIA BACINELLA 2GR | GRILL TRAY 2GR | PLATEAU DE GRILLADES 2GR | GRILLSCHALLE 2GR |
| 28 | WY76080116 | | BACINELLA SCARICO 2GR | BASIN 2GR | BASSIN 2GR | BECKEN 2GR |
| 29 | WY29052027 | | ETICHETTA ADESIVA SIMBOLO LIVELLO ACQUA | ADHESIVE LABEL WATER | ETIQ. ADHES. EAU | KLEBEETIKETTE WASSER |
| 30 | WY4621115001 | ● | MANOMETRO TONDO DOPPIA SCALA | PRESSURE GAUGE BLACK | MANOMETRE NOIR | MANOMWTER SCHWARZ |
| 31 | WY15318 | | PIEDINO REGOLABILE INOX/SAT H55/69 | ADJUSTABLE FOOT H55/69 | PIED REGLABLE H55/69 | REGELBARER FUSS H55/69 |
| 32 | WY75549143 | | PROFILO ANT.BACINELLA 2GR GRIGIO | FRONT PROFILE BASIN 2GR | BASSIN DE LA BARRE DE CHARGE 2GR | FRONTPROFIL BECKEN 2GR |
| 33 | WY29089399 | | ETICHETTA WEGA ROSSA 32x86 | ADHESIVE LABEL WEGA RED 32X86 | ETIQUETTE ADHESIVE ROUGE 32x86 | KLEBEETIKETT ROT 32x86 |
| 34 | WY29089359 | | TARGETTA ADESIVA "IO" CROMATA FONDO NERO | ADHESIVE LABEL -IO- | ETIQUETTE ADHESIVE -IO- | KLEBEETIKETT -IO- |



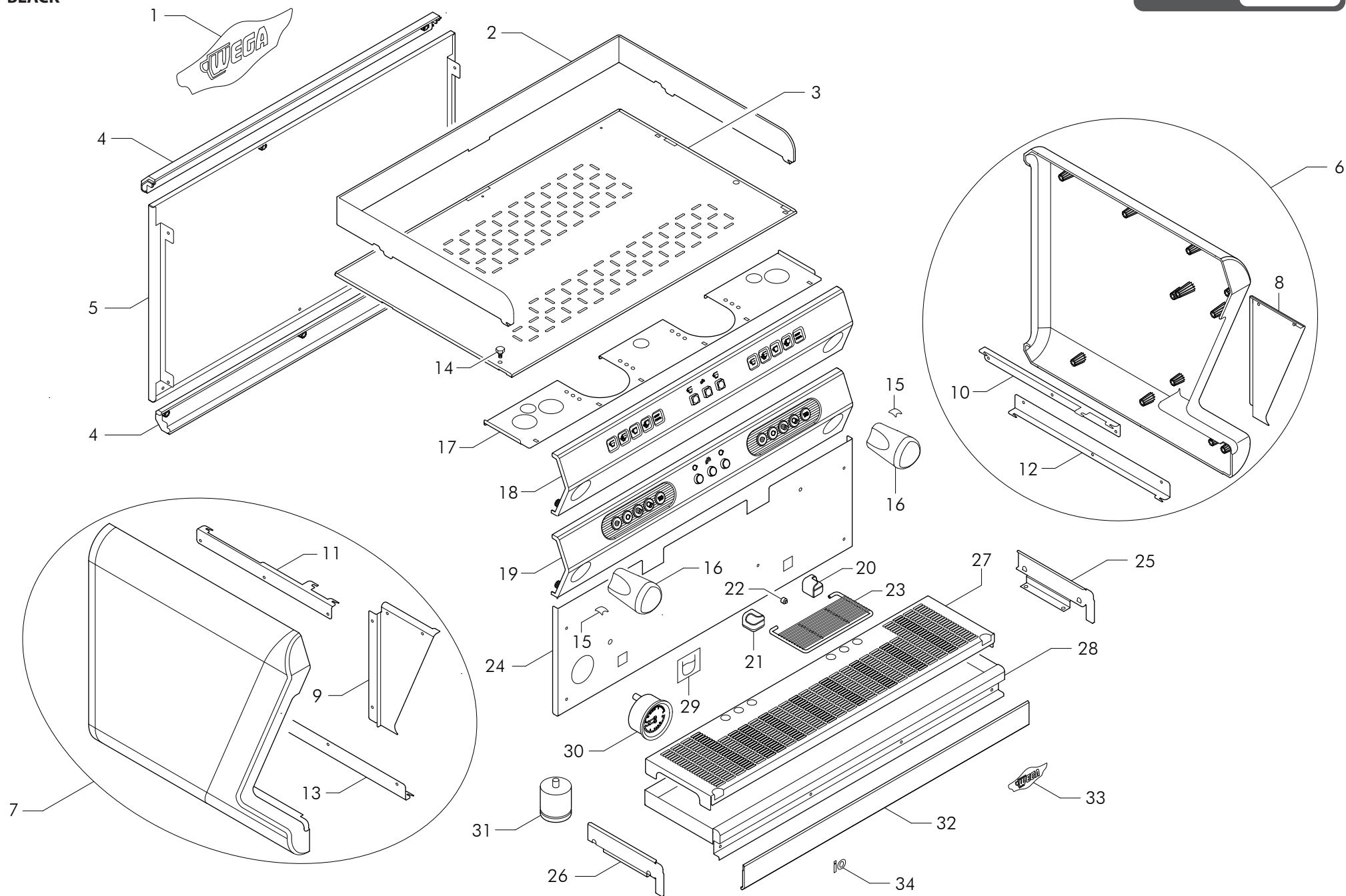
PEARLY WHITE

| Pos. | Code | Food | Descrizione - IT - | Description - EN - | Description - FR - | Beschreibung - DE - |
|------|--------------|------|--|--------------------------------------|----------------------------------|----------------------------|
| 1 | WY29089374 | | ETICHETTA WEGA ROSSA 50x140 | ADHESIVE LABEL WEGA RED 50X140 | ETIQUETTE ADHESIVE | KLEBEETIKETT |
| 2 | WY21162117 | | PLEXIGLASS SUPERIORE 2GR | PLEXIGLASS 2GR | PLEXIGLASS 2GR | PLEXIGLASS 2GR |
| 3 | WY76638111 | | GRIGLIA SUPERIORE 2GR INOX | TOP GRATE 2GR S.STEEL | GRILLE SUP. 2GR INOX | OBERGITTER 2GR STAHL |
| 4 | WY75549142 | | PROFILO 2GR GRIGIO | PROFILE 2GR | PROFIL 2GR | PROFIL 2GR |
| 5 | WY75549144 | | PANNELLO POSTERIORE 2GR BIANCO/PERLATO | BACK PANEL 2GR WHITE | PANNEAU POST. 2GR BLANC | RUCKWAND 2GR WEISS |
| 6 | WY56910198 | | FIANCO ASS.DX GRIGIO/BIANCO PERLATO | ASSEMBLY RIGHT SIDE WHITE | ASSEMBLE COTE DROIT BLANC | RECHTS SEITE WEISS |
| 7 | WY56910199 | | FIANCO ASS.SX GRIGIO/BIANCO PERLATO | ASSEMBLY LEFT SIDE WHITE | ASSEMBLE COTE GAUCHE BLANC | LINKS SEITE WEISS |
| 8 | WY77686313 | | PROFILO DESTRO FIANCO | RIGHT SIDE PROFIL | DROIT PROFIL | RECHTS PROFIL |
| 9 | WY77686314 | | PROFILO SINISTRO FIANCO | LEFT SIDE PROFIL | GAUCHE PROFIL | LINKS PROFIL |
| 10 | WY77686317 | | STAFFA SUPERIORE FIANCO DESTRO | RIGHT SIDE BRACKET | DROIT ETRIER | HALTERUNG RECHTS |
| 11 | WY77686318 | | STAFFA SUPERIORE FIANCO SINISTRO | LEFT SIDE BRACKET | GAUCHE ETRIER | HALTERUNG LINKS |
| 12 | WY77686315 | | STAFFA INFERIORE FIANCO DESTRO | RIGHT BRACKET | CROCHET DROIT | RECHTS KLAMMER |
| 13 | WY77686316 | | STAFFA INFERIORE FIANCO SINISTRO | LEFT BRACKET | CROCHET GAUCHE | LINKE KLAMMER |
| 14 | WY23420006 | | VITE TE BOMBATA M4x12 | SCREW M4x12 | VIS M4x12 | MESSING M4x12 |
| 15 | WY10459 | | MOLLA INTERNA MANOPOLA | STEEL FLAT SPRING FOR KNOB | RESSORT POIGNEE | FEDER HANDGRIFF |
| 16 | WY15278058 | | MANOPOLA RUBINETTO | KNOB | POIGNEE | HAHGRIFF |
| 17 | WY77307010 | | COPRIMPIANTO 2GR | CABLE COVER 2GR | COUVRE CABLAGE 2GR | VENDRAHTUNDECKEL 2GR |
| 18 | WY56901192 | | FRONTONE ASS.EVD/2 GRIGIO | ASSEMBLY FRONT PANEL EVD/2 GREY | ENSEMBLE PANNEAU EVD/2 GRIS | STIRNTAFEL EVD/2 GRAU |
| 19 | WY56901175 | | FRONTONE ASS.EVD/2 GRIGIO -19- | ASSEMBLY FRONT PANEL EVD/2 GREY -19- | ENSEMBLE PANNEAU EVD/2 GRIS -19- | STIRNTAFEL EVD/2 GRAU -19- |
| 20 | WY25006006 | | ASS.BLOCCHETTO A SFERA DESTRO | RIGHT GRID BLOCK | BLOC DE GRILLE DROITE | RECHTS KUGELRASTUNG |
| 21 | WY25006007 | | ASS.BLOCCHETTO A SFERA SINISTRO | LEFT GRID BLOCK | BLOC DE GRILLE GAUCHE | LINKEN KUGELRASTUNG |
| 22 | WY25006008 | | PERNO BLOCCO GRIGLIA A RIBALTA | GRID LOCK PIN FLAP | PIVOT DE BLOC POUR GRILLE | TURANGEL FUR BLOCK-GITTER |
| 23 | WY76149093 | | GRIGLIA RIALZO TAZZE FILO SALDATO | CUPS-STAND FOR RAISED GROUP | GRILLE POUR GROUPES REHAISSES | GITTER FUER HOHE GRUPPE |
| 24 | WY77062080 | | COPRICALDAIA 2GR INOX/LUC | BOILER COVER 2GR | COUVRE CHAUDIERE 2GR | KESSELDECKEL 2GR |
| 25 | WY77686311 | | GUIDA BACINELLA DESTRA | RIGHT BASIN GUIDE | DROIT CUVE GUIDE | RECHTS GUIDE |
| 26 | WY77686312 | | GUIDA BACINELLA SINISTRA | LEFT BASIN GUIDE | LINKS GUIDE | GAUCHE CUVE GUIDE |
| 27 | WY76149148 | | GRIGLIA BACINELLA 2GR | GRILL TRAY 2GR | PLATEAU DE GRILLADES 2GR | GRILLSCHALLE 2GR |
| 28 | WY76080116 | | BACINELLA SCARICO 2GR | BASIN 2GR | BASSIN 2GR | BECKEN 2GR |
| 29 | WY29052027 | | ETICHETTA ADESIVA SIMBOLO LIVELLO ACQUA | ADHESIVE LABEL WATER | ETIQ. ADHES. EAU | KLEBEETIKETTE WASSER |
| 30 | WY4621115001 | ● | MANOMETRO TONDO DOPPIA SCALA | PRESSURE GAUGE BLACK | MANOMETRE NOIR | MANOMWTER SCHWARZ |
| 31 | WY15318 | | PIEDINO REGOLABILE INOX/SAT H55/69 | ADJUSTABLE FOOT H55/69 | PIED REGLABLE H55/69 | REGELBARER FUSS H55/69 |
| 32 | WY75549143 | | PROFILO ANT.BACINELLA 2GR GRIGIO | FRONT PROFILE BASIN 2GR | BASSIN DE LA BARRE DE CHARGE 2GR | FRONTPROFIL BECKEN 2GR |
| 33 | WY29089399 | | ETICHETTA WEGA ROSSA 32x86 | ADHESIVE LABEL WEGA RED 32X86 | ETIQUETTE ADHESIVE ROUGE 32x86 | KLEBEETIKETT ROT 32x86 |
| 34 | WY29089359 | | TARGETTA ADESIVA "IO" CROMATA FONDO NERO | ADHESIVE LABEL -IO- | ETIQUETTE ADHESIVE -IO- | KLEBEETIKETT -IO- |



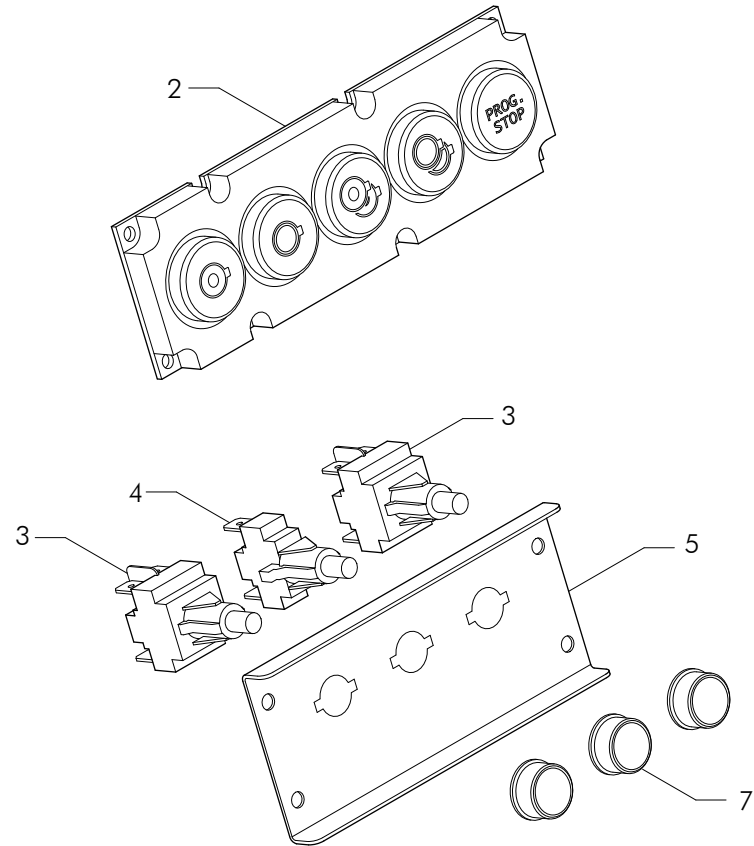
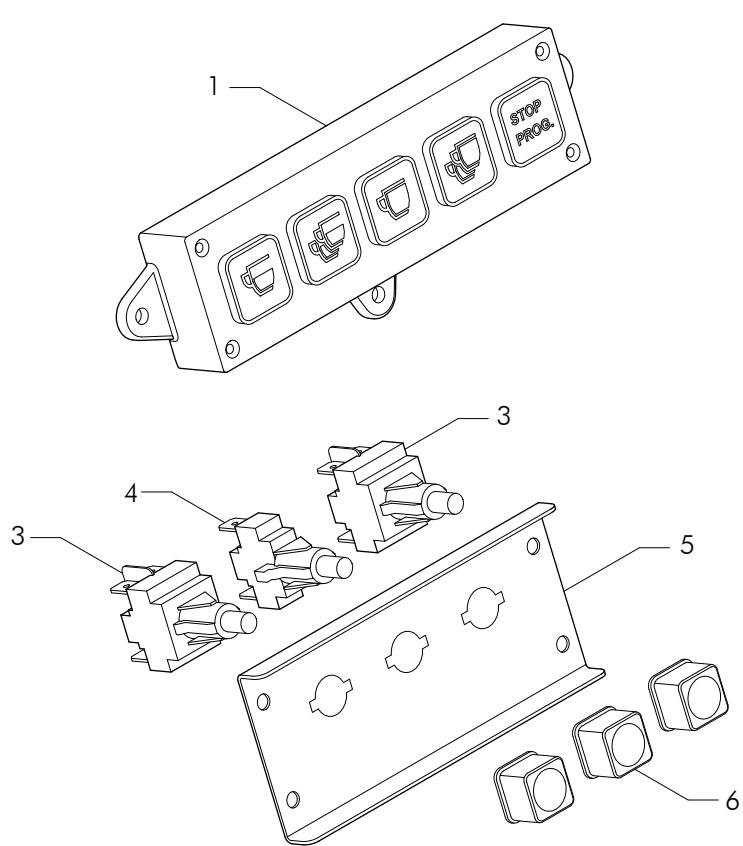
RAL 2005

| Pos. | Code | Food | Descrizione - IT - | Description - EN - | Description - FR - | Beschreibung - DE - |
|------|--------------|------|--|--------------------------------------|----------------------------------|----------------------------|
| 1 | WY29089374 | | ETICHETTA WEGA ROSSA 50x140 | ADHESIVE LABEL WEGA RED 50X140 | ETIQUETTE ADHESIVE | KLEBEETIKETT |
| 2 | WY21162117 | | PLEXIGLASS SUPERIORE 2GR | PLEXIGLASS 2GR | PLEXIGLASS 2GR | PLEXIGLASS 2GR |
| 3 | WY76638111 | | GRIGLIA SUPERIORE 2GR INOX | TOP GRATE 2GR S.STEEL | GRILLE SUP. 2GR INOX | OBERGITTER 2GR STAHL |
| 4 | WY75549142 | | PROFILO 2GR GRIGIO | PROFILE 2GR | PROFIL 2GR | PROFIL 2GR |
| 5 | WY75549146 | | PANNELLO POSTERIORE 2GR ARANCIO 2005 | BACK PANEL 2GR | PANNEAU POST. 2GR | RUCKWAND 2GR |
| 6 | WY56910196 | | FIANCO ASS.DX GRIGIO/ARANCIO | ASSEMBLY RIGHT SIDE ORANGE | ASSEMBLE COTE DROIT ORANGE | RECHTS SEITE ORANGE |
| 7 | WY56910197 | | FIANCO ASS.SX GRIGIO/ARANCIO | ASSEMBLY LEFT SIDE ORANGE | ASSEMBLE COTE GAUCHE ORANGE | LINKE SEITE ORANGE |
| 8 | WY77686313 | | PROFILO DESTRO FIANCO | RIGHT SIDE PROFIL | DROIT PROFIL | RECHTS PROFIL |
| 9 | WY77686314 | | PROFILO SINISTRO FIANCO | LEFT SIDE PROFIL | GAUCHE PROFIL | LINKS PROFIL |
| 10 | WY77686317 | | STAFFA SUPERIORE FIANCO DESTRO | RIGHT SIDE BRACKET | DROIT ETRIER | HALTERUNG RECHTS |
| 11 | WY77686318 | | STAFFA SUPERIORE FIANCO SINISTRO | LEFT SIDE BRACKET | GAUCHE ETRIER | HALTERUNG LINKS |
| 12 | WY77686315 | | STAFFA INFERIORE FIANCO DESTRO | RIGHT BRACKET | CROCHET DROIT | RECHTS KLAMMER |
| 13 | WY77686316 | | STAFFA INFERIORE FIANCO SINISTRO | LEFT BRACKET | CROCHET GAUCHE | LINKE KLAMMER |
| 14 | WY23420006 | | VITE TE BOMBATA M4x12 | SCREW M4x12 | VIS M4x12 | MESSING M4x12 |
| 15 | WY10459 | | MOLLA INTERNA MANOPOLA | STEEL FLAT SPRING FOR KNOB | RESSORT POIGNEE | FEDER HANDGRIFF |
| 16 | WY15278058 | | MANOPOLA RUBINETTO | KNOB | POIGNEE | HAHGRIFF |
| 17 | WY77307010 | | COPRIMPIANTO 2GR | CABLE COVER 2GR | COUVRE CABLAGE 2GR | VENDRAHTUNDECKEL 2GR |
| 18 | WY56901192 | | FRONTONE ASS.EVD/2 GRIGIO | ASSEMBLY FRONT PANEL EVD/2 GREY | ENSEMBLE PANNEAU EVD/2 GRIS | STIRNTAFEL EVD/2 GRAU |
| 19 | WY56901175 | | FRONTONE ASS.EVD/2 GRIGIO -19- | ASSEMBLY FRONT PANEL EVD/2 GREY -19- | ENSEMBLE PANNEAU EVD/2 GRIS -19- | STIRNTAFEL EVD/2 GRAU -19- |
| 20 | WY25006006 | | ASS.BLOCCHETTO A SFERA DESTRO | RIGHT GRID BLOCK | BLOC DE GRILLE DROITE | RECHTS KUGELRASTUNG |
| 21 | WY25006007 | | ASS.BLOCCHETTO A SFERA SINISTRO | LEFT GRID BLOCK | BLOC DE GRILLE GAUCHE | LINKEN KUGELRASTUNG |
| 22 | WY25006008 | | PERNO BLOCCO GRIGLIA A RIBALTA | GRID LOCK PIN FLAP | PIVOT DE BLOC POUR GRILLE | TURANGEL FUR BLOCK-GITTER |
| 23 | WY76149093 | | GRIGLIA RIALZO TAZZE FILO SALDATO | CUPS-STAND FOR RAISED GROUP | GRILLE POUR GROUPES REHAISSES | GITTER FUER HOHE GRUPPE |
| 24 | WY77062080 | | COPRICALDAIA 2GR INOX/LUC | BOILER COVER 2GR | COUVRE CHAUDIERE 2GR | KESSELDECKEL 2GR |
| 25 | WY77686311 | | GUIDA BACINELLA DESTRA | RIGHT BASIN GUIDE | DROIT CUVE GUIDE | RECHTS GUIDE |
| 26 | WY77686312 | | GUIDA BACINELLA SINISTRA | LEFT BASIN GUIDE | LINKS GUIDE | GAUCHE CUVE GUIDE |
| 27 | WY76149148 | | GRIGLIA BACINELLA 2GR | GRILL TRAY 2GR | PLATEAU DE GRILLADES 2GR | GRILLSCHALLE 2GR |
| 28 | WY76080116 | | BACINELLA SCARICO 2GR | BASIN 2GR | BASSIN 2GR | BECKEN 2GR |
| 29 | WY29052027 | | ETICHETTA ADESIVA SIMBOLO LIVELLO ACQUA | ADHESIVE LABEL WATER | ETIQ. ADHES. EAU | KLEBEETIKETTE WASSER |
| 30 | WY4621115001 | ● | MANOMETRO TONDO DOPPIA SCALA | PRESSURE GAUGE BLACK | MANOMETRE NOIR | MANOMWTER SCHWARZ |
| 31 | WY15318 | | PIEDINO REGOLABILE INOX/SAT H55/69 | ADJUSTABLE FOOT H55/69 | PIED REGLABLE H55/69 | REGELBARER FUSS H55/69 |
| 32 | WY75549143 | | PROFILO ANT.BACINELLA 2GR GRIGIO | FRONT PROFILE BASIN 2GR | BASSIN DE LA BARRE DE CHARGE 2GR | FRONTPROFIL BECKEN 2GR |
| 33 | WY29089399 | | ETICHETTA WEGA ROSSA 32x86 | ADHESIVE LABEL WEGA RED 32X86 | ETIQUETTE ADHESIVE ROUGE 32x86 | KLEBEETIKETT ROT 32x86 |
| 34 | WY29089359 | | TARGETTA ADESIVA "IO" CROMATA FONDO NERO | ADHESIVE LABEL -IO- | ETIQUETTE ADHESIVE -IO- | KLEBEETIKETT -IO- |

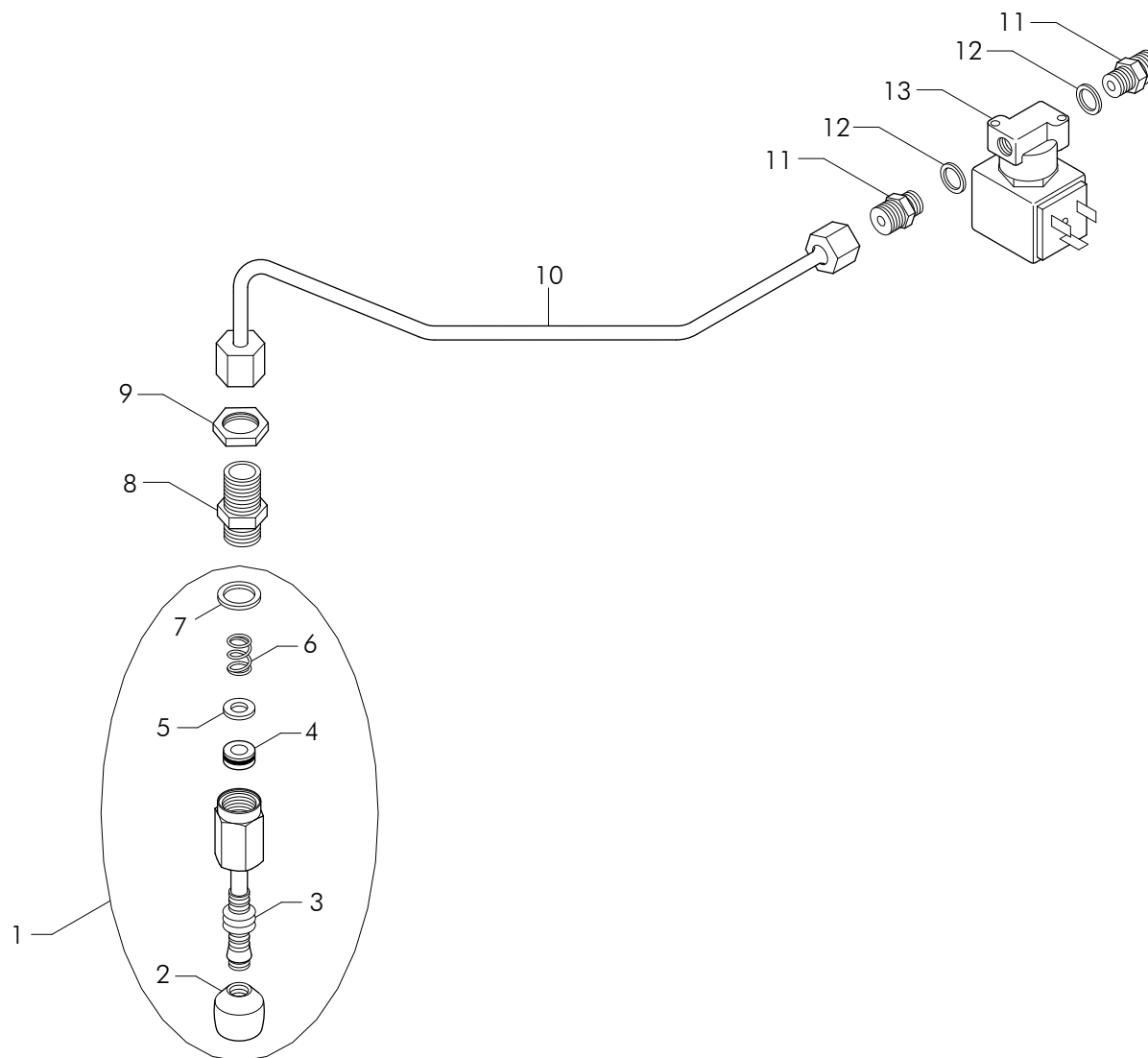


MAT BLACK

| Pos. | Code | Food | Descrizione - IT - | Description - EN - | Description - FR - | Beschreibung - DE - |
|------|--------------|------|--|--------------------------------------|----------------------------------|----------------------------|
| 1 | WY29089374 | | ETICHETTA WEGA ROSSA 50x140 | ADHESIVE LABEL WEGA RED 50X140 | ETIQUETTE ADHESIVE | KLEBEETIKETT |
| 2 | WY21162117 | | PLEXIGLASS SUPERIORE 2GR | PLEXIGLASS 2GR | PLEXIGLASS 2GR | PLEXIGLASS 2GR |
| 3 | WY76638111 | | GRIGLIA SUPERIORE 2GR INOX | TOP GRATE 2GR S.STEEL | GRILLE SUP. 2GR INOX | OBERGITTER 2GR STAHL |
| 4 | WY75549142 | | PROFILO 2GR GRIGIO | PROFILE 2GR | PROFIL 2GR | PROFIL 2GR |
| 5 | WY75549149 | | PANNELLO POSTERIORE 2GR NERO OPACO | BACK PANEL 2GR BLACK | PANNEAU POST. 2GR NOIR | RUCKWAND 2GR SCHWARZ |
| 6 | WY56910404 | | FIANCO ASS.DX GRIGIO/NERO | ASSEMBLY RIGHT SIDE BLACK | ASSEMBLE COTE DROIT NOIR | RECHTS SEITE SCHWARZ |
| 7 | WY56910405 | | FIANCO ASS.SX GRIGIO/NERO | ASSEMBLY LEFT SIDE BLACK | ASSEMBLE COTE GAUCHE NOIR | LINKS SEITE SCHWARZ |
| 8 | WY77686313 | | PROFILO DESTRO FIANCO | RIGHT SIDE PROFIL | DROIT PROFIL | RECHTS PROFIL |
| 9 | WY77686314 | | PROFILO SINISTRO FIANCO | LEFT SIDE PROFIL | GAUCHE PROFIL | LINKS PROFIL |
| 10 | WY77686317 | | STAFFA SUPERIORE FIANCO DESTRO | RIGHT SIDE BRACKET | DROIT ETRIER | HALTERUNG RECHTS |
| 11 | WY77686318 | | STAFFA SUPERIORE FIANCO SINISTRO | LEFT SIDE BRACKET | GAUCHE ETRIER | HALTERUNG LINKS |
| 12 | WY77686315 | | STAFFA INFERIORE FIANCO DESTRO | RIGHT BRACKET | CROCHET DROIT | RECHTS KLAMMER |
| 13 | WY77686316 | | STAFFA INFERIORE FIANCO SINISTRO | LEFT BRACKET | CROCHET GAUCHE | LINKE KLAMMER |
| 14 | WY23420006 | | VITE TE BOMBATA M4x12 | SCREW M4x12 | VIS M4x12 | MESSING M4x12 |
| 15 | WY10459 | | MOLLA INTERNA MANOPOLA | STEEL FLAT SPRING FOR KNOB | RESSORT POIGNEE | FEDER HANDGRIFF |
| 16 | WY15278058 | | MANOPOLA RUBINETTO | KNOB | POIGNEE | HAHGRIFF |
| 17 | WY77307010 | | COPRIMPIANTO 2GR | CABLE COVER 2GR | COUVRE CABLAGE 2GR | VENDRAHTUNDECKEL 2GR |
| 18 | WY56901192 | | FRONTONE ASS.EVD/2 GRIGIO | ASSEMBLY FRONT PANEL EVD/2 GREY | ENSEMBLE PANNEAU EVD/2 GRIS | STIRNTAFEL EVD/2 GRAU |
| 19 | WY56901175 | | FRONTONE ASS.EVD/2 GRIGIO -19- | ASSEMBLY FRONT PANEL EVD/2 GREY -19- | ENSEMBLE PANNEAU EVD/2 GRIS -19- | STIRNTAFEL EVD/2 GRAU -19- |
| 20 | WY25006006 | | ASS.BLOCCHETTO A SFERA DESTRO | RIGHT GRID BLOCK | BLOC DE GRILLE DROITE | RECHTS KUGELRASTUNG |
| 21 | WY25006007 | | ASS.BLOCCHETTO A SFERA SINISTRO | LEFT GRID BLOCK | BLOC DE GRILLE GAUCHE | LINKEN KUGELRASTUNG |
| 22 | WY25006008 | | PERNO BLOCCO GRIGLIA A RIBALTA | GRID LOCK PIN FLAP | PIVOT DE BLOC POUR GRILLE | TURANGEL FUR BLOCK-GITTER |
| 23 | WY76149093 | | GRIGLIA RIALZO TAZZE FILO SALDATO | CUPS-STAND FOR RAISED GROUP | GRILLE POUR GROUPES REHAISSES | GITTER FUER HOHE GRUPPE |
| 24 | WY77062080 | | COPRICALDAIA 2GR INOX/LUC | BOILER COVER 2GR | COUVRE CHAUDIERE 2GR | KESSELDECKEL 2GR |
| 25 | WY77686311 | | GUIDA BACINELLA DESTRA | RIGHT BASIN GUIDE | DROIT CUVE GUIDE | RECHTS GUIDE |
| 26 | WY77686312 | | GUIDA BACINELLA SINISTRA | LEFT BASIN GUIDE | LINKS GUIDE | GAUCHE CUVE GUIDE |
| 27 | WY76149148 | | GRIGLIA BACINELLA 2GR | GRILL TRAY 2GR | PLATEAU DE GRILLADES 2GR | GRILLSCHALLE 2GR |
| 28 | WY76080116 | | BACINELLA SCARICO 2GR | BASIN 2GR | BASSIN 2GR | BECKEN 2GR |
| 29 | WY29052027 | | ETICHETTA ADESIVA SIMBOLO LIVELLO ACQUA | ADHESIVE LABEL WATER | ETIQ. ADHES. EAU | KLEBEETIKETTE WASSER |
| 30 | WY4621115001 | ● | MANOMETRO TONDO DOPPIA SCALA | PRESSURE GAUGE BLACK | MANOMETRE NOIR | MANOMWTER SCHWARZ |
| 31 | WY15318 | | PIEDINO REGOLABILE INOX/SAT H55/69 | ADJUSTABLE FOOT H55/69 | PIED REGLABLE H55/69 | REGELBARER FUSS H55/69 |
| 32 | WY75549143 | | PROFILO ANT.BACINELLA 2GR GRIGIO | FRONT PROFILE BASIN 2GR | BASSIN DE LA BARRE DE CHARGE 2GR | FRONTPROFIL BECKEN 2GR |
| 33 | WY29089399 | | ETICHETTA WEGA ROSSA 32x86 | ADHESIVE LABEL WEGA RED 32X86 | ETIQUETTE ADHESIVE ROUGE 32x86 | KLEBEETIKETT ROT 32x86 |
| 34 | WY29089359 | | TARGETTA ADESIVA "IO" CROMATA FONDO NERO | ADHESIVE LABEL -IO- | ETIQUETTE ADHESIVE -IO- | KLEBEETIKETT -IO- |

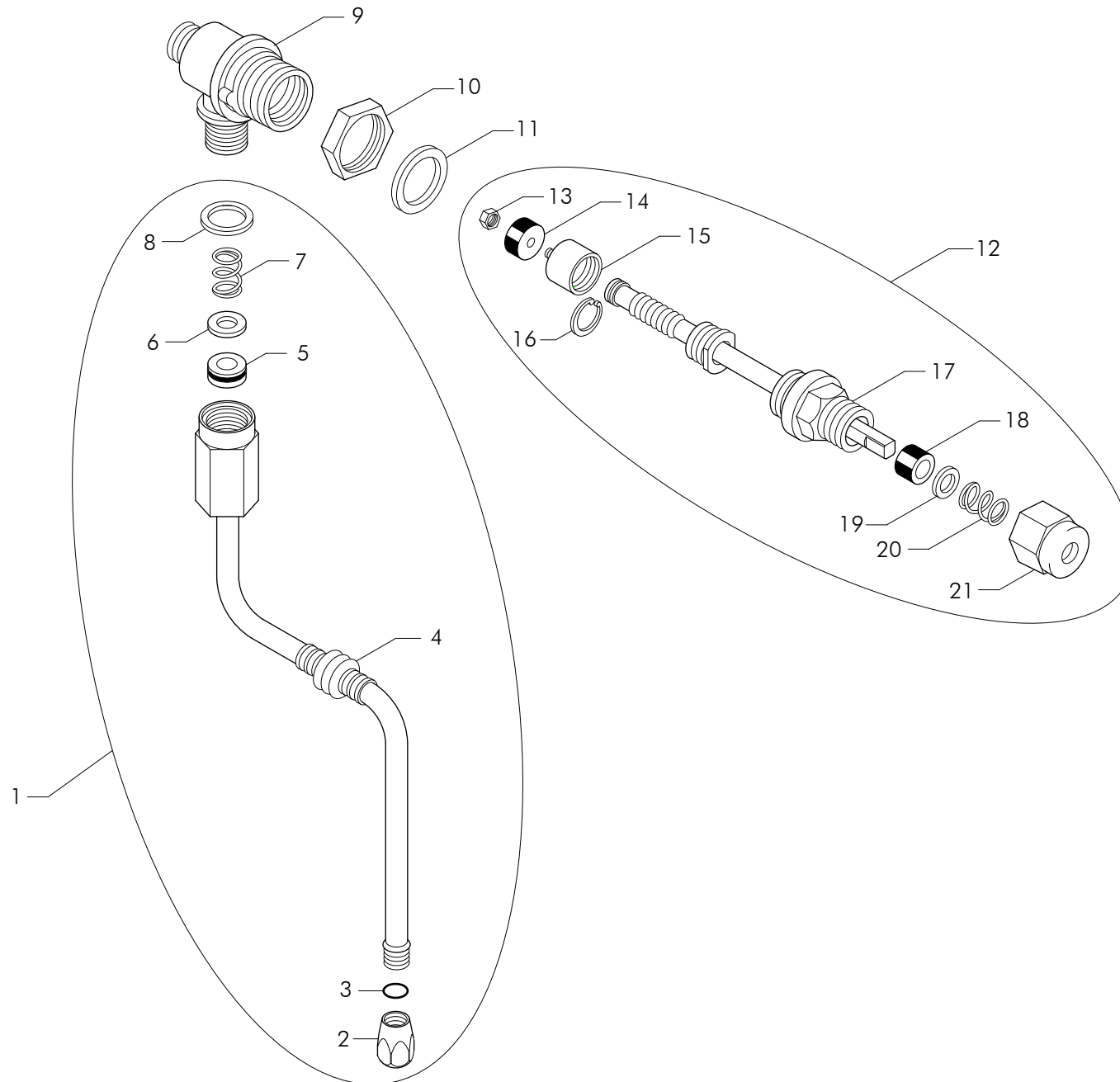


| Pos. | Code | Food | Descrizione - IT - | Description - EN - | Description - FR - | Beschreibung - DE - |
|------|---------------|------|--------------------------------------|------------------------|-------------------------------|----------------------------|
| 1 | WY8318371196R | | KIT PULSANTIERA | KIT PUSH BUTTON | KIT CLAVIER | KIT BEDIENBLENDEN |
| 2 | WY18371262 | | PULSANTIERA 5T IO -2019- | PUSH BUTTON 5K -2019- | CLAVIER 5B IO -2019- | BEDIENBLENDEN 5B IO -2019- |
| 3 | WY18371295 | | INTERRUTTORE BIPOLARE E0020 EU | TWO POLE SWITCH | INTERRUPTEUR BIPOLAIRE | ZWEIPOLIGER SCHALTER |
| 4 | WY18371297 | | PULSANTE UNIPOLARE | SINGLE POLE PUSHBUTTON | BOUTON-POUSSOIR UNIPOLAIRE | EINPOLIGER TASTER |
| 5 | WY77686331 | | PIASTRINA SUPPORTO INTERRUTTORI 2GR | SWITCH SUPPORT PLATE | PLAQUE DE SUPPORT COMMUTATEUR | SCHALTER TRAGERPLATTE |
| 6 | WY15373076 | | TASTO CROMATO | CHROMED KEY | TOUCHE CHROMEE | CHROM TASTE |
| 7 | WY15373060 | | TASTO PULSANTIERE MECCANICHE CROMATO | CHROMED KEY | TOUCHE CHROMEE | CHROM TASTE |



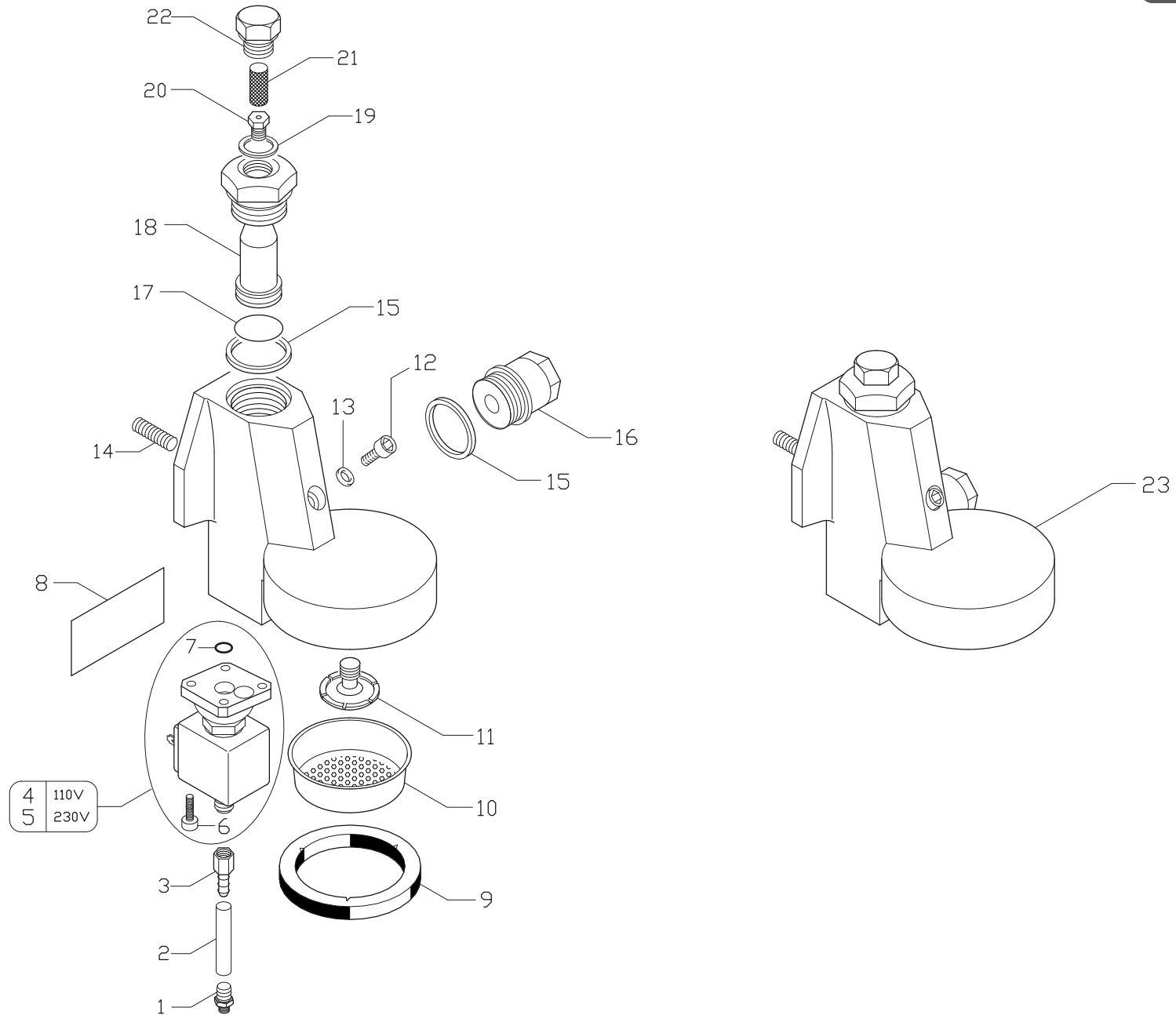
ACQUA - WATER - EAU - WASSER

| Pos. | Code | Food | Descrizione - IT - | Description - EN - | Description - FR - | Beschreibung - DE - |
|------|--------------|------|--|--|--|---|
| 1 | WY25763185 | ● | TUBO ACQUA MOBILE INOX | WATER TAP UNIT | ENSEMBLE ROBINET EAU | WASSER ROHRSATZ |
| 2 | WY4725763142 | ● | SPRUZZATORE ACQUA INOX | EXTERNAL WATER NOZZLE | ATOMISEUR D'EAU EXTERIEUR | WASSERDUSE CHROM DAMPF |
| 3 | WY15296000 | | GOMMINO ANTISCOTTATURA D-8 | ANTI-BURNING RUBBER D-8 | ELEMENT ANTI-BRULURE D-8 | GUMMI GEGEN VERBRENNUNGEN F. D-8 |
| 4 | WY12661 | ● | GUARNIZIONE OR CON LUNETTA P.MOLLA 10 PZ | OR REST FOR ST.STEEL STEAM PIPE 10 PCS | OR LUNETTE P.RESSORT TUYAU VAP. INOX 10 PCES | HALBE OR-DICHT.F.FEDER DAMPFROHR ED 10 ST |
| 5 | WY23260018 | ● | RONDELLA ELASTICA D-14,2 Sp.1 | WASHER D-14,2 | RONDELLE D-14,2 | SCHEIBE D-14,2 |
| 6 | WY10465001 | ● | MOLLA De 11,4 Df1,7 AISI 302 | STEAM SPRING S.STEEL | RESSORT AISI | DAMPF HAHNFEDEN STAHL |
| 7 | WY12010005 | ● | GUARNIZIONE TEFLON 20x17x1,5 | GASKET TEFLON 20x17x1,5 | JOINT TEFLON 20x17x1,5 | TEFLON DICHTUNG 320x17x1,5 |
| 8 | WY4925681002 | ● | RACCORDO CANNA H2O/VAP | E22 H2O/STEAM TUBE FITTING | RACCORD CONDUIT H2O/VAP E22 | SCHLAUCHANSCHLUSS H2O/DAMPF E22 |
| 9 | WY25356 | | CONTRODADO OTTONE 3/8 | BRASS LOCK NUT 3/8 | CONTRE-ECROU LAITON 3/8 | MESSING-GEGENMUTTER 3/8 |
| 10 | WY4952000390 | ● | TUBO D-6 L.360 | TUBE D-6 L.360 | TUYAU D-6 L.360 | ROHR D-6 L.360 |
| 11 | WY4925707003 | ● | RACCORDO DRITTO 1/8x1/4 | STRAIGHT CONNECTOR 1/8-1/4 | RACCORD 1/8-1/4 | ANSCHLUSS 1/8-1/4 |
| 12 | WY12156003 | ● | GUARNIZIONE RAME 1/8 Sp.2 | GASKET 1/8 Sp.2 COPPE | JOINT CUIVRE 1/8 Sp. | KUPFERDICHTUNG 1/8 Sp. |
| 13 | WY4918162005 | ● | ELETTROVALVOLA AEA 220-240V 50-60Hz VDE | SOL.VALVE WATER REFILL 220/240 50/60HZ VDE | ELECTROVANNE REA 220/240V 50/60Hz VDE | ELEKTROVENTIL AWZ 230/250 V 50/60 Hz VDE |

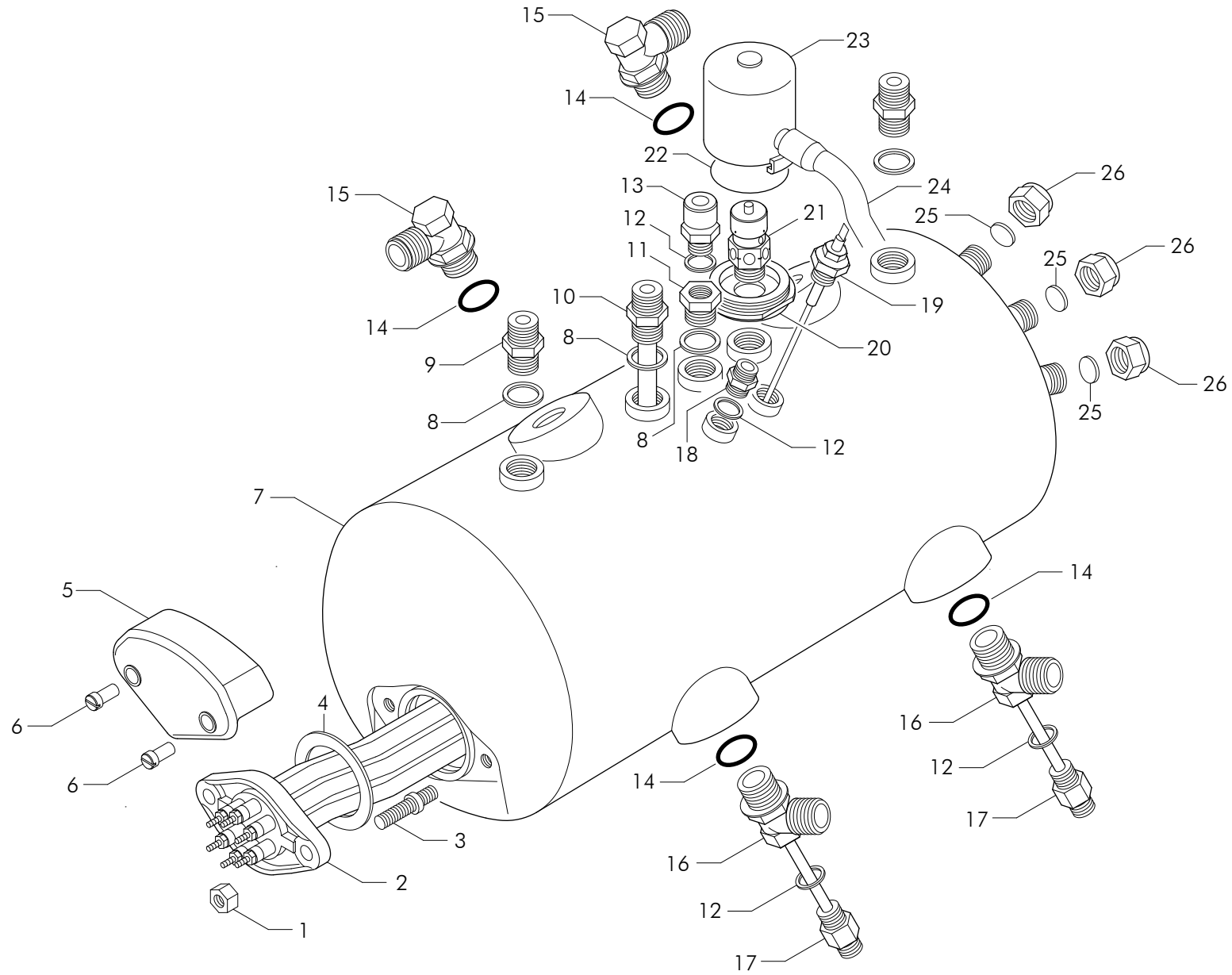


VAPORE - STEAM - VAPEUR - DAMPF

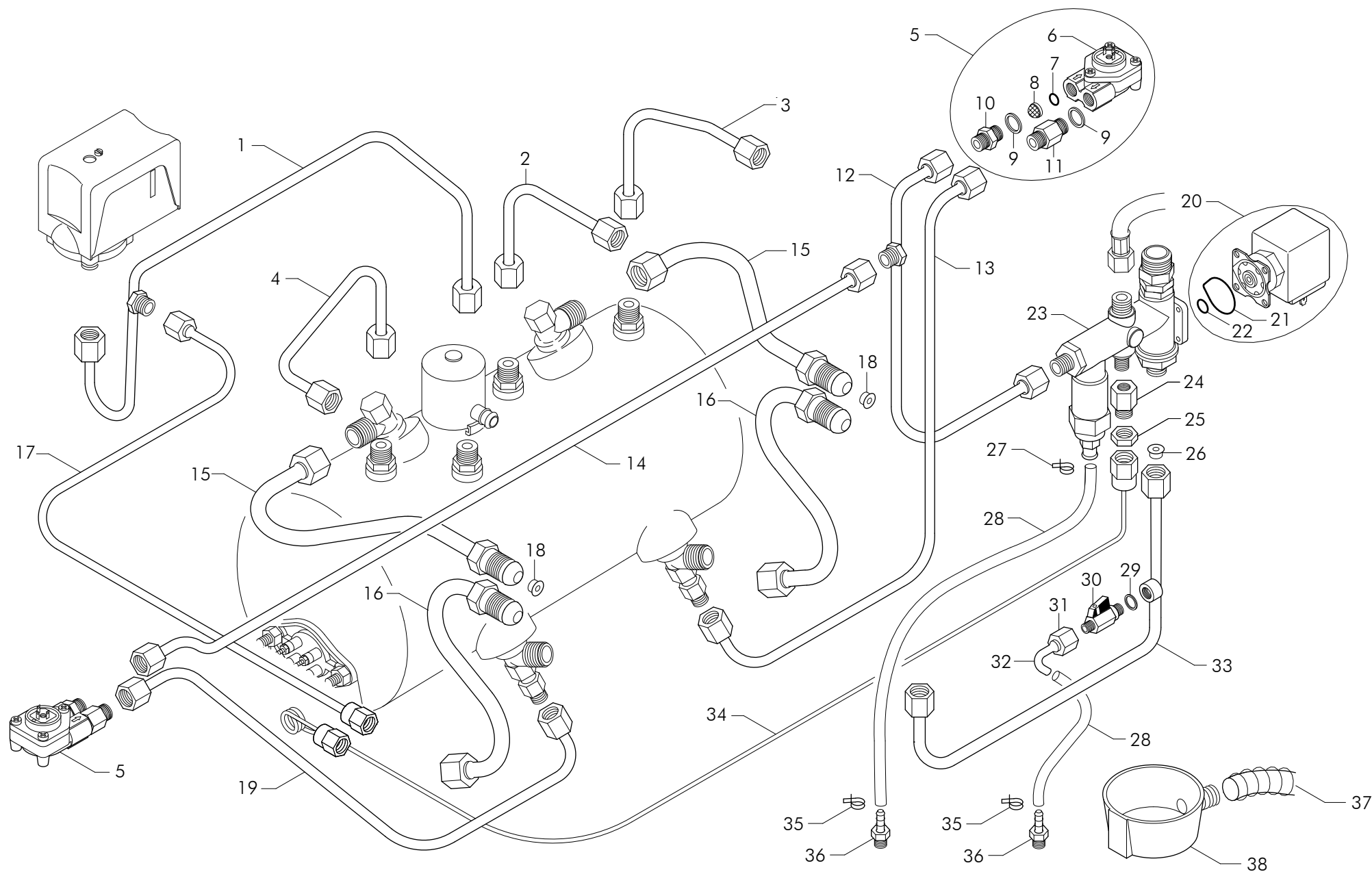
| Pos. | Code | Food | Descrizione - IT - | Description - EN - | Description - FR - | Beschreibung - DE - |
|------|--------------|------|--|--|--|---|
| 1 | WY25763117 | ● | TUBO VAPORE INOX D.8 | STEAM PIPE ASSEMBLY D.8 | TUYAU VAPEUR D.8 | DAMPFROHRSATZ D-8 |
| 2 | WY25763080 | ● | SPRUZZATORE VAPORE 4 FORI TUBO D.8 | STEEL STEAM SPRAYER | VAPORISATEUR INOX | STAHLDAMPFER |
| 3 | WY12662000 | ● | GU ORM 0050-15 5.00X1.50 HNBR 70SHA NERO | GASKET OR | JOINT OR | DICHTUNG OR |
| 4 | WY15296000 | | GOMMINO ANTISCOTTATURA D-8 | ANTI-BURNING RUBBER D-8 | ELEMENT ANTI-BRULURE D-8 | GUMMI GEGEN VERBRENNUNGEN F. D-8 |
| 5 | WY12661 | ● | GUARNIZIONE OR CON LUNETTA P.MOLLA 10 PZ | OR REST FOR ST.STEEL STEAM PIPE 10 PCS | OR LUNETTE P.RESSORT TUYAU VAP. INOX 10 PCES | HALBE OR-DICHT.F.FEDER DAMPFROHR ED 10 ST |
| 6 | WY23260018 | ● | RONDELLA ELASTICA D-14,2 Sp.1 | WASHER D-14,2 | RONDELLE D-14,2 | SCHEIBE D-14,2 |
| 7 | WY10465001 | ● | MOLLA De 11,4 Df1,7 AISI 302 | STEAM SPRING S.STEEL | RESSORT AISI | DAMPF HAHNFEDEN STAHL |
| 8 | WY12010005 | ● | GUARNIZIONE TEFLON 20x17x1,5 | GASKET TEFLON 20x17x1,5 | JOINT TEFLON 20x17x1,5 | TEFLON DICHTUNG 320x17x1,5 |
| 9 | WY4953003 | ● | CORPO RUBINETTO | TAP BODY | CORPS DE ROBINET | HAHNKORPER |
| 10 | WY25384 | | DADO OTTONE M26x1.5 | BRASS NUT 26X1.5 | ECROU LAITON 26X1.5 | MESSING-MUTTER 26X1.5 |
| 11 | WY12158 | ● | GUARNIZIONE 26x20.5x2 | GASKET 26x20.5x2 | JOINT 26x20.5x2 | DICHTUNG 26x20.5x2 |
| 12 | WY4956105011 | ● | RUBINETTO AP/SX ROTAZIONE LIMITATA | LIMITED ROTATION TAP | ROBINET | HAHN STAB |
| 13 | WY23050 | | DADO OTTONE M3 | BRASS NUT M3 | ECROU LAITON M3 | MESSING-MUTTER M3 |
| 14 | WY12203 | ● | GUARNIZIONE HNBR 15x4x4 10 PZ | RUBBER GASKET 15x4x4 10 PCS | JOINT EN CAOUTCHOUC 15X4X4 10 PCES | GUMMIDICHTUNG 15x4x4 10 ST |
| 15 | WY4925616 | ● | PISTONCINO RUBINETTO | TAP JUMPER | PISTON ROBINET | HAHNKOLBEN |
| 16 | WY10001 | ● | ANELLO ARRESTO D6 INOX | STEEL CIRCLIP | CIRCLIP INOX | STAHLHALTENRING |
| 17 | WY4925678001 | ● | RACCORDO RUBINETTO | TAP FITTING | RACCORD ROBINET | HAHNANSCHLUSSTUCK |
| 18 | WY12204 | ● | GUARNIZIONE GOMMA RUBINETTO 12.5x7.5x9 10 PZ | TAP RUBBER GASKET 12.5x7.5x9 10 PCS | JOINT CAOUTCHOUC ROB. 12.5X7.5X9 10 PCES | HAHNDICHTUNG 12.5x7.5x9 10 ST |
| 19 | WY25655052 | ● | DISCHETTO ASTA RUBINETTO | DISKETTE TAP ROS | DISQUETTE TIGE ROBINET | DISKETTE |
| 20 | WY10452 | ● | MOLLA RUBINETTO ACQUA/VAPORE N4 | WATER/STEAM TAP SPRING N4 | RESSORT DE ROBINET EAU-VAPEUR N4 | WASSER/DAMPF HAHNFEDER N4 |
| 21 | WY25385001 | | DADO PREMISTOPPA RUBINETTO | TAP STUFFING NUT | ECROU DE PRESSE-ETOUPE ROBINET | STOPFBUCHSE MUTTER - HAHN |



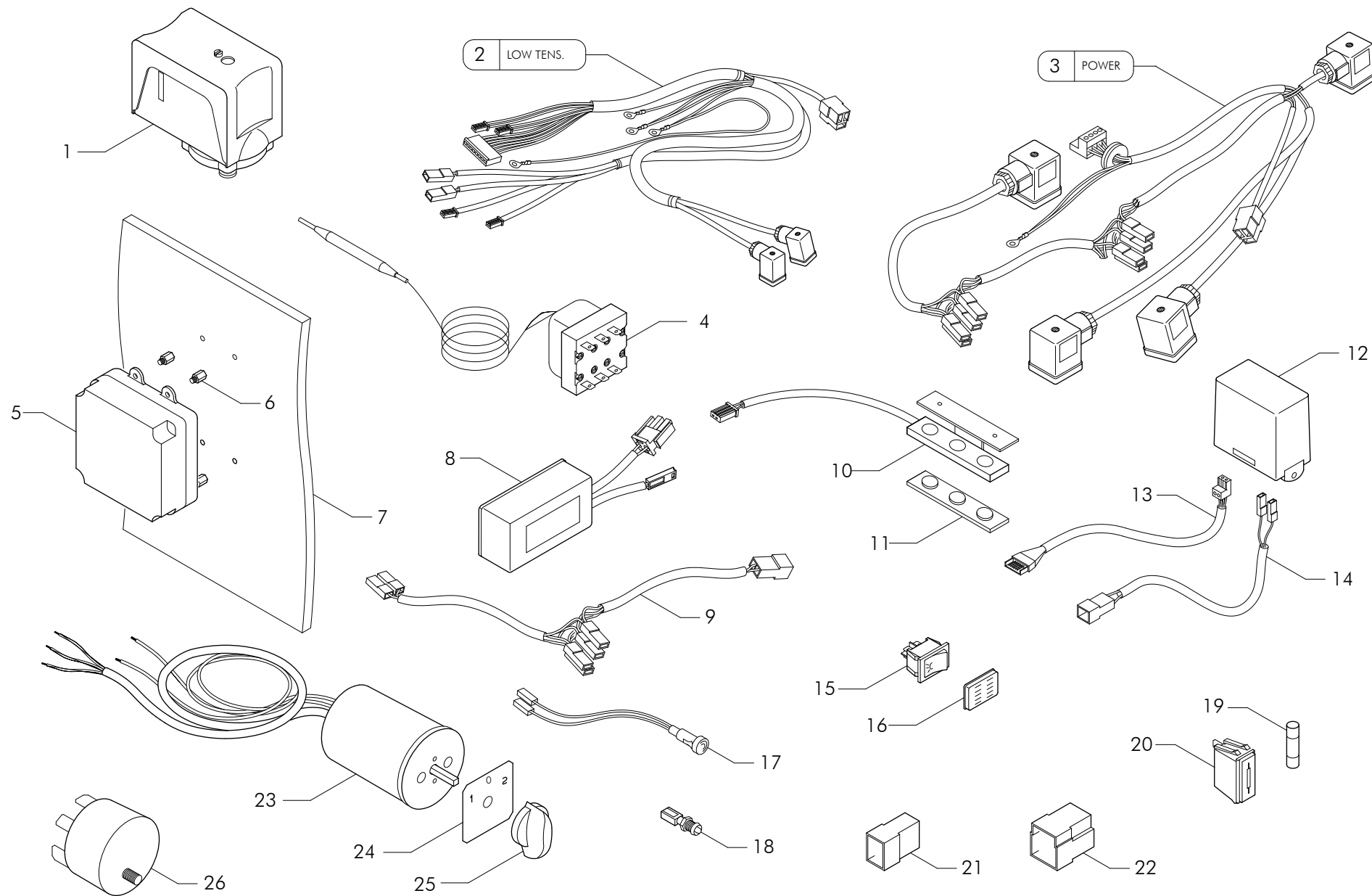
| Pos. | Code | Food | Descrizione - IT - | Description - EN - | Description - FR - | Beschreibung - DE - |
|------|-----------------|------|--|--|---------------------------------------|---|
| 1 | WY23221006 | | PORTAGOMMA 1/8M D.8 | HOSE CONNECTION 1/8M | PORTE-CAOUTCHOUC 1/8M | GUMMIHALTER 1/8M |
| 2 | WY15452141 | ● | TUBO SILICONE D-7x11 L.55 | TUBE SILICONE D-7x11 L.55 | TUYAU SILICONE D-7x11 L.55 | SILIKONROHR D7x11 L.55 |
| 3 | WY4823228022 | ● | RACCORDO DRITTO 1/8F + PORTAGOMMA D-8 | HOSE CONNECTION 1/8F D-8 | PORTE-CAOUTCHOUC 1/8F D-8 | GUMMIHALTER 1/8F D-8 |
| 4 | WY834718181015R | ● | KIT ELETTROVALVOLA GRUPPO 110-120V | GROUP SOLENOID VALVE 110-120V KIT | KIT ELECTROVANNE GROUPE 110-120V | KIT MAGNETVENTIL GRUPPE 110-120V |
| 5 | WY834918151R | ● | KIT ELETTROVALVOLA GRUPPO 230V | GROUP SOLENOID VALVE 230V KIT | KIT ELECTROVANNE GROUPE 230V | MAGNETVENTIL GRUPPE KIT 230V |
| 6 | WY23551 | | VITE TCEI INOX 4x12 | STEEL SCREW TCCE 4x12 | VIS INOX TCCE 4x12 | STAHLSCHRAUBE TCCE 4x12 |
| 7 | WY12305 | ● | GUARNIZIONE OR | O RING | JOINT OR | O-RINGDICHT |
| 8 | WY29070104 | | ETICHETTA ADESIVA ARGENTO LUCIDO | LABEL | ETIQUETTE | ETIKETTE |
| 9 | WY12227 | ● | GUARNIZIONE SOTTOCOPPA 73,5x57,5x8 10 PZ | GROUP UNDERCUP SEAL 73,5x57,5x8 10 PCS | JOINT SOUCOUCPE 73,5X57,5X8 10 PCES | FILTERGRIFFDICHTUNG 73,5x57,5x8 10 ST |
| 9 | WY12228 | ● | GUARNIZIONE SOTTOCOPPA 73,5x57,5x8,5 10 PZ | GROUP UNDERCUP SEAL 73,5x57,8x8,5 10 PCS | JOINT SOUCOUCPE 73,5X57,5X8,5 10 PCES | FILTERGRIFFDICHTUNG 73,5x57,5x8,5 10 ST |
| 10 | WY27104 | ● | DOCCETTA GRUPPO INOX CF 10 PZ | S.STEEL GROUP SHOWER 10 PCS | DOUCHETTE GROUPE INOX 10 PCES | DUSCHE VERTEILEREINHEIT 10 ST |
| 11 | WY4927105 | ● | DIFFUSORE GRUPPO W555 CW510L | Diffuser plate-Wega | DIFFUSEUR GROUPE | DIFFUSOR VERTEILEREINHEIT |
| 12 | WY23558 | | VITE TCEI INOX M6x8 | STEEL SCREW TCCE 6x8 | VIS INOX TCCE 6x8 | STAHLSCHRAUBE TCCE 6x8 |
| 13 | WY12103 | ● | GUARNIZIONE RAME | CU GASKET | JOINT CU DE | CU DICHTUNG |
| 14 | WY10405004 | | GRANO EI M8x25 PUNTA PIANA INOX | GRUB SCREW M8x25 STEEL | GRAIN M8X25 POINTE PLETE INOX | STAHLGEWINDESTIFT M8X25 FLACHSPITZE |
| 15 | WY12023 | ● | GUARNIZIONE TEFLON | TEFLON GASKET | JOINT TEFLON | TEFLON DICHTUNG |
| 16 | WY4927120 | ● | TAPPO GRUPPO CW510L | DISTRIBUTION GROUP CAP CW510L | BOUCHON GROUPE DEBIT CW510L | STOPFEN DER ABGABEGRUPPE CW510L |
| 17 | WY12024 | ● | GUARNIZIONE OR VITON | VITON O RING GASKET | JOINT OR | OR DICHTUNG |
| 18 | WY4927119 | ● | FUNGO GRUPPO CW510L | DISTRIBUTION GROUP CW510L | FONGUS GROUPE DEBIT CW510L | AUSGABEGRUPPE FUNGUS CW510L |
| 19 | WY12025 | ● | GUARNIZIONE TEFLON | TEFLON GASKET | JOINT TEFLON | TEFLON DICHTUNG |
| 20 | WY4910300C | ● | GIGLER OTTONE D-0.7 | BRASS JET D-0.7 | GICLEUR LAITON D-0.7 | GIGLEUR MESSING D-0.7 |
| 21 | WY10253 | ● | FILTRO GIGLER | JET FILTER | FILTRE GICLEUR | DUSE FILTER |
| 22 | WY4927118 | ● | TAPPO GIGLER CW510L | JET CAP | BOUCHON GICLEUR | STOPFEN DUSE |
| 23 | WY4926102010 | ● | GRUPPO EROGAZIONE | DISTRIBUTION GROU | GROUPE DEBI | AUGABEGRUPP |



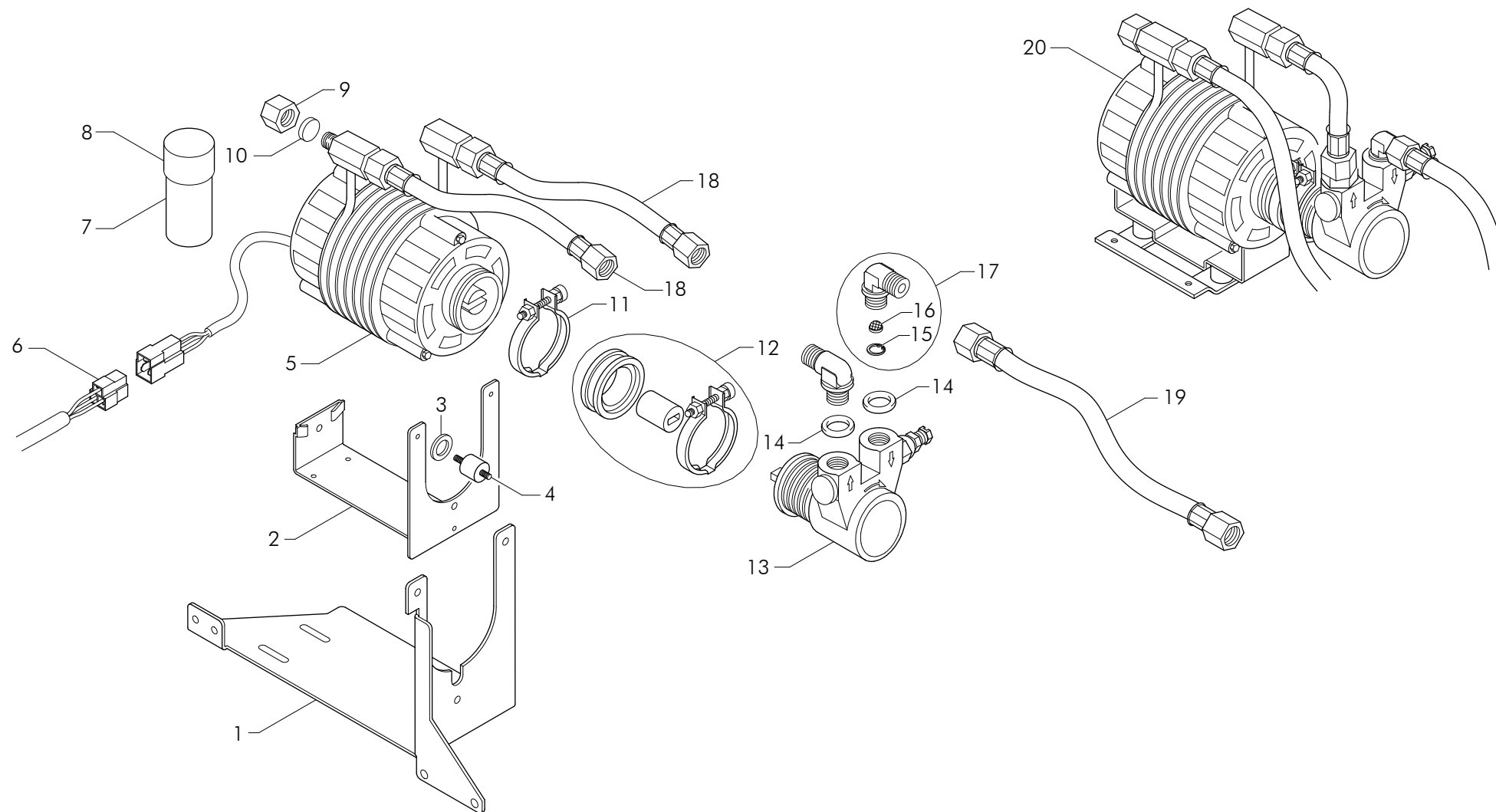
| Pos. | Code | Food | Descrizione - IT - | Description - EN - | Description - FR - | Beschreibung - DE - |
|------|--------------|------|---------------------------------------|---------------------------------------|------------------------------------|------------------------------------|
| 1 | WY23049 | | DADO OTTONE M8 | BRASS NUT M8 | ECROU LAITON M8 | MESSING-SCHRAUBENMUTTER M8 |
| 2 | WY4617059 | ● | RESISTENZA 2GR 6P 230/240V 3400/3700W | HEATING ELEM. 2GR 220/240V 3400/3700W | RESISTANCE 2GR 220/240V 3400/3700W | HEIZKORPER 2GR 220/240V 3400/3700W |
| 3 | WY23132001 | | PRIGIONIERO INOX M8 | M8 STAINLESS STEEL BOTTOM STUD | PRISONNIER INOX M8 | STIFTSCHRAUBE EDELSTAHL M8 |
| 4 | WY12001 | ● | GUARNIZIONE TEFLON 58x43x2 10 PZ | TEFLON GASKET 58x43x2 10 PCS | JOINT TEFLON 58x43x2 10 PCS | TEFLON DICHTUNG 58x23x2 10 ST |
| 5 | WY15514112 | | PROTEZIONE RESISTENZA | HEATING ELEMENT COVER | COUVRE-RESISTENCE | HEIZKORPERDECKEL |
| 6 | WY15514113 | | BOCCOLA BLOCCAGGIO PROTEZIONE | BUSHING | BAGUE | BUSHING |
| 8 | WY12154001 | ● | GUARNIZIONE CU 3/8 22x17x2 | GASKET COPPER 3/8 22x17x2 | JOINT CUIVRE 3/8 22x17x2 | KUPFERDICHTUNG 3/8 22x17x2 |
| 9 | WY4925687 | ● | RACCORDO 3/8x3/8 | 3/8x3/8 FITTING | RACCORD 3/8x3/8 | ANSCHLUSS 3/8x3/8 |
| 10 | WY4952001612 | ● | TUBO D-10 L.115 | TUBE D-10 L.115 | TUYAU D-10 L.115 | ROHR D-10 L.115 |
| 11 | WY4925749002 | ● | RIDUZIONE 3/8M GAS - 1/4F | CONNECTOR 3/8M - 1/4F | RACCORD 3/8M - 1/4F | FITTING 3/8M - 1/4F |
| 12 | WY12153003 | ● | GUARNIZIONE RAME 1/4 Sp.2 | GASKET 1/4 Sp.2 COPPER | JOINT CUIVRE 1/4 Sp.2 | KUPFERDICHTUNG 1/4 Sp.2 |
| 13 | WY4756150101 | ● | VALVOLA ANTIRISUCCHIO V.A.R. | ANTI-EDDY VALVE V.A.R. | SOUPAPE ANTI-DEPRESSION V.A.R. | ANSAUGSCHUTZVENTIL V.A.R. |
| 14 | WY12300093 | ● | GUARNIZIONE OR NERO | O RING GASKET BLACK | JOINT OR NOIR | OR DICHTUNG SCHWARZ |
| 15 | WY4923214001 | ● | RACCORDO ORIENTABILE -L- 1/2 | ROTARY COUPLING -L- 1/2 | RACCORD ROTATIF | ROTARY KUPPLUNG |
| 16 | WY4923215001 | ● | RACCORDO ORIENTABILE -T- 1/2 | ROTARY COUPLING -T- 1/2 | RACCORD ROTATIF | ROTARY KUPPLUNG |
| 17 | WY4952002788 | ● | TUBO D-6 L.85 | TUBE D-6 L.85 | TUYAU D-6 L.85 | ROHR D-6 L.85 |
| 18 | WY4925686 | ● | RACCORDO 1/4Mx1/4M | CONNECTOR 1/4Mx1/4M | RACCORD 1/4Mx1/4M | ANSCHLUSS 1/4Mx1/4M |
| 19 | WY4620251 | ● | SONDA LIVELLO | LEVEL PROBE | JAUG | PEGELFUHLER |
| 20 | WY15006001 | | FLANGIA VALVOLA SICUREZZA | FLANGE VALVE | JOINT VANNE | FLANSCH VENTIL |
| 21 | WY4620352002 | ● | VALVOLA DI SICUREZZA *CE* | *CE* SAFETY VALVE | SOUPAPE DE SECURITE *CE* | SICHERHEITSVENTIL *CE* |
| 22 | WY12300000 | ● | GUARNIZIONE OR | GASKET O RING | JOINT OR | OR DICHTUNG |
| 23 | WY56009980 | | ASSIEME PROTEZIONE VALVOLE SICUREZZA | UNIT PROTECTION VALVE | ENSEMBLE PROTECTION VANNE | SATZ-SCHUTZGITTER VENTIL |
| 24 | WY15478002 | | TUBO SILICONE 8x11 L.70cm | SILICONE TUBE 8x11 L.70cm | TUYAU SILICONE 8x11 L.70cm | SILIKONROHR 8x11 L.70cm |
| 25 | WY12402002 | ● | GUARNIZIONE RAME PASTICCA 15X3 | GASKET COPPER 15X3 | JOINT CUIVRE 15X3 | KUPFERDICHTUNG 15X3 |
| 26 | WY25781 | ● | TAPPO FEMMINA 3/8 | FEMALE CAP 3/8 | BOUCHON FEMELLE 3/8 | STOPFEN 3/8 |



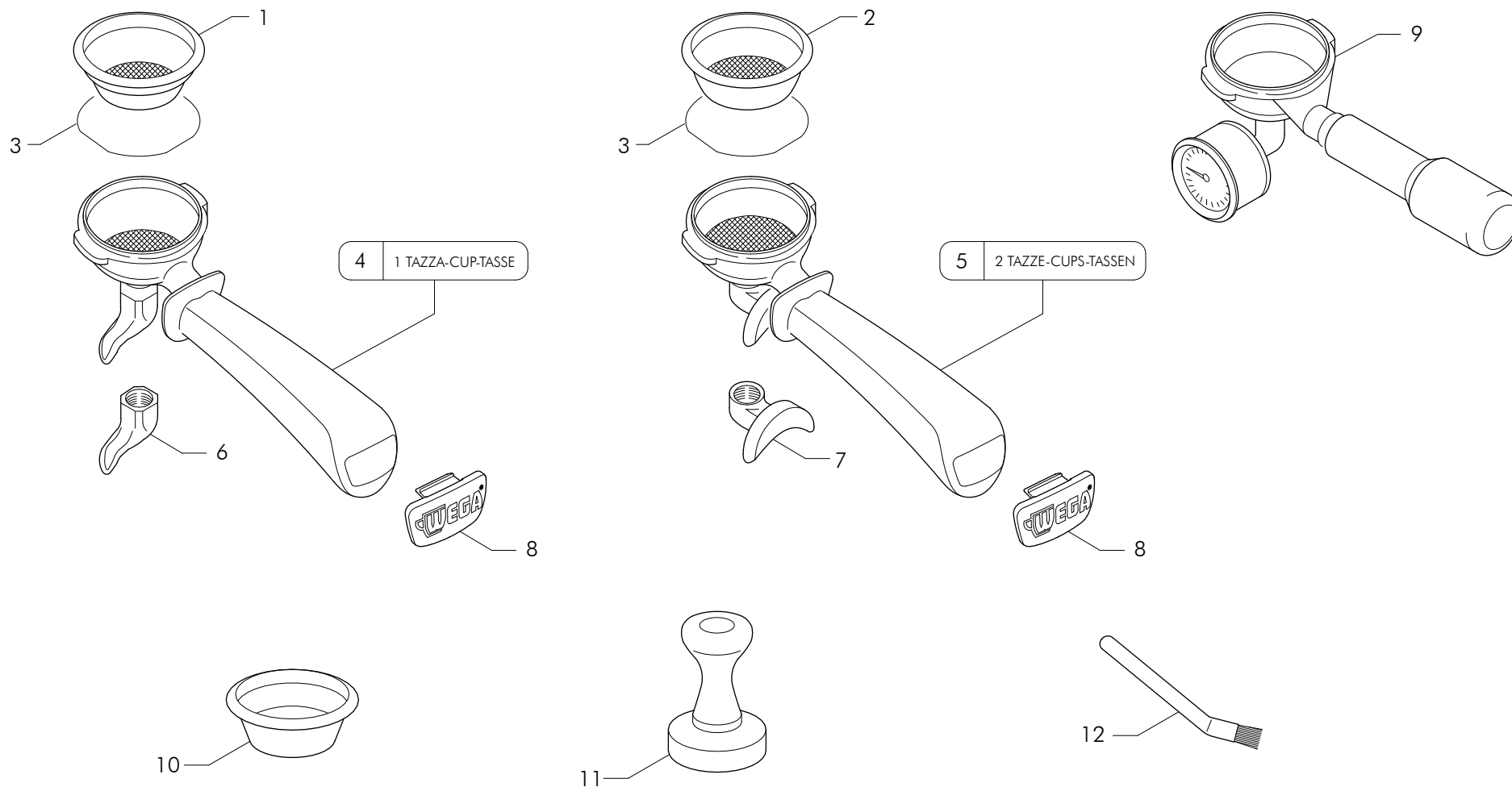
| Pos. | Code | Food | Descrizione - IT - | Description - EN - | Description - FR - | Beschreibung - DE - |
|------|--------------|------|---|-----------------------------------|--|--------------------------------------|
| 1 | WY4952001075 | ● | TUBO D-6 L.625 | TUBE D-6 L.625 | TUYAU D-6 L.625 | ROHR D-6 L.625 |
| 2 | WY4952000389 | ● | TUBO D-6 L.125 | TUBE D-6 L.125 | TUYAU D-6 L.125 | ROHR D-6 L.125 |
| 3 | WY4952000386 | ● | TUBO D-8 L.315 | TUBE D-8 L.315 | TUYAU D-8 L.315 | ROHR D-8 L.315 |
| 4 | WY4952000387 | ● | TUBO D-8 L.305 | TUBE D-8 L.305 | TUYAU D-8 L.305 | ROHR D-8 L.305 |
| 5 | WY4956122060 | ● | ASSIEME DOSATORE | DOSER KIT | KIT DOSEUR | DOSIERER |
| 7 | WY12329 | ● | GUARNIZIONE OR HNBR 7.66xW1.78 | GASKET OR HNBR 7.66xW1.78 | JOINT OR HNBR 7.66x1.78 | OR DICHTUNG HNBR 7.66xW1.78 |
| 8 | WY10254 | ● | FILTRO ACCIAIO 160-200 MESH | STEEL FILTER 160-200 MESH | FILTRE EN ACIER 160-200 MESH | STAHLFILTER 160-200 MESH |
| 9 | WY12152 | ● | GU CU VALVOLA SCNR 18x14.1x1.5 | VALVE COPPER GASKET 18X14.1X1.5 | JOINT CU CLAPET ANTI RETOUR | VENTILDICHTUNG 18x14.1x1.5 |
| 10 | WY4925686 | ● | RACCORDO 1/4Mx1/4M | CONNECTOR 1/4Mx1/4M | RACCORD 1/4Mx1/4M | ANSCHLUSS 1/4Mx1/4M |
| 11 | WY4925708 | ● | RACCORDO 1/4x1/4 | 1/4X1/4 CW510L fitting | RACCORD 1/4X1/4 | ANSCHLUSS 1/4X1/4 |
| 12 | WY4952000392 | ● | TUBO D-6 L.175 | TUBE D-6 L.175 | TUYAU D-6 L.175 | ROHR D-6 L.175 |
| 13 | WY4952000394 | ● | TUBO D-6 L.350 | TUBE D-6 L.350 | TUYAU D-6 L.350 | ROHR D-6 L.350 |
| 14 | WY4952000393 | ● | TUBO D-6 L.315 | TUBE D-6 L.315 | TUYAU D-6 L.315 | ROHR D-6 L.315 |
| 15 | WY4952000385 | ● | TUBO D-10 L.255 | TUBE D-10 L.255 | TUYAU D-10 L.255 | ROHR D-10 L.255 |
| 16 | WY4952000384 | ● | TUBO D-10 L.325 | TUBE D-10 L.325 | TUYAU D-10 L.325 | ROHR D-10 L.325 |
| 17 | WY4952001433 | ● | TUBO D-4 L.310 | TUBE D-4 L.310 | TUYAU D-4 L.310 | ROHR D-4 L.310 |
| 18 | WY4923293002 | ● | STROZZATURA RICIRCOLO GR D 2.5 | RESTRICOR D2.5 | RACCORD REDUIT DU GROUPE D2.5 | VERKLEINERTE FITTING DER GRUPPE D2.5 |
| 19 | WY4952000395 | ● | TUBO D-6 L.340 | TUBE D-6 L.340 | TUYAU D-6 L.340 | ROHR D-6 L.340 |
| 20 | WY4918159003 | ● | ELETTRIVALVOLA AEA IN BASE 220/240V 50-60Hz | SOLENOID VALVE 220/240V 50-60Hz | ELECTROVANNE 220/240V 50-60Hz | ELEKTROVENTIL 220/240V 50-60Hz |
| 21 | WY12299001 | ● | GUARNIZIONE VERDE A GOCCIA | GASKET | JOINT | DICHTUNG |
| 22 | WY12299002 | ● | GUARNIZIONE ROSSA PICCOLA | RED GASKET | JOINT ROUGE | DICHTUNG ROT |
| 23 | WY4661016003 | ● | DISTRIBUTORE CARICO ACQUA | WATER DISTRIBUTION BLOCK | DISTRIBUTEUR EAU | WASSER VERTEILER |
| 24 | WY4925743001 | ● | RIDUZIONE 1/4Mx1/8F | REDUCTIE 1/4Mx1/8F | REDUCTION 1/4Mx1/8F | REDUKTION 1/4Mx1/8F |
| 25 | WY25396 | | DADO 1/4 SP.4 | NUT 1/4 - 4 THICK | ECROU 1/4 SP.4 | MUTTER 1/4 |
| 26 | WY4923293012 | ● | STROZZATURA D-1.2 | NECK D-1.2 | ETRANGLEMENT D-1.2 | UMWALZUNG D-1.2 |
| 27 | WY15056004 | | FASCETTA BIFILARE A MOLLA D.12.1-13.1 | SPRING CLAMP BI FILAR D12,10-13.1 | COLLIER BIFILAIRE RESSORT D.11,10-13.1 | SHELLE D. 12,1-13,1 |
| 28 | WY15452136 | ● | TUBO SILICONE D-7x11 L.300 | TUBE SILICONE D-7x11 L.300 | TUYAU SILICONE D-7x11 L.300 | SILIKONROHR D7x11 L.300 |
| 29 | WY12100 | ● | GUARNIZIONE CU/ALIM 1/4 18.7x13.2x2.5 | CU GASKET 1/4 18.7X13.2X2.5 | JOINT CU 1/4 18.7X13.2X2.5 | CU DICHTUNG 1/4 18.7x13.2x2.5 |
| 30 | WY4620354001 | ● | VALVOLA CHIUSURA L.40 | TAP L.40 | CLAPET FERMETURE EAU | ABSPERRVENTIL WASSERZUFUHR L.40 |
| 31 | WY25382 | | DADO 1/4 FORO 9.5 OTTONE | NUT 1/4 HOLE 9.5 | ECROU 1/4 TROU 9.5 | SCHRAUBENMUTTER 1/4 LOCH 9.5 |
| 32 | WY4652000851 | ● | TUBO D-8 L.45 | TUBE D-8 L.45 | TUYAU D-8 L.45 | ROHR D-8 L.45 |
| 33 | WY4952000388 | ● | TUBO D-8 L.250 | TUBE D-8 L.250 | TUYAU D-8 L.250 | ROHR D-8 L.250 |
| 34 | WY4652003057 | ● | TUBO D-2 L.1000 | TUBE D-2 L.1000 | TUYAU D-2 L.1000 | ROHR D-2 L.1000 |
| 35 | WY15056003 | | FASCETTA BIFILARE A MOLLA D.11-11.6 | SPRING CLAMP BI FILAR D11,00-11.6 | COLLIER BIFILAIRE RESSORT D.11,00-11.6 | SHELLE D.11-11,6 |
| 36 | WY23221006 | | PORTAGOMMA 1/8M D.8 | HOSE CONNECTION 1/8M | PORTE-CAOUTCHOUC 1/8M | GUMMIHALTER 1/8M |
| 37 | WY15470 | | TUBO CAVOFLEX D16 SCARICO | D16 CAVOFLEX DRAIN PIPE | TUYAU CAVOFLEX D16 SCARICO | ABFLUSSROHR CAVOFLEX D16 |
| 38 | WY15502 | | VASCHETTA SCARICO ROTONDA D 80 | ROUND DRAIN BASIN D.80mm | CUVE A VIDANGER RONDE D.80mm | RUNDE ABFLUSSCHALE D.80mm |



| Pos. | Code | Food | Descrizione - IT - | Description - EN - | Description - FR - | Beschreibung - DE - |
|------|------------|------|---|---------------------------------------|-------------------------------------|---|
| 1 | WY4620150 | ● | PRESSOSTATO | DRY PRESSURE SWITCH | PRESSOSTAT | TROCKENDRUCKWACHTER |
| 2 | WY22803136 | | CABLAGGIO 2GR DOSATORI/SONDE | WIRING 2GR DOSER/PROBE | CABLAGE 2GR | VERDRAHTUNG 2GR |
| 3 | WY22803139 | | CABLAGGIO 2GR POTENZA | POWER CABLE 2GR | CABLAGE D'ALIMENTATION 2GR | STROMKABEL 2GR |
| 4 | WY56930000 | | ASSIEME TERMOSTATO | ASS.THERMOSTAT | ENS.THERMOSTAT | THERMOSTAT |
| 5 | WY18090284 | | CENTRALINA 100/240V 3D5 XLC | CONTROL UNIT 100/240V 3D5 XLC | CENTR.100/240V 3D5 XLC | STEUEREINHEIT |
| 6 | WY25419005 | | DISTANZIALE | SPACER | ENTRETOISE | DISTANZSTÜCK |
| 7 | WY15182942 | | ISOLANTE TERMICO ISOLANTE TERMICO | THERMAL INSULATION THERMAL INSULATION | ISOLANT THERMIQUE | THERMISCHE ISOLIERUNG THERMISCHE ISOLIERUNG |
| 8 | WY18559014 | | ALIMENTATORE LED | LED POWER UNIT | ALIMENTATION LED | LED NETZTEIL |
| 9 | WY22800626 | | CABLAGGIO INTERFACCIA FILTRO ANTIDISTURBO | FILTER INTERFACE WIRING | CABLAGE D'INTERFACE FILTRE | FILTER SCHNITTSTELLEN VERDRAHTUNG |
| 10 | WY18371207 | | STRIP 3 LED BIANCO CON SUPPORTO | 3 LED STRIP WHITE | BANDE DE 3 LED BLANC | LED 3 STREIFEN WEISS |
| 11 | WY15029164 | | PROTEZIONE LED PROTEZIONE LED | LED PROTECTION LED PROTECTION | PROTECTION LED | LED-SCHUTZ |
| 12 | WY18559027 | | ALIMENTATORE SWICHTING 12Vdc 20W | SWITCHING POWER UNIT 12Vdc 20W | ALIMENTATION LED | LED NETZTEIL |
| 13 | WY22800625 | | CABLAGGIO INTERFACCIA ALIMENTATORE LED | LED INTERFACE CABLE | CABLAGE INTERFACE LED | LED-SCHNITTSTELLEN VERKABELUNG |
| 14 | WY22723005 | | CABLAGGIO SCALDATAZZE | ELECTR.CUP HEAT.WIRING 2-4 UNIT UL | CABLE CHAUFFE-TASSES ELEC. 2-4GR UL | ELEKTR.VERKABELUNG TASSENWORMER 2-4 UL |
| 15 | WY18371143 | | INTERRUTTORE NERO | SWITCH BLACK | INTERRUPTEUR NOIR | SCHALTER SCHWARZ |
| 16 | WY19049001 | | COPERTURA INTERRUTTORE | SWITCH COVER | PROTECTION INTERRUPTEUR | SCHALTER ABD. |
| 17 | WY21011001 | | LAMPADA SPIA VERDE CON GHIERA 250VAC | GREEN WARNING LIGHT 250VAC | LAMPR TEMOIN VERT 250VAC | GRÜNE KONTROLLAMPE 250VAC |
| 18 | WY21026 | | LED D-5 VERDE | LED D-5 GREEN | LED D-5 VERT | LED D-5 GRÜN |
| 19 | WY19103 | | FUSIBILE 5x20 6.3A ST520263 OMEGA UL/VDE | FUSE 5x20 6.3A ST520263 OMEGA | FUSIBLE 5x20 6.3A ST520263 OMEGA | SCHMELZSICH.OMEGA 5x20 ST520263 |
| 19 | WY19104 | | FUSIBILE OMEGA 5x20 10A UL/VDE | FUSE OMEGA 5x20 T-10A | FUSIBLE OMEGA 5x20 T-10A | SCHMELZSICHERUNG OMEGA 5x20 T-10A |
| 20 | WY19123002 | | PORTAFUSIBILE F430 250V 10A UR/VDE | FUSE HOLDER 250V 10A UR | PORTE-FUSIBLE 250V 10A UR | SICHRUNGSHALTER 250V 10A UR |
| 21 | WY15073 | | CONNETTORE 2VIE PORTA FASTON MASCHIO UL | CONNECTOR 2V + FASTON | CONNECTEUR 2V + FASTON | VERKABELUNG STECKVERBINDUNG 2V + FASTON |
| 22 | WY15066 | | CONNETTORE 3VIE PORTA M+FASTON | CONNECTOR 3V + FASTON | CONNECTEUR 3V + FASTON | VERKABELUNG STECKVERBINDUNG 3V + FASTON |
| 23 | WY22944 | | COMMUTATORE 3F 18104 + CAVO ALIMENTAZIONE | COMMUTATOR 18104 + ALIMENTATION CABLE | COMM. 18104 + CABLE D'ALIMENTATION | KONTROLLEUCHTE + STROMKABEL |
| 24 | WY29067003 | | ETICHETTA ADESIVA 1-0-2 NERO PLASTICO 58x58 | ADHESIVE LABEL 1-0-2 BLACK | ETIQ. ADHES. 1-0-2 NOIR | KLEBEETIKETTE 1-0-2 SCHWARZ |
| 25 | WY15271 | | MANOPOLA INTERR.GENERALE BREMAS | MAIN SWITCH HAND GRIP | MANETTE INTERR. GENERAL | HAUPTSCHALTERGRIFF |
| 26 | WY18090243 | | FILTRO RLC | RLC FILTER | FILTRE | FILTER |



| Pos. | Code | Food | Descrizione - IT - | Description - EN - | Description - FR - | Beschreibung - DE - |
|------|--------------|------|----------------------------------|-----------------------------|-----------------------------------|---|
| 1 | WY78214526 | | SUPPORTO MOTOPOMPA | MOTOPUMP SUPPORT 2GR | MOTOPOMPE SUPPORT 2GR | PUMPE SUPPORT 2GR |
| 2 | WY78214527 | | STAFFA MOTORE | MOTOR BRACKET | SUPPORT MOTEUR | MOTOR HALTERUNG |
| 3 | WY23265 | | RONDELLA 4x12 | WASHER 4x12 | RONDELLE 4x12 | SCHEIBE 4x12 |
| 4 | WY15105002 | | GOMMINO ANTIVIBRANTE | RUBBER FOR MOTOR | CAOUTCHOUC POUR MOTEUR | GUMMI x MOTOR |
| 5 | WY18303005 | | MOTORE 230V 50/60HZ 152W | MOTOR 230V 50/60HZ 152W | MOTEUR 230V 50/60HZ 152W | MOTOR 230V 50/60HZ 152W |
| 6 | WY22717301 | | CABLAGGIO MOTORE 120W | MOTOR CABLE 120W | CABLAGE MOTEUR 120W | MOTOR VERKABELUNG 120W |
| 7 | WY19062001 | | CONDENSATORE MOTORE 230V 7uF | MOTOR CAPACITOR 230V 7uF | CONDENSATEUR MOTEUR 230V 7uF | KONDENSATOR MOTOR 230V 7uF |
| 8 | WY15200000 | | CAPPUCCIO CONDENSATORE | HOOD FOR CAPACITOR | CAPUCHON CONDENSATEUR 7uF (D.30) | CAPPUCCIO x CONDENSATORE 6.3mF (D.30) |
| 9 | WY25782 | | TAPPO FEMMINA 1/4 GAS | 1/4 GAS FEMALE TAP | BOUCHON FEMELLE 1/4 GAZ | INNENANSCHLUSSSTOPSEL 1/4 GAS |
| 10 | WY12007002 | ● | GUARNIZIONE RAME 11x3 | GASKET COPPER 11x3 | JOINT CUIVRE 11x3 | KUPFERDICHTUNG 11x3 |
| 11 | WY26310003 | | FASCETTA GIUNZIONE MOTORE-POMPA | CLAMP MOTOR-PUMP | BANDE MOTEUR-POMPE | SHELLE MOTOR-PUMPE |
| 12 | WY83260016R | | KIT DISACCOPIAMENTO MOTORE POMPA | KIT DECOUPLING MOTOR-PUMP | ENSEMBLE DECOUPLAGE MOTEUR POMPE | KIT MOTOR-PUMPE KUPPLUNG |
| 13 | WY4626303001 | ● | POMPA FLUID-O-TECH 104 | PUMP FLUYD 104 | POMPE 104 | PUMPE 104 |
| 14 | WY12101 | ● | GUARNIZIONE RAME 3/8 22x17x3 | GASKET COPPER 3/8 22x17x3 | JOINT CUIVRE 3/8 22x17x3 | KUPFERDICHTUNG 3/8 22x17x3 |
| 15 | WY10005 | ● | ANELLO DI ARRESTO INOX | STAINLESS STEEL STOP RING | ANNEAU DE BUTEE INOX | DRAHTSPRENGRING ROSTFREI |
| 16 | WY10254 | ● | FILTRO ACCIAIO 160-200 MESH | STEEL FILTER 160-200 MESH | FILTRE EN ACIER 160-200 MESH | STAHLFILTER 160-200 MESH |
| 17 | WY4656116003 | ● | RACCORDO GOMITO 3/8+3/8 | CONNECTOR 3/8+3/8 | RACCORD 3/8 + 3/8 | ANSCHLUSS 3/8 + 3/8 |
| 18 | WY4630403 | ● | TUBOFLEX 3/8FF L.330 | FLEX PIPE 3/8 L33 CONICAL | TUYAU FLEX 3/8 FF L33 | SCHLAUCH 3/8 AUFNAHMETUR L33 GUMMI KONI |
| 19 | WY4630408 | ● | TUBOFLEX 3/8FF L.1500 mm | FLEX PIPE 3/8 L.1500 mm | TUYAU FLEX 3/8 FF L.1500 mm | SCHLAUCH 3/8 L.1500 mm |
| 20 | WY56123294 | ● | ASSIEME MOTORE 150W 230V + POMPA | UNIT MOTOR 150W 230V + PUMP | ENSEMBLE MOTEUR 150W 230V + POMPE | SATZ MOTOR 150W 230V + PUMPE |



| Pos. | Code | Food | Descrizione - IT - | Description - EN - | Description - FR - | Beschreibung - DE - |
|------|--------------|------|------------------------------------|-------------------------------------|---------------------------------------|--|
| 1 | WY27142 | ● | FILTRO INOX 1 TAZZA H.24 | 1 CUP S.STEEL FILTER H.24 | FILTRE INOX 1 TASSE H.24 10 PCES | EDELSTAHL-FILTER 1 TASSE H.24 10 ST |
| 2 | WY27171 | ● | FILTRO INOX 2 TAZZE H.24,5 | 2 CUPS S.STEEL FILTER H.24,5 | FILTRE INOX 2 TASSES H.24,5 10 PCES | EDELSTAHL-FILTER 2 TASSEN H.24,5 10 ST |
| 3 | WY27255 | ● | MOLLA FERMAFILTRO D-1,2 | FILTER HOLDER SPRING | RESSORT FERME-FILTRE | FEDER FUR FILTERHALTER |
| 4 | WY83270074R | ● | PORTAFILTRO COP.NERA 1 TAZZA | FILTER HOLDER 1CUP | PORTE FILTRE 1 TASSE | FILTERHALTER |
| 5 | WY83270075R | ● | PORTAFILTRO COP.NERA 2 TAZZE | FILTER HOLDER 2 CUPS | PORTE FILTRE 2 TASSES | FILTERHALTER |
| 6 | WY4927032001 | ● | BECCUCCIO 1 TAZZA | SPOUT 1 CUP | BEC 1 TASSE | AUSGUSS 1 TASSE |
| 7 | WY4927042001 | ● | BECCUCCIO 2 TAZZE | SPOUT 2 CUPS | BEC 2 TASSES | AUSGUSS 2 TASSEN |
| 8 | WY15263022 | | TAPPO MANOPOLA PORTAFILTRO | KNOB CAP | BOUCHON | KORKEN |
| 9 | WY35W10827 | ● | PORTAFILTRO PROVA | TEST FILTER HOLDER | PORTEFILTRE MANOMETRE TESTER PRESSION | FILTERHALTER FUER FILTERPROBE |
| 10 | WY27173 | ● | FILTRO INOX 2 TAZZE CIECO | 2 CUPS STAINLESS STEEL BLIND FILTER | FILTRE INOX 2 TASSES AVEUGLE | GESCHLOSSENER FILTER 2 TASSEN |
| 11 | WY15420 | ● | PRESSINO CAFFE | COFFEE PRESS | PRESSE CAFE | EINDRUCKVORRICHTUNG |
| 12 | WY15426 | ● | SPAZZOLINO NERO SETOLE NYLON CORTE | SHORT BLACK NYLON BRISTLE BRUSH | PETITE BROUSSE NOIRE AVEC POILS NYLON | KURZE, SCHWARZE NYLONBUERSTE |