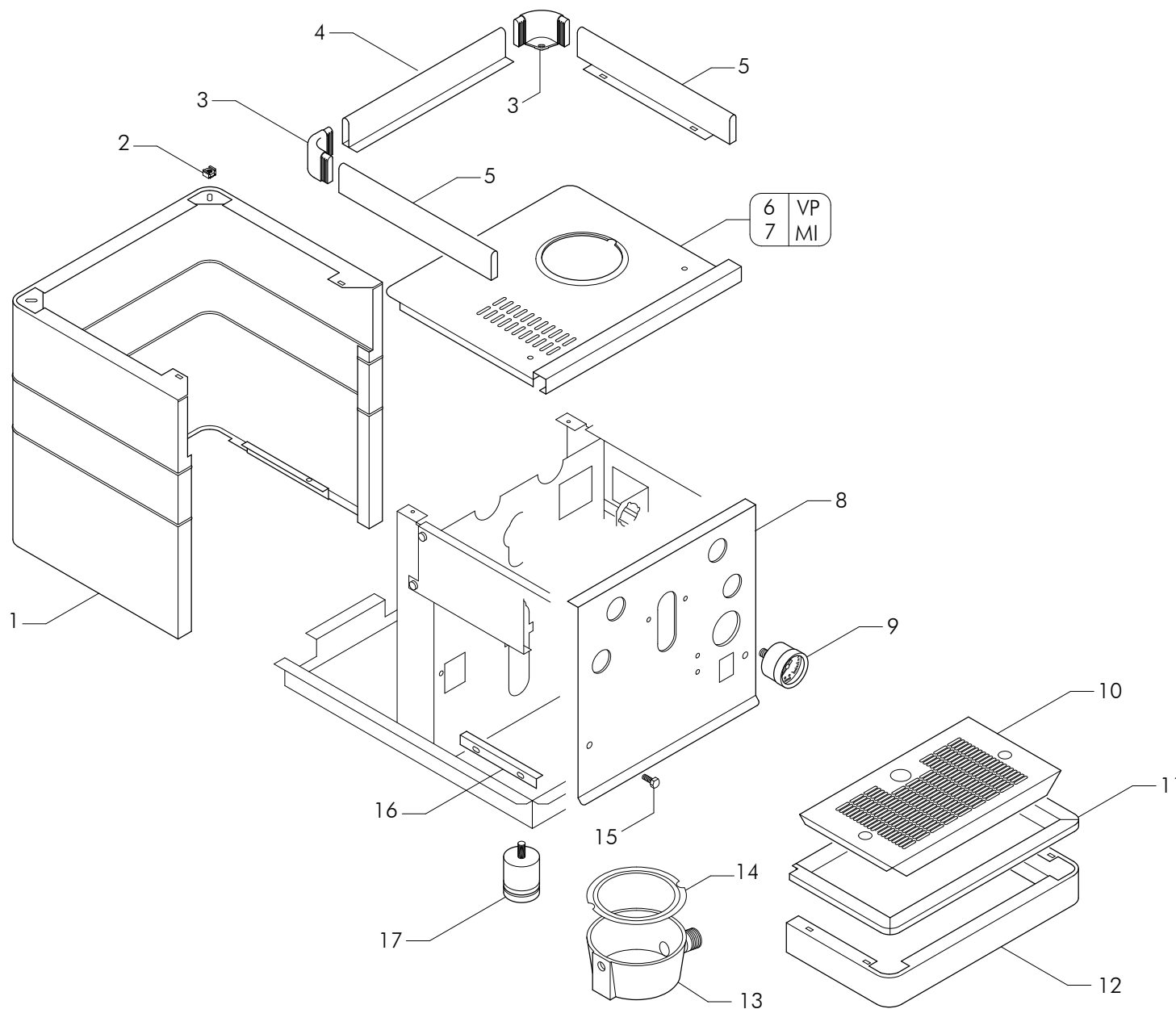


# MININOVA 1GR

Parti di ricambio - Spare parts - Pieces detachees - Ersatzteilkatalog

Tav.		Pag.	Rev.	data
	<b>Carrozzeria - Body parts - Carrosserie - Karosserie</b>			
<b>MN1 - 01</b>	EMA	2	00	03/2015
<b>MN1 - 02</b>	EPU/EVD	4	00	03/2015
	<b>Tubetti Acqua/Vapore - Taps Water/Steam - Robinets Eau/Vapeur - Wasserhahn/Dampfhahn</b>			
<b>MN1 - 21</b>	EMA	6	00	03/2015
<b>MN1 - 22</b>	EPU/EVD	8	00	03/2015
	<b>Gruppo - Group - Groupe - Gruppe</b>			
<b>MN1 - 31</b>	EMA	10	00	03/2015
<b>MN1 - 32</b>	EPU/EVD	13	01	09/2017
<b>MN1 - 41</b>	<b>Caldia - Boiler - Chaudiere - Kessel</b>	15	01	05/2016
	<b>Impianti idraulici - Hydraulic circuits - Circuits hydrauliques - Wasser anlage</b>			
<b>MN1 - 51</b>	EMA Motopompa - EMA Motorpump - EMA Motopompe - EMA Motorpumpe	17	00	03/2015
<b>MN1 - 52</b>	EMA Vibropompa - EMA Vibration pump - EMA Pompe vibration - EMA Vibrationspumpe	20	00	03/2015
<b>MN1 - 53</b>	EPU	23	00	03/2015
<b>MN1 - 54</b>	EVD	26	00	03/2015
<b>MN1 - 55</b>	Contentitore acqua - Water tray - Cuve eau - Wasserbehälter	29	00	03/2015
	<b>Impianti elettrici - Electrical systems - Circuits electriques - Strom anlage</b>			
<b>MN1 - 61</b>	EMA	31	00	03/2015
<b>MN1 - 62</b>	EPU/EVD	33	00	03/2015
<b>MN1 - 81</b>	<b>Motopompa Interna - Internal Motorpump - Intérieur Motopompe - Innen Pumpe</b>	35	01	05/2016

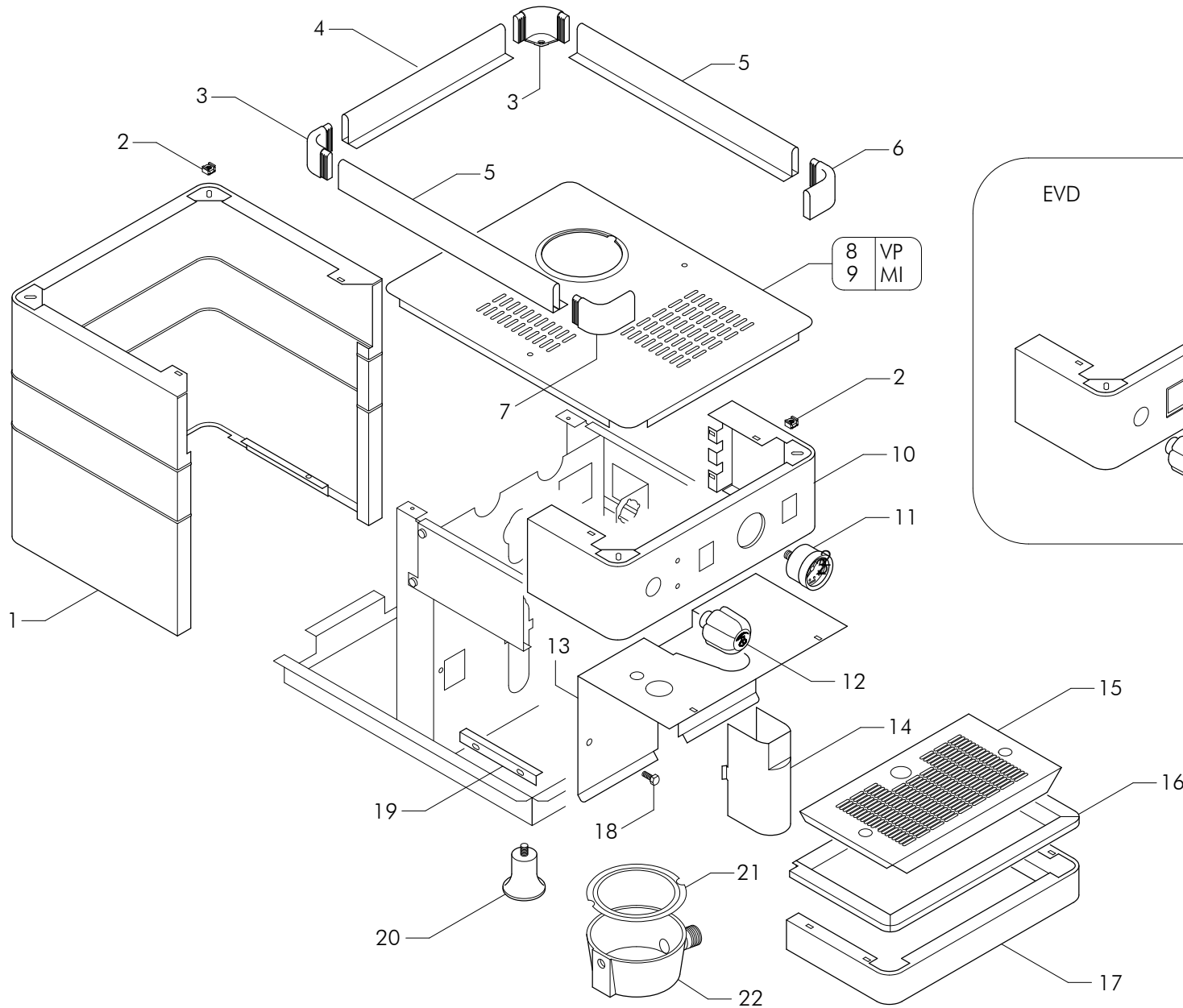


VP  
Vibropompa  
Vibration pump  
Pompe vibration  
Vibrationspumpe

MI  
Motopompa  
Motor pump  
Motopompe  
Motor pump

## EMA

Pos	Cod.	Denominazione - IT -	Denomination - GB -	Denomination - FR -	Denomination - DE -
1	WY75700102	PANNELLO CARROZZERIA MINI WX LEVETTA	BODY PANEL	PANNEAU CAROSSERIE	TAFEL
2	WY23061001	DADO IN GABBIA M4 FE/ZN	GRILLE NUT M4 FE/ZN	GRILLE ECROU M4 FE/ZN	GITTER MUTTER M4 FE/ZN
3	WY15009	ANGOLARE CENTRALE PLASTICA	PLASTICATED CENTRAL ANGLE	ANGLE CENTRAL PLASTIFIE	ZENTRALES WINKELPROFIL
4	WY77235031	PROF.SUP.POST. MININOVA INOX/LUC	S.STEEL STRIP	PROFILS INOX OR	STAHL COMPACTUMRANDUNG
5	WY77235032	PROF.SUP.DX-SX MINI WX LEVETTA	S.STEEL STRIP	PROFILS INOX OR	STAHL COMPACTUMRANDUNG
6	WY77235024	COPERCHIO CARROZZERIA MINI WX LEVETTA	S.STEEL BODY COVER	COUVRE-CAROSSERIE INOX	STAHL KAROSSERIEDECKEL
7	WY77235025	COPERCHIO CARROZZERIA MINI WX LEVETTA M.I.	S.STEEL BODY COVER	COUVRE-CAROSSERIE INOX	STAHL KAROSSERIEDECKEL
8	WY77876003	COPRICALDAIA	BOILER-COVER	COUVRE-CHAUDIERE	KESSELDECKEL
9	WY21105	MANOMETRO 2.5 BAR 1/8 D 44 TUV	PRESSURE GAUGE 2.5 BAR 1/8 D44 TUV	MANOMETRE 2.5 BAR 1/8 D44 TUV	MANOMETER 2.5 BAR 1/8 D44 TUV
10	WY76339000	GRIGLIA INFERIORE	LOWER GRILL	GRILLE INFERIEURE	GITTER UNTEN
11	WY76080100	BACINELLA SCARICO	DRAIN TRAY	CUVE A VIDANGER	AUSLASSCHALE CKX/E
12	WY77235001	PROFILO BASAMENTO MININOVA INOX	BLACK BASE PROFILE S.STEEL	PROFIL BASE INOX	BASISPROFIL STAHL
13	WY15502	VASCHETTA SCARICO ROTONDA D 80	ROUND DRAIN BASIN D.80mm	CUVE A VIDANGER RONDE D.80mm	RUNDE ABFLUSSCHALE D.80mm
14	WY77799001	FERMO VASCHETTA	STEEL CIRCLIP DRAIN BASIN	CIRCLIP CUVE A VIDANGER	HALTENRING ABFLUSSCHALE
15	WY23420001	VITE TE BOMBATA M6x12 OT/Ni	M6x12NICKEL-PLATED BRASS HEX.HEAD SCREW	VIS TH LAITON M6x12 NICKELEE	SECHSKANTSCHRAUBE AUS MESSING M6x12
16	WY77742100	GUIDA DX-SX BACINELLA	GUIDE FOR TRAY	GUIDAGE CUVE	FUHRUNG SCHALE
17	WY15318	PIEDINO REGOLABILE INOX/SAT H55/69	ADJUSTABLE FOOT H55/69	PIED REGLABLE H55/69	REGELBARER FUSS H55/69



8	VP
9	MI

VP	Vibropompa Vibration pump Pompe vibration Vibrationspumpe
----	--

MI	Motopompa Motor pump Motopompe Motor pump
----	--

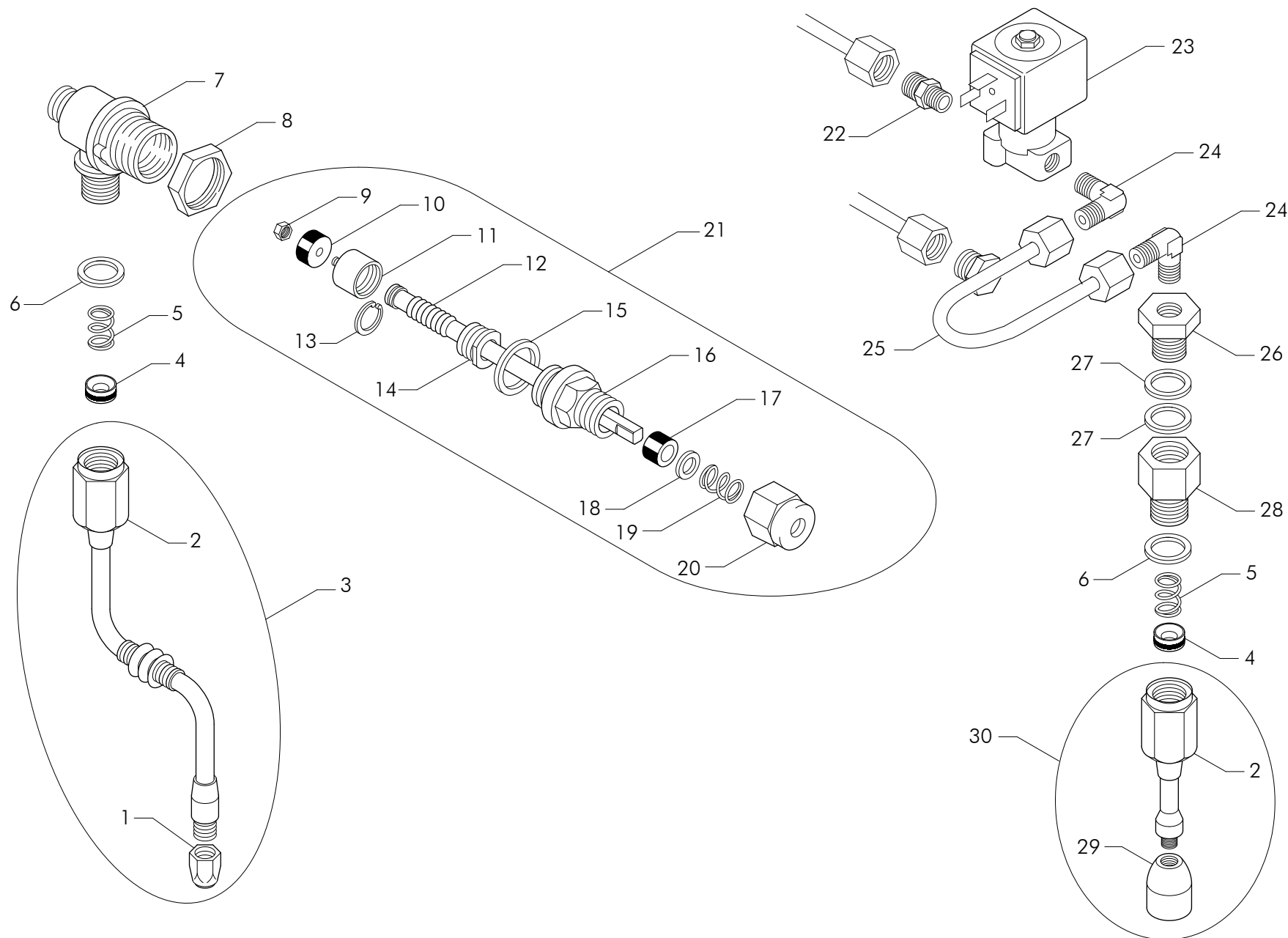
## EPU/EVD

Pos	Cod.	Denominazione - IT -	Denomination - GB -	Denomination - FR -	Denomination - DE -
1	WY75700101	PANNELLO CARROZZERIA MININOVA	BODY PANEL	PANNEAU CARROSSERIE	TAFEL
2	WY23061001	DADO IN GABBIA M4 FE/ZN	GRILLE NUT M4 FE/ZN	GRILLE ECROU M4 FE/ZN	GITTER MUTTER M4 FE/ZN
3	WY15009	ANGOLARE CENTRALE PLASTICA	PLASTICATED CENTRAL ANGLE	ANGLE CENTRAL PLASTIFIE	ZENTRALES WINKELPROFIL
4	WY77235031	PROF.SUP.POST. MININOVA INOX/LUC	S.STEEL STRIP	PROFILS INOX OR	STAHL COMPACTUMRANDUNG
5	WY77235030	PROF.SUP.DX-SX MININOVA INOX/LUC	S.STEEL STRIP	PROFILS INOX OR	STAHL COMPACTUMRANDUNG
6	WY15008	ANGOLARE DX PLASTICA	PLASTICATED RIGHT ANGLE	ANGLE DROIT PLASTIFIE	RECHTES WINKELPROFIL
7	WY15007	ANGOLARE SX PLASTICA	PLASTICATED LEFT ANGLE	ANGLE GAUCHE PLASTIFIE	LINKES WINKELPROFIL
8	WY77235022	COPERCHIO CARROZZERIA MININOVA INOX	S.STEEL BODY COVER	COUVRE-CARROSSERIE INOX	STAHL KAROSSERIEDECKEL
9	WY77235023	COPERCHIO CARROZZERIA M.I.MININOVA IN	BODY-COVER M.I.	COUVRE-CARROSSERIE M.I.	KAROSSERIEDECKEL M.I.
10	WY71759024	FRONTONE MINIWX EPU INOX	FRONT PANEL S.STEEL	PANNEAU FRONTAL INOX	FRONTBLLENDE STAHL
11	WY21105	MANOMETRO 2.5 BAR 1/8 D 44 TUV	PRESSURE GAUGE 2.5 BAR 1/8 D44 TUV	MANOMETRE 2.5 BAR 1/8 D44 TUV	MANOMETER 2.5 BAR 1/8 D44 TUV
12	WY15272	MANOPOLA RUBINETTO VAPORE	STEAM TAP KNOB	POIGNEE ROBINET VAPEUR	DAMPF-HAHNGRIFF
13	WY77876001	COPRICALDAIA	BOILER-COVER	COUVRE-CHAUDIERE	KESSELDECKEL
14	WY77602	COPRI ELETTRIVALVOLA INOX/LUC	S.STEEL SOLENOID VALVE COVER	COUVRE-ELECTROVANNE INOX	GRUPPENMAGNETVENTIL DECKEL
15	WY76339000	GRIGLIA INFERIORE	LOWER GRILL	GRILLE INFERIEURE	GITTER UNTEN
16	WY76080100	BACINELLA SCARICO	DRAIN TRAY	CUVE A VIDANGER	AUSLASSCHALE CKX/E
17	WY77235001	PROFILO BASAMENTO MININOVA INOX	BLACK BASE PROFILE S.STEEL	PROFIL BASE INOX	BASISPROFIL STAHL
18	WY23420001	VITE TE BOMBATA M6x12 OT/Ni	M6x12NICKEL-PLATED BRASS HEX.HEAD SCREW	VIS TH LAITON M6x12 NICKEL	SECHSKANTSCHRAUBE AUS MESSING M6x12
19	WY77742100	GUIDA DX-SX BACINELLA	GUIDE FOR TRAY	GUIDAGE CUVE	FUHRUNG SCHALE
20	WY15314001	PIEDINO A VENTOSA	SUCTION CUP FOOT	PIED A VENTOUSE	SAUGNAPFFUSSCHEN
21	WY77799001	FERMO VASCHETTA	STEEL CIRCLIP DRAIN BASIN	CIRCLIP CUVE A VIDANGER	HALTENRING ABFLUSSCHALE
22	WY15502	VASCHETTA SCARICO ROTONDA D 80	ROUND DRAIN BASIN D.80mm	CUVE A VIDANGER RONDE D.80mm	RUNDE ABFLUSSCHALE D.80mm
23	WY71759011	FRONTONE MININOVA EVD '02' INOX	FRONT PANEL MININOVA EVD '02 S.STEEL	PANNEAU FRONTAL MININOVA EVD '02 INOX	FRONTBLLENDE MININOVA EVD '02 STAHL
24	WY18371027	PULSANTIERA 5 TASTI	TOUCH PAD 5BUTTONS	CLAVIER A TOUCHES 5T	DRUCKKNOPFTAFEL 5T



## EMA

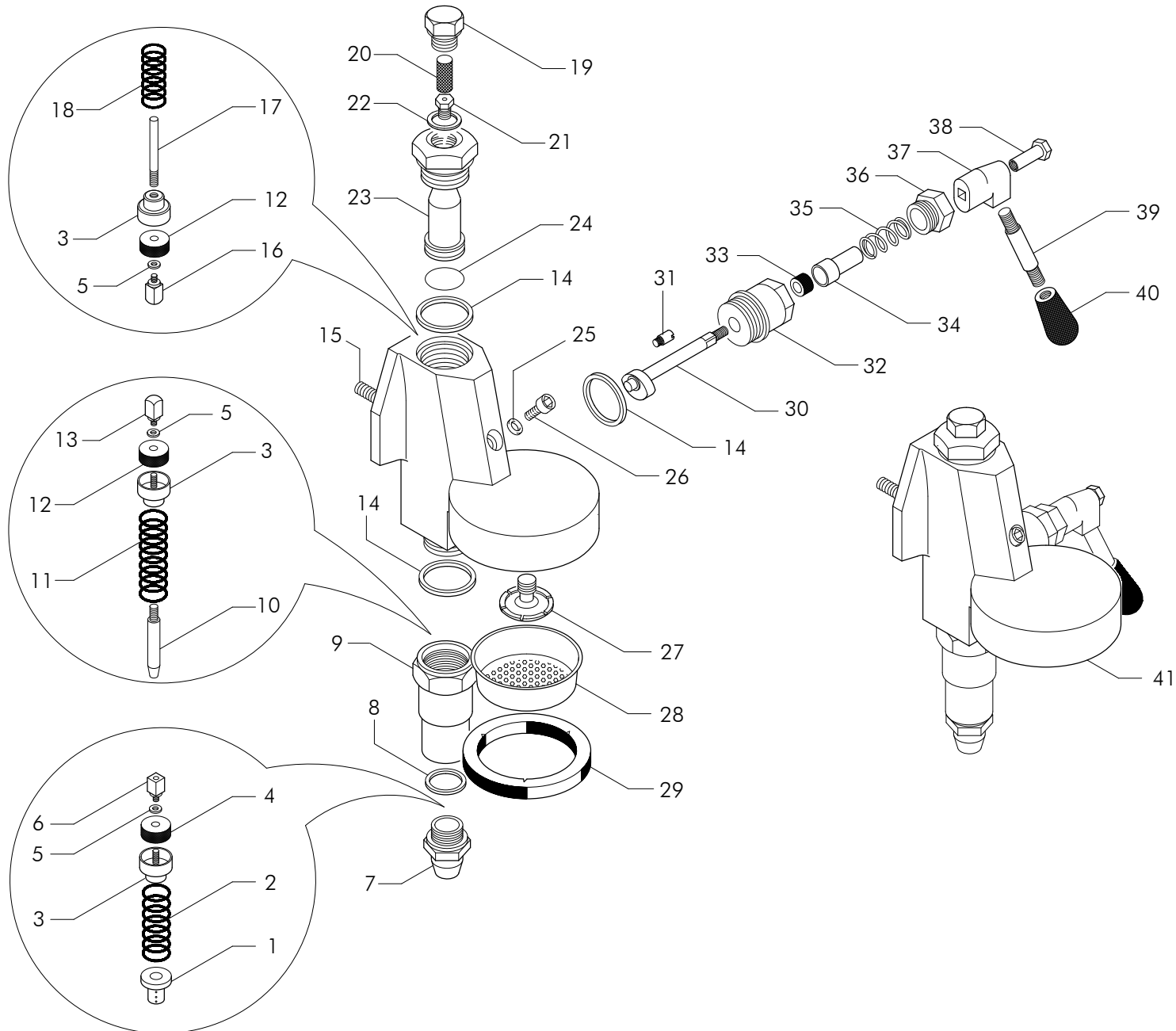
Pos	Cod.	Denominazione - IT -	Denomination - GB -	Denomination - FR -	Denomination - DE -
1	WY25763145	TUBO AISI VAPORE FISSA MININOVA GR. SCOPER	STEEL STEAM PIPE	TUYAU VAPEUR INOX	STAHL DAMPFROHRSATZ
2	WY25763143	SPRUZZATORE VAPORE INOX M8x1 5 FORI 1mm x	STEEL STEAM SPRAYER	VAPORISATEUR INOX	STAHLDAMPFER
3	WY15296000	GOMMINO ANTISCOTTATURA D-8	ANTI-BURNING RUBBER D-8	ELEMENT ANTI-BRULURE D-8	GUMMI GEGEN VERBRENNUNGEN F. D-8
4	WY56105006	ASS.ASTA RUB.H2O/VAPORE CROMATA	WATER/STEAM TAP UNIT	TIGE ROBINET	VERCHROME HAHNSTANGE
5	WY12010	GUARNIZIONE TEFLON ACQUA/VAPORE 20x17x2	PIPE GASKET TEFLON 20x17x2	JOINT TUYAU TEFLON EAU/VAP TEFLON	TEFLON-DICHTUNG WASSER/VAP 20x17x2
6	WY12661	GUARNIZIONE OR CON LUNETTA P.MOLLA	OR REST FOR ST.STEEL STEAM PIPE	OR LUNETTE P.RESSORT TUYAU VAP. INOX	HALBE OR-DICHT.F.FEDER DAMPFROHR ED
7	WY25736001	RACC.3/8 RUB>TUBO VAPORE	3/8 FITTING	RACCORD 3/8	ANSCHLUSS 3/8
8	WY10465	MOLLA De 11,5 Df1,5 AISI 302 DV/SP	STAINLESS ST.STEAM PIPE SPRING	RESSORT TUYAU VAP. INOX D.10	FEDER DAMPFROHR EDELSTAHL D. 10
9	WY25763142	SPRUZZATORE ACQUA INOX	EXTERNAL WATER NOZZLE	ATOMISEUR D'EAU EXTERIEUR	WASSERDUSE CHROM DAMPF
10	WY25763144	TUBO AISI H2O FISSA MININOVA GR. SCOPERTI	STEEL WATER PIPE	TUYAU EAU INOX	STAHL ROHR WASSER
11	WY53003	CORPO RUBINETTO	TAP BODY	CORPS DE ROBINET	HAHNKORPER
12	WY25658001	RONDELLA OTTONE RUBINETTO CROMATA	CHROME PLATED/BRASS WASHER	RONDELLE LAITON ROBINET CHROMEE	CHROM/MESSING SCHEIBE
13	WY25384001	DADO OTTONE M26x1.5 CROMATO	CHROME PLATED/BRASS NUT M26x1.5	ECROU LAITON CHROMEE M26x1,5	CHROM/MESSING MUTTER M26x1.5
14	WY23050	DADO OTTONE M3	BRASS NUT M3	ECROU LAITON M3	MESSING-MUTTER M3
15	WY12203	GUARNIZIONE HNBR 15x4x4	RUBBER GASKET 15x4x4	JOINT EN CAOUTCHOUC 15X4X4	GUMMIDICHTUNG 15x4x4
16	WY25616	PISTONCINO RUBINETTO	TAP JUMPER	PISTON ROBINET	HAHNKOLBEN
17	WY25311	ASTA RUBINETTO L109 CROMATA	CHROMED TAP ROD 109L	TIGE ROBINET L109 CHROMEE	VERCHROMTE HAHNSTANGE L109
18	WY10001	ANELLO ARRESTO D6 INOX	STEEL CIRCLIP	CIRCLIP INOX	STAHLHALTENRING
19	WY25461	GHIERA RUBINETTO	TAP RING NUT	EMBOUT ROBINET	HAHNZWINGE
20	WY12158	GUARNIZIONE 26x20.5x2	GASKET 26x20.5x2	JOINT 26x20.5x2	DICHTUNG 26x20.5x2
21	WY25678002	RACCORDO RUBINETTO CROMATO	CHROME TAP FITTING	RACCORD ROBINET CHROME	HAHNANSCHLUSSTUCK CHROM
22	WY12204	GUARNIZIONE GOMMA RUBINETTO 12.5x7.5x9	TAP RUBBER GASKET 12.5x7.5x9	JOINT CAOUTCHOUC ROB. 12.5X7.5X9	HAHNDICHTUNG 12.5x7.5x9
23	WY25655	RONDELLA RUBINETTO	TAP WASHER	RONDELLE ROBINET	HAHNSCHEIBE
24	WY25378001	DADO PREMISTOPPA RUBINETTO CROM. COMPLETO	TAP STUFFING NUT	ECROU DE PRESSE-ETOUPE ROBINET	STOPFBUCHSE MUTTER - HAHN
25	WY15278008	MANOPOLA ACQUA/VAPORE	WATER/STEAM TAP KNOB	POIGNEE ROBINET EAU/VAPEUR	WASSER-DAMPFHAHNGRIFF
26	WY29030002	DISCO MANOPOLA ACQUA	WATER HANDLE PLATE	DISQUE POUR POIGNEE EAU	SCHEIBE FUR WASSERHANDGRIFF
27	WY10500	ORLI SOTTOVITE OT/NI BN569 M3.5/M4	NICKLE/BRASS WASHER	BORD SOUS-VIS LAITON NICKELE	MESSING/NICKEL SCHEIBE
28	WY23451	VITE TGS INOX M4x20 TAGLIO CACCIAVITE	SCREW TGS M4x20	VIS TGS M4x20	STAHLSCHRAUBE TGS M4x20
29	WY29031002	DISCO MANOPOLA VAPORE	STEAM HANDLE PLATE	DISQUE POUR POIGNEE VAPEUR	SCHEIBE FUR DEAMPFHANDGRIFF
30	WY10452	MOLLA RUBINETTO ACQUA/VAPORE N4	WATER/STEAM TAP SPRING N4	RESSORT DE ROBINET EAU-VAPEUR N4	WASSER/DAMPF HAHNFEDER N4





## EPU/EVD

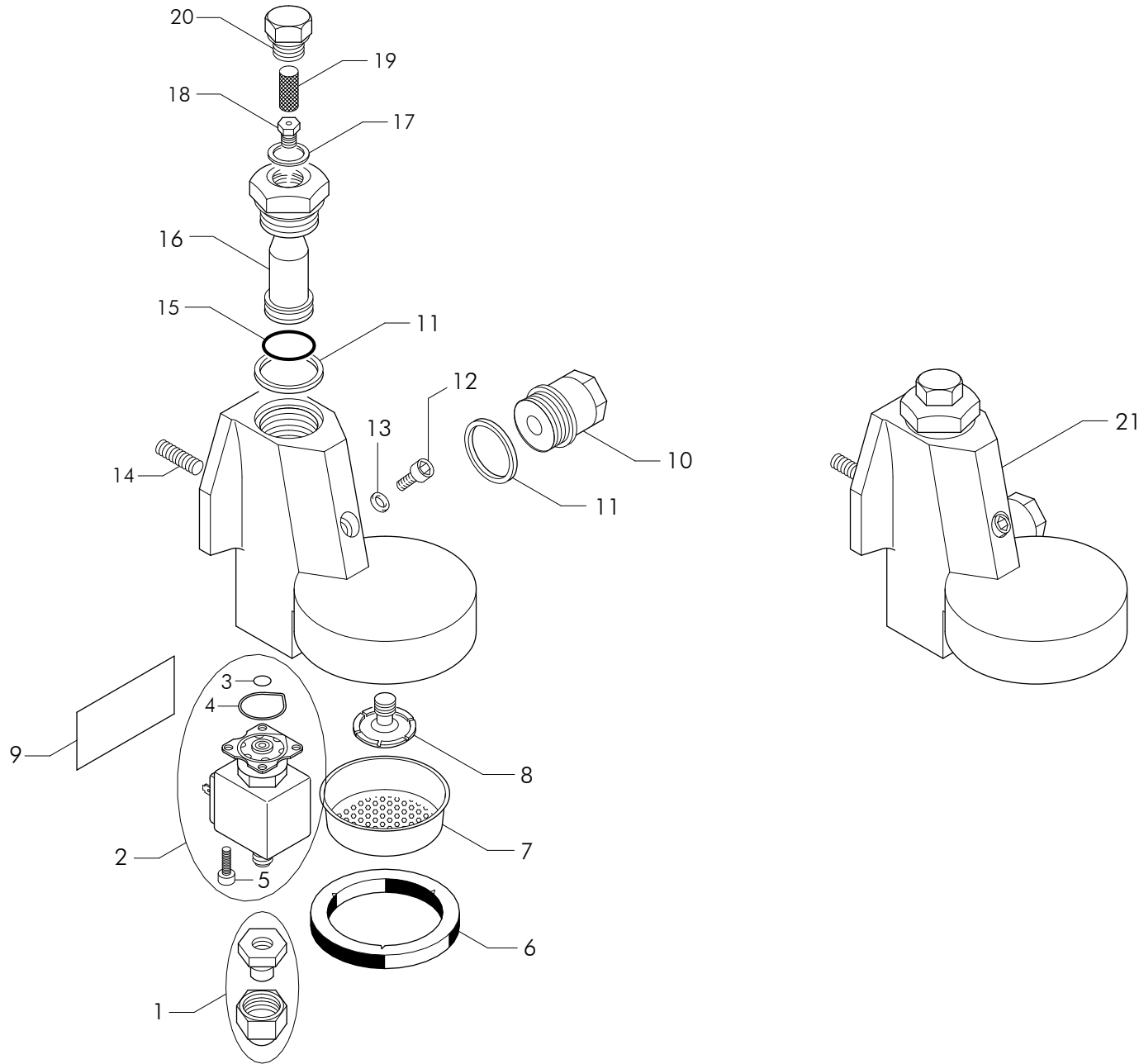
Pos	Cod.	Denominazione - IT -	Denomination - GB -	Denomination - FR -	Denomination - DE -
1	WY25762002	SPRUZZATORE VAPORE CROMATO	STEAM NOZZLE - CHROMED d.08	ATOMISEUR VAPEUR - CHROME'	DAMPFDUSE - CHROM
2	WY25391007	DADO CANNA VAP/H2O INOX	NUT PIPE WATER/STEAM	ECROU TUYAU VAPEUR/EAU	WASSER/DAMPF ROHRMUTTER
3	WY56119069	ASSIEME TUBO VAPORE CROMATO	STEAM PIPE CHROME	ENSEMBLE TUYAU VAPEUR	DAMPFROHRSATZ CHROME
4	WY12661	GUARNIZIONE OR CON LUNETTA P.MOLLA	OR REST FOR ST.STEEL STEAM PIPE	OR LUNETTE P.RESSORT TUYAU VAP. INOX	HALBE OR-DICHT.F.FEDER DAMPFROHR ED
5	WY10465	MOLLA De 11,5 Df1,5 AISI 302 DV/SP	STAINLESS ST.STEAM PIPE SPRING	RESSORT TUYAU VAP. INOX D.10	FEDER DAMPFROHR EDELSTAHL D. 10
6	WY12010	GUARNIZIONE TEFLON ACQUA/VAPORE 20x17x2	PIPE GASKET TEFLON 20x17x2	JOINT TUYAU TEFLON EAU/VAP TEFLON	TEFLON-DICHTUNG WASSER/VAP 20x17x2
7	WY53003	CORPO RUBINETTO	TAP BODY	CORPS DE ROBINET	HAHNKORPER
8	WY25384	DADO OTTONE M26x1.5	BRASS NUT 26X1.5	ECROU LAITON 26X1.5	MESSING-MUTTER 26X1.5
9	WY23050	DADO OTTONE M3	BRASS NUT M3	ECROU LAITON M3	MESSING-MUTTER M3
10	WY12203	GUARNIZIONE HNBR 15x4x4	RUBBER GASKET 15x4x4	JOINT EN CAOUTCHOUC 15X4X4	GUMMIDICHTUNG 15x4x4
11	WY25616	PISTONCINO RUBINETTO	TAP JUMPER	PISTON ROBINET	HAHNKOLBEN
12	WY25311	ASTA RUBINETTO L109 CROMATA	CHROMED TAP ROD 109L	TIGE ROBINET L109 CHROMEE	VERCHROMTE HAHNSTANGE L109
13	WY10001	ANELLO ARRESTO D6 INOX	STEEL CIRCLIP	CIRCLIP INOX	STAHLHALTENRING
14	WY25461	GHIERA RUBINETTO	TAP RING NUT	EMBOUT ROBINET	HAHNZWINGE
15	WY12158	GUARNIZIONE 26x20.5x2	GASKET 26x20.5x2	JOINT 26x20.5x2	DICHTUNG 26x20.5x2
16	WY25678001	RACCORDO RUBINETTO	TAP FITTING	RACCORD ROBINET	HAHNANSCHLUSSTUCK
17	WY12204	GUARNIZIONE GOMMA RUBINETTO 12.5x7.5x9	TAP RUBBER GASKET 12.5x7.5x9	JOINT CAOUTCHOUC ROB. 12.5X7.5X9	HAHNDICHTUNG 12.5x7.5x9
18	WY25655	RONDELLA RUBINETTO	TAP WASHER	RONDELLE ROBINET	HAHNSCHEIBE
19	WY10452	MOLLA RUBINETTO ACQUA/VAPORE N4	WATER/STEAM TAP SPRING N4	RESSORT DE ROBINET EAU-VAPEUR N4	WASSER/DAMPF HAHNFEDER N4
20	WY25385001	DADO PREMISTOPPA RUBINETTO + RONDELLA	TAP STUFFING NUT	ECROU DE PRESSE-ETOUPE ROBINET	STOPFBUCHSE MUTTER - HAHN
21	WY56102R	ASSIEME RUBINETTO H2O/VAPORE	STEAM/WATER TAP UNIT	ROBINET EAU VAPEUR	WASSER/DAMPF HANHSATZ
22	WY25707	RACCORDO 1/8x1/4	CONNECTOR 1/8x1/4	RACCORD 1/8x1/4	ANSCHLUSS 1/8x1/4
23	WY4618162005	ELETTROVALVOLA AEA 220-240V 50-60Hz VDE/CW	SOL.VALVE WATER REFILL 220/240 50/60HZ	ELECTROVANNE REA 220/240V 50/60Hz VDE/	ELEKTROVENTIL AWZ 230/250 V 50/60 Hz
24	WY23201	RACCORDO GOM.D6.2 1/4M 1/8M-AEA	ELBOW BRASS CONNECTOR D6.2 1/4M 1/8M	RACCORD COUDE LAITON D6.2 1/4M 1/8M	MESSING-ANSCHLUSS D6.2 1/4M 1/8M
25	WY52002126	TUBO D-6 L.95 CO 94	TUBE D-6 L.95	TUYAU D-6 L.95	ROHR D-6 L.95
26	WY25749001	RIDUZIONE 3/8M GAS - 1/8F GAS Ni	CONNECTOR 3/8M - 1/8F	RACCORD 3/8M - 1/8F	FITTING 3/8M - 1/8F
27	WY12154	GUARNIZIONE CU 3/8 22x17x1.5	GASKET COPPER 3/8 22x17x1.5	JOINT CUIVRE 3/8 22x17x1.5	KUPFERDICHTUNG 3/8 22x17x1.5
28	WY25691003	RACCORDO PROLUNGA RUBINETTO 3/8M x 3/8F	CONNECTOR TAP 3/8M x 3/8F	RACCORD ROBINET 3/8M x 3/8F	HAHNFITTING 3/8M x 3/8F
29	WY25763142	SPRUZZATORE ACQUA INOX	EXTERNAL WATER NOZZLE	ATOMISEUR D'EAU EXTERIEUR	WASSERDUSE CHROM DAMPF
30	WY25763148	LANCIA ACQUA MININOVA '08 INOX	WATER PIPE	TUYAU EAU	ROHR WASSER



## EMA

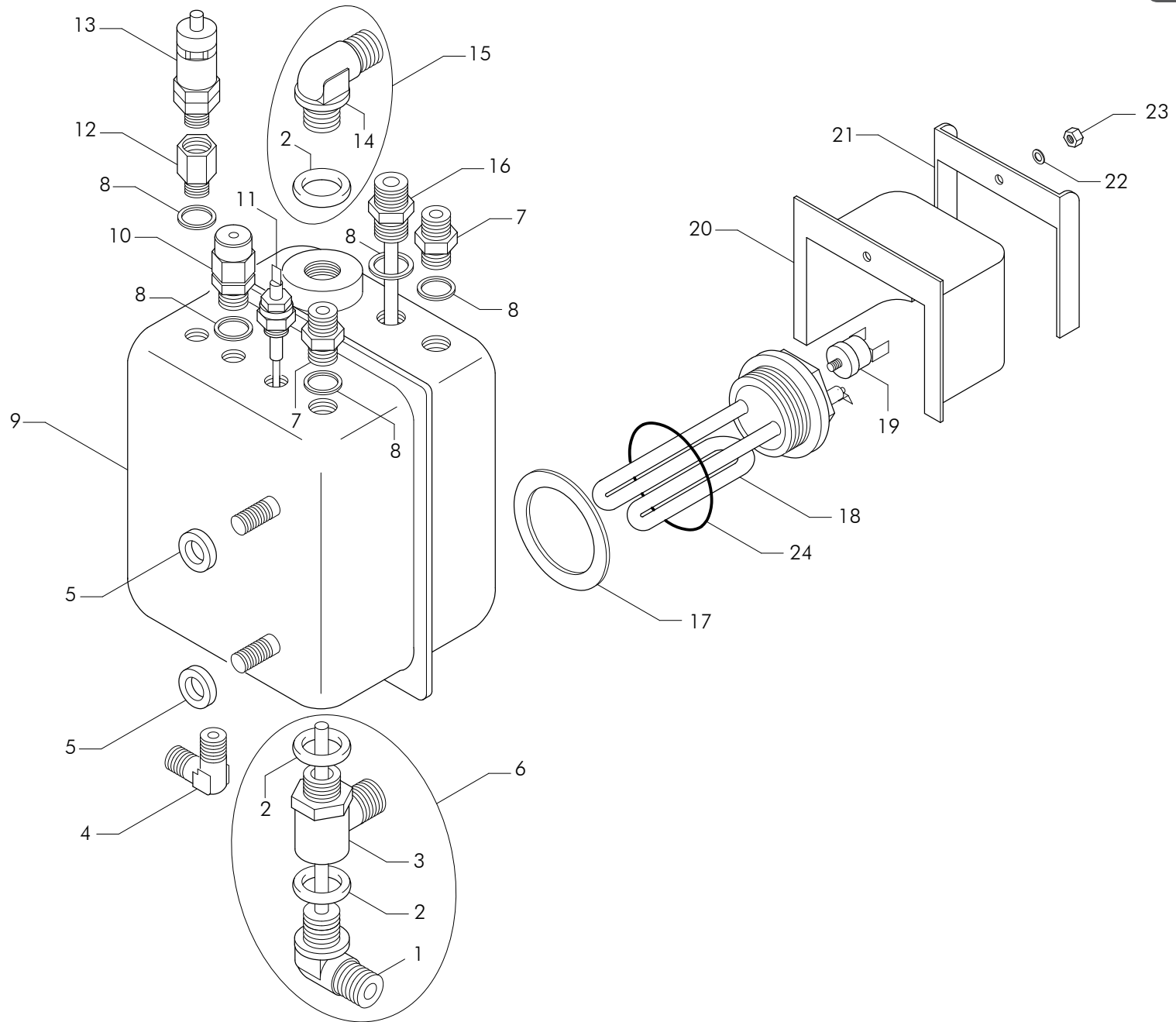
Pos	Cod.	Denominazione - IT -	Denomination - GB -	Denomination - FR -	Denomination - DE -
1	WY27421015	ROMPIGETTO SCARICO	JET BREAKER DRAIN	BRISE-JET VIDANGE	AUSLAUF SPRITZ.BRECHER
2	WY27421003	MOLLA SCARICO	SPRING DRAIN	RESSORT VIDANGE	AUSLAUF FEDER
3	WY27421010	PORTA GUARNIZIONE	GASKETHOLDER	PORTE JOINT	DICHTUNG TRAEGER
4	WY27421026	GUARNIZIONE DI TENUTA VITON 90	GASKET VITON 90	JOINT VITON 90	DICHTUNG VITON 90
5	WY27421011	RONDELLA PER GUARNIZIONE	WASHER	RONDELLE	SCHEIBE
6	WY27421014	PERNO SCARICO TRIANGOLARE	SHAFT DRAIN TRIANG.	CHEVILLE VIDANGE TRIANG.	STIFT AUSLAUF TRIWINKEL
7	WY27421018	DADO ROMPIGETTO	NUT JET BREAKER	ECROU BRISE-JET	SPRITZ.BRECHER MUTTER
8	WY27421009	GUARNIZIONE TAPPO SCARICO	GASKET	JOINT	DICHTUNG
9	WY27421016	CAMERA ESPANSIONE	EXPANSION CHAMBER	CHAMBRE EXPANSION	UEBERDRUCKSBECKER
10	WY27421006	PERNO CAMERA ESPANSIONE	SHAFT EXP.CHAMBER	CHEVILLE CHAMBRE EXP.	STIFT BECKER
11	WY27421002	MOLLA SOPRA SCARICO	SPRING	RESSORT	FEDER
12	WY27421008	GUARNIZIONE DI TENUTA VITON 65	VITON GASKET 65	JOINT VITON 65	VITON DICHTUNG 65
13	WY27421013	PERNO QUADRO 10MM	SHAFT SQUARE 10MM	CHEVILLE CARREE 10MM	VIERECK.STIFT 10MM
14	WY12023	GUARNIZIONE TEFLON	TEFLON GASKET	JOINT TEFLON	TEFLON DICHTUNG
15	WY10405004	GRANO EI M8x25 PUNTA PIANA INOX	GRUB SCREW M8x25 STEEL	GRAIN M8X25 POINTE PLETE INOX	STAHLGEWINDESTIFT M8X25 FLACHSPITZE
16	WY27421012	PERNO QUADRO 12MM	SHAFT SQUARE 12MM	CHEVILLE CARREE 12MM	VIERECK.STIFT 12MM
17	WY27421005	GAMBO PORTA GUARNIZIONE	GASKETHOLDER SHAFT	TIGE PORTE JOINT	DICHT.HALT.STIFT
18	WY27421001	MOLLA FUNGO	SPRING MUSHROOM	RESSORT CHAMPIGNON	FEDER KOPF
19	WY27118	TAPPO GIGLER	JET CAP	BOUCHON GICLEUR	STOPFEN DUSE
20	WY10253	FILTRO GIGLER	JET FILTER	FILTRE GICLEUR	DUSE FILTER
21	WY10300C	GIGLER OTTONE D-0.7	BRASS JET D-0.7	GICLEUR LAITON D-0.7	VERMESSIN GTE DUSE 0.7
22	WY12025	GUARNIZIONE TEFLON	TEFLON GASKET	JOINT TEFLON	TEFLON DICHTUNG
23	WY27119002	FUNGO GRUPPO LEVETTA	DISTRIBUTION GROUP MUSHROOM	FONGUS GROUPE DEBIT	AUSGABEGRUPPE FUNGUS
24	WY12024	GUARNIZIONE OR VITON	VITON O RING GASKET	JOINT OR	OR DICHTUNG
25	WY12103	GUARNIZIONE RAME	CU GASKET	JOINT CU DE	CU DICHTUNG
26	WY23558	VITE TCEI INOX M6x8	STEEL SCREW TCCE 6x8	VIS INOX TCCE 6x8	STAHLSCHRAUBE TCCE 6x8
27	WY27105	DIFFUSORE GRUPPO W555	SPRAIER GROUP W555	DIFFUSEUR GROUPE	DIFFUSOR VERTEILEREINHEIT
28	WY27104	DOCCETTA GRUPPO INOX	S.STEEL GROUP SHOWER	DOUCHETTE GROUPE INOX	DUSCHE VERTEILEREINHEIT
29	WY12227	GUARNIZIONE SOTTOCOPPA 73,5x57,5x8	GROUP UNDERCUP SEAL 73,5x57,5x8	JOINT SOUCOUPPE 73,5X57,5X8	FILTERGRIFFDICHTUNG 73,5x57,5x8
29	WY12228	GUARNIZIONE SOTTOCOPPA 73,5x57,5x8,5	GROUP UNDERCUP SEAL 73,5x57,8x8,5	JOINT SOUCOUPPE 73,5X57,5X8,5	FILTERGRIFFDICHTUNG 73,5x57,5x8,5
30	WY27078008	CAMMA AZIONAMENTO GRUPPO LEVETTA WE	CAMS GROUP	CAME GROUPE	NOCKEN AUSGABEGRUPPE
31	WY27421019	FERMA CAMME	CAMES HOLDER	FERMECAMES	NOCKEN.HALTER
32	WY27421020	SUPPORTO CAMME	SUPPORT CAM	SUPPORT CAMES	NOCKEN TRAEGER
33	WY27421017	GUARNIZIONE CAMME LEVETTA	GASKET CAM	JOINT CAMES	DICHTUNG NOCKEN
34	WY27421021	PREMISTOPPA	SEALING	PRESSE-ETOUPE	STOPFBUCKSE
35	WY27421004	MOLLA PREMISTOPPA	SPRING SEALING	RESSORT PRESSE-ETOUPE	STOPFBUECHSE FEDER
36	WY27421023	DADO PREMI STOPPA	NUT SEALING	ECROU PRESSE-ETOUPE	MUTTER STOPFBUECHSE
37	WY27421024	BLOCCHETTO CAMMA GRUPPO	CAMES BLOCK GROUP	BLOC CAME GROUPE	ANSCHLAG GRUPPE

Pos	Cod.	Denominazione - IT -	Denomination - GB -	Denomination - FR -	Denomination - DE -
38	WY27421025	DADO BLOCCA CAMME	NUT CAMHOLDER	ECROU FERMECAMES	MUTTER NOCKEN HALTER
39	WY27421007	ASTA AZIONAMENTO GRUPPO	OPERATING ROD GROUP	TIGE GROUPE	GRUPPE ANTRIEB STIFT
40	WY15400	POMELLO LEVETTA POMPA	MANUAL FILL LEVER KNOB	BOUTON LEVIER POMPE	KNAUF PUMPENHEBEL
41	WY26104	GRUPPO EROGAZIONE LEVETTA WEGA	CAMS DISTRIBUTION GROUP	GROUPE DEBIT A CAME	NOCKEN AUSGABEGRUPPE



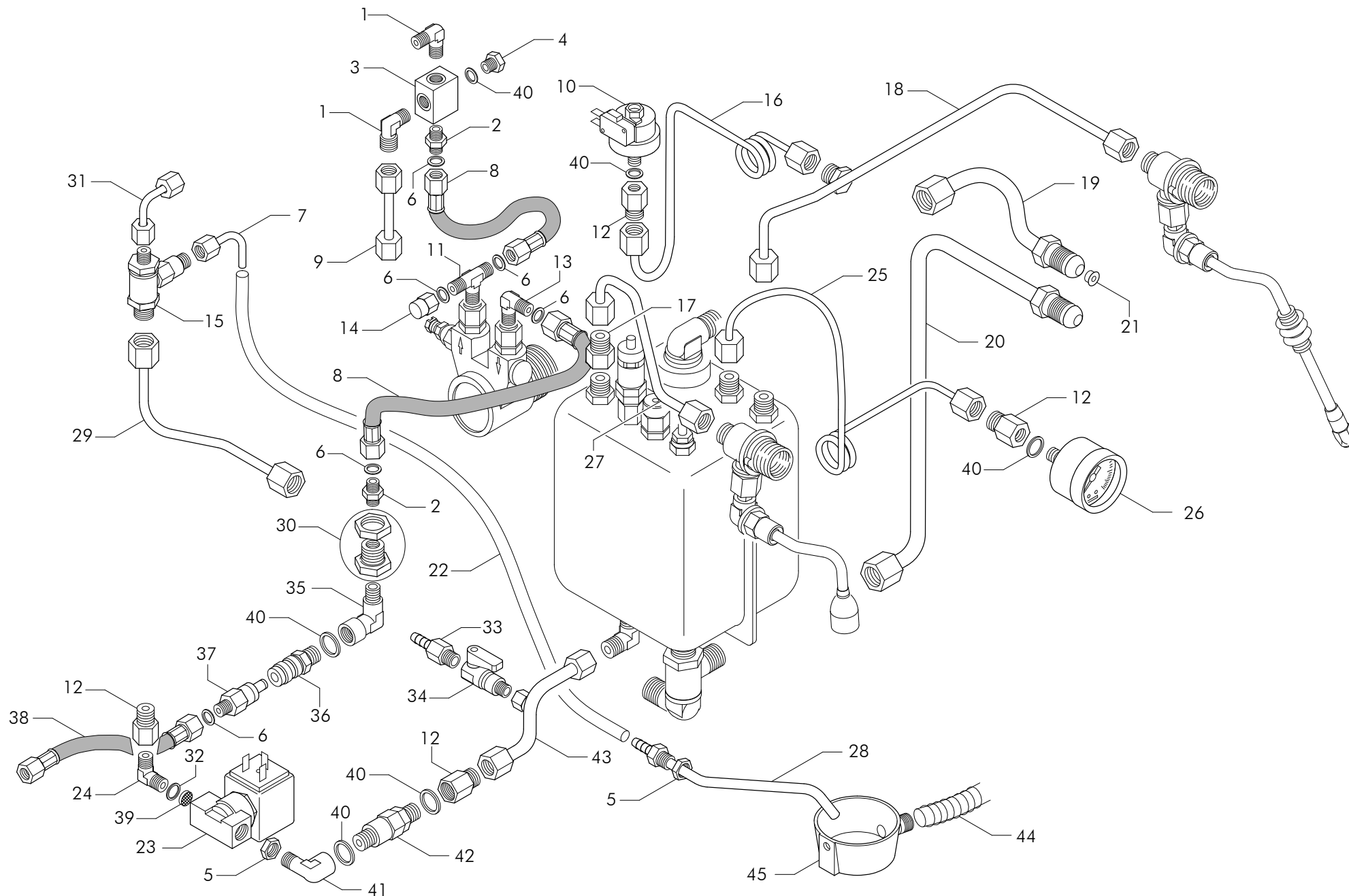
## EPU/EVD

Pos	Cod.	Denominazione - IT -	Denomination - GB -	Denomination - FR -	Denomination - DE -
1	WY23055	DADO ROMPIGETTO M + F	SPOUT-CUTTING NUT	ECROU	SCHRAUBENMUTTER
2	WY834718151R	KIT ELETTROVALVOLA GRUPPO 230V	GROUP SOLENOID VALVE 230V KIT	KIT ELECTROVANNE GROUPE 230V	MAGNETVENTIL GRUPPE KIT 230V
2	WY834718181015R	KIT ELETTROVALVOLA GRUPPO 110-120V NSF	KIT GROUP SOLENOID VALVE 110-120V NSF	KIT ELECTROVANNE GROUPE 110-120V NSF	KIT MAGNETVENTIL GRUPPE 110-120V NSF
3	WY12299002	GUARNIZIONE ROSSA PICCOLA	RED GASKET	JOINT ROUGE	DICHTUNG ROT
4	WY12299001	GUARNIZIONE VERDE A GOCCIA	GASKET	JOINT	DICHTUNG
5	WY23563	VITE TCEI 4x6	SCREW TCEI 4x6	VIS TCEI 4x6	SCHRAUBE TCEI 4x6
6	WY12227	GUARNIZIONE SOTTOCOPPA 73,5x57,5x8	GROUP UNDERCUP SEAL 73,5x57,5x8	JOINT SOUCOUBE 73,5x57,5x8	FILTERGRIFFDICHTUNG 73,5x57,5x8
6	WY12228	GUARNIZIONE SOTTOCOPPA 73,5x57,5x8,5	GROUP UNDERCUP SEAL 73,5x57,8x8,5	JOINT SOUCOUBE 73,5x57,5x8,5	FILTERGRIFFDICHTUNG 73,5x57,5x8,5
7	WY27104	DOCCETTA GRUPPO INOX	S.STEEL GROUP SHOWER	DOUCHETTE GROUPE INOX	DUSCHE VERTEILEREINHEIT
8	WY27105	DIFFUSORE GRUPPO W555	SPRAIER GROUP W555	DIFFUSEUR GROUPE	DIFFUSOR VERTEILEREINHEIT
9	WY29070104	ETICHETTA ADESIVA ARGENTO LUCIDO	LABEL	ETIQUETTE	ETIKETTE
10	WY27120	TAPPO GRUPPO CROMATO	DISTRIBUTION GROUP CAP	BOUCHON GROUPE DEBIT	STOPFEN DER ABGABEGRUPPE
11	WY12023	GUARNIZIONE TEFLON	TEFLON GASKET	JOINT TEFLON	TEFLON DICHTUNG
12	WY23558	VITE TCEI INOX M6x8	STEEL SCREW TCCE 6x8	VIS INOX TCCE 6x8	STAHLSCHRAUBE TCCE 6x8
13	WY12103	GUARNIZIONE RAME	CU GASKET	JOINT CU DE	CU DICHTUNG
14	WY10405004	GRANO EI M8x25 PUNTA PIANA INOX	GRUB SCREW M8x25 STEEL	GRAIN M8X25 POINTE PLETE INOX	STAHLGEWINDESTIFT M8X25 FLACHSPITZE
15	WY12024	GUARNIZIONE OR VITON	VITON O RING GASKET	JOINT OR	OR DICHTUNG
16	WY27119	FUNGO GRUPPO	DISTRIBUTION GROUP	FONGUS GROUPE DEBIT	AUSGABEGRUPPE FUNGUS
17	WY12025	GUARNIZIONE TEFLON	TEFLON GASKET	JOINT TEFLON	TEFLON DICHTUNG
18	WY10300C	GIGLER OTTONE D-0.7	BRASS JET D-0.7	GICLEUR LAITON D-0.7	VERMESSIN GTE DUSE 0.7
19	WY10253	FILTRO GIGLER	JET FILTER	FILTRE GICLEUR	DUSE FILTER
20	WY27118	TAPPO GIGLER	JET CAP	BOUCHON GICLEUR	STOPFEN DUSE
21	WY26102	GRUPPO EROGAZIONE	DISTRIBUTION GROUP	GROUPE DEBIT	AUSGABEGRUPPE



Pos	Cod.	Denominazione - IT -	Denomination - GB -	Denomination - FR -	Denomination - DE -
1	WY52002012	TUBO D-6 L.100 WE	PIPE D-6 L.100	TUYAU D.6 L.100	KANN.D-6 L.100 WE
2	WY12101	GUARNIZIONE RAME 3/8 22x17x3	GASKET COPPER 3/8 22x17x3	JOINT CUIVRE 3/8 22x17x3	KUPFERDICHTUNG 3/8 22x17x3
3	WY43020	DISTANZIALE POMPA	PUMP SPACER	ENTRETOISE POMPE	PUMPENENTFERNUNGSSTUCK
4	WY23203	RACCORDO OTT.GOM.D6.2 1/4x1/4 CON	ELBOW BRASS CONNECTOR D6.2 1/4X1/4	RACCORD COUDE LAITON D6.2 1/4X1/4	MESSING-ANSCHLUSS D6.2 1/4x1/4
5	WY25770	SPESSORE GRUPPO LEVETTA	LEVER GROUP THICKNESS	EPAISSEUR GROUPE A LEVIER	HEBELGRUPPIGE DICKE
6	WY56137003	ASS.RACCORDO CO 18+43020+12101+TEFLON	CONNECTOR	RACCORD	ANSCHLUSS
7	WY25686	RACCORDO 1/4x1/4	CONNECTOR 1/4 x 1/4	RACCORD 1/4 x 1/4	ANSCHLUSS 1/4x1/4
8	WY12153	GUARNIZIONE RAME 1/4 17x13.3x1.5	GASKET 1/4 17x13.3x1.5 COPPER	JOINT CUIVRE 1/4 17x13.3x1.5	KUPFERDICHTUNG 1/4 17x13.3x1.5
9	WY62600100	CALDAIA	BOILER	CHAUDIERE	KESSEL
10	WY56150	VALVOLA ANTIRISUCCHIO V.A.R.	ANTI-EDDY VALVE V.A.R.	SOUPAPE ANTI-DEPRESSION V.A.R.	VENTIL UNTERDRUCKFREI V.A.R.
11	WY20261	SONDA LIVELLO L.100	LEVEL PROBE L.100	JAUGE L.100	PEGELFUHLER L.100
12	WY25733	RACCORDO OT 1/8F x 1/4M	BRASS FITTING 1/8F x 1/4M	RACCORD LAITON 1/8F x 1/4M	MESSING-ANSCHLUSS 1/8F x 1/4M
13	WY20357	VALVOLA DI SICUREZZA 1/8 VAP	STEAM SAFETY VALVE 1/8	CLAPET DE SURETE 1/8 VAPEUR	DAMPF SICHERHEITSVENTIL 1/8
14	WY43052	RACCORDO "L" 3/8	CONNECTOR 'L' 3/8	RACCORD 'L' 3/8	ANSCHLUSS 'L' 3/8
15	WY56137002	ASS.RACCORDO "L" 43052+12101+TEFLON	CONNECTOR	RACCORD	ANSCHLUSS
16	WY52002093	TUBO D-6 L.110	TUBE D-6 L.110	TUYAU D-6 L.110	ROHR D-6 L.110
17	WY12001001	GUARNIZIONE TEFLON	TEFLON GASKET	JOINT TEFLON	TEFLON DICHTUNG
18	WY4617200	RESISTENZA MATASSA 120V/1200W CW510L	HEATING ELEMENT 120V/1200W CW510L	RESISTANCE ELEC.120V/1200W CW510L	HEIZKORPER 120V/1200W CW510L
18	WY4617201	RESISTENZA MATASSA 1'1/4 230/1300W CW510L	HEATING ELEMENT 1'1/4 220V 1300W	RESISTANCE ELEC. 1'1/4 220V 1300W	HEIZKORPER 1'1/4 220V 1300W
19	WY20304	TERMOSTATO BIMETALLICO 150.C	THERMOSTAT 150.C	THERMOSTAT 150.C	TERMOSTAT 150.C
20	WY15514110	PROTEZIONE RESISTENZA	HEATING ELEMENT COVER	COUVRE-RESISTENCE	HEIZKORPERDECKEL
21	WY77799000	FERMO PROTEZIONE RESISTENZA	FIXING COVER HEATING ELEMENT	SUPPORT COUVRE-RESISTENCE	HALTER DER HEIZKORPERDECKEL
22	WY23261	RONDELLA INOX DENTELLATA D4	INDENTED STAINLESS WASHER D4	RONDELLE DENTELEE INOX D 4	GEZACKTE STAHLSCHEIBE D4
23	WY23030	DADO INOX M4	STAINLESS STEEL NUT M4	ECROU INOX M4	STAHLMUTTER M4
24	WY12300030	GU OR 2150 DI37,82X1,78 VITON	O RING GASKET	JOINT OR	OR DICHTUNG



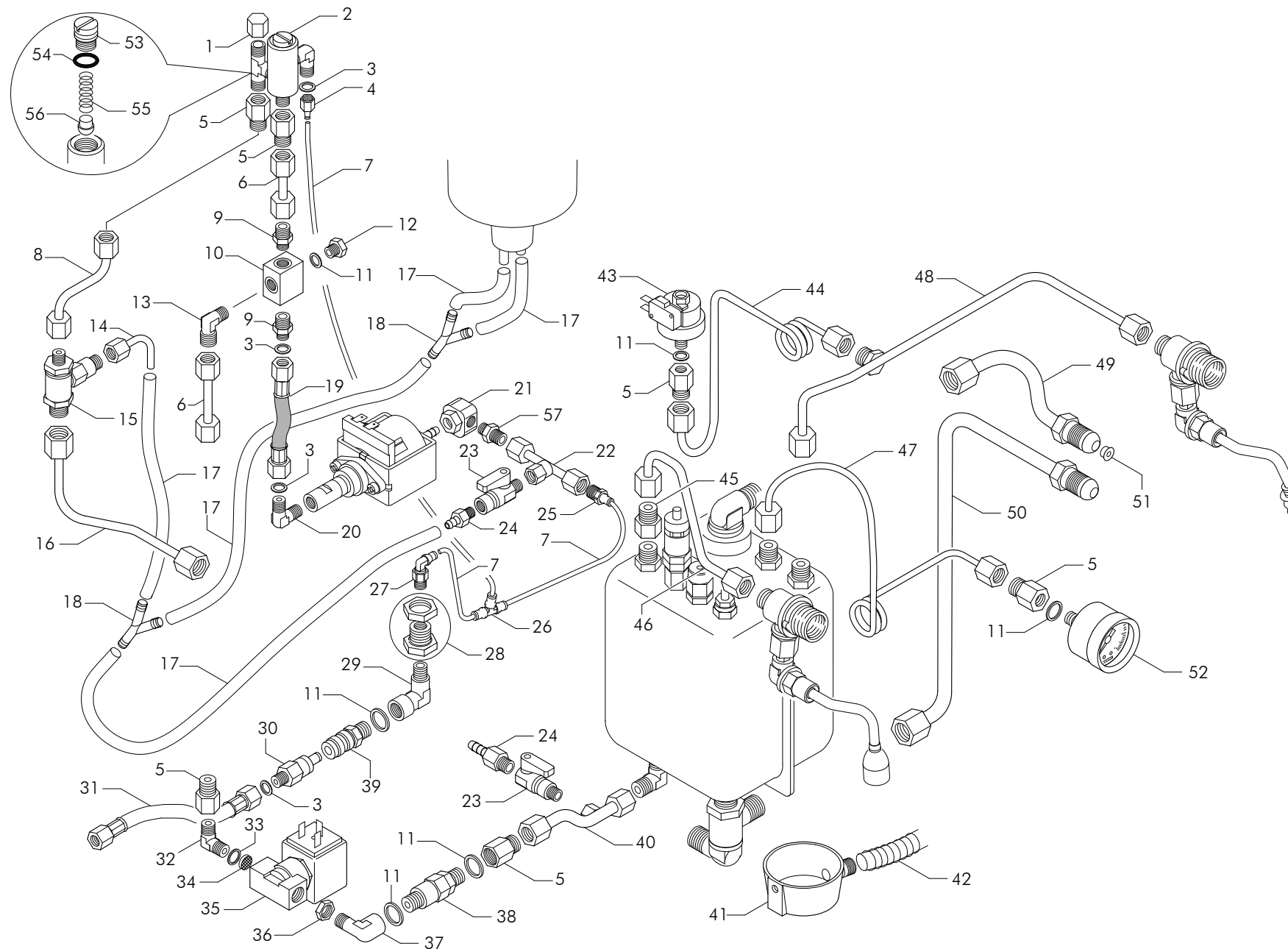


## EMA Motopompa - EMA Motorpump - EMA Motopompe - EMA Motopumpe

Pos	Cod.	Denominazione - IT -	Denomination - GB -	Denomination - FR -	Denomination - DE -
1	WY23201	RACCORDO GOM.D6.2 1/4M 1/8M-AEA	ELBOW BRASS CONNECTOR D6.2 1/4M 1/8M	RACCORD COUDE LAITON D6.2 1/4M 1/8M	MESSING-ANSCHLUSS D6.2 1/4M 1/8M
2	WY23210	RACCORDO DIR D4 1/8x1/8 CON L.5	STRAIGHT FITTING D4 1/8x1/8 CONICAL	RACC. DROIT D4 1/8x1/8 CONIQUE L.5	GERADER ANSCHLUSS D4 1/8x1/8 MIT L.5
3	WY25430	DISTRIBUTORE OTT 25X25X15	BRASS DISTRIBUTOR 25x25x15	DISTRIBUTEUR LAITON 25x25x15	MESSING VERTEILER 25x25x15
4	WY25787	TAPPO MASCHIO 1/8	MALE CAP 1/8	BOUCHON MALE 1/8	STOPFEN 1/8
5	WY25395	DADO 1/8	1/8 NUT	ECROU 1/8	MUTTER 1/8
6	WY12012	GUARNIZIONE TEFLON 8.5x4x2	GASKET TEFLON 8.5x4x2	JOINT TEFLON 8.5x4x2	DICHTUNG TEFLON 8.5x4x2
7	WY52002898	TUBO D-6 L.50	TUBE D-6 L.50	TUYAU D-6 L.50	ROHR D. 6 L.50
8	WY15456001	TUBO RETINATO NERO FF1/8 L22 cm Ni	WIRED HOSE BLACK FF1/8 L=22 cm	TUYAU GRILLE NOIR FF1/8 L=22 cm	SCHWARZ RASTERROHR FF1/8 L=22 cm
9	WY52001428	TUBO D-6 L.50	TUBE D-6 L.50	TUYAU D-6 L.50	ROHR D-6 L.50
10	WY20155	PRESSOSTATO XP73B941.010 T.1bar XP110 1/8g	PRESSURE SWITCH 1 BAR 1/8 GAS	PRESSOSTAT P79B921.010 1bar 1/8 gaz	DRUCKMESSER XP79B921.010 T.1bar 1/8
11	WY23211	RACCORDO OTT. -T- 1/8x1/8x1/8	BRASS CONNECTOR 'T' 1/8X1/8X1/8	RACCORD LAITON "T" 1/8X1/8X1/8	MESSING FITTING "T" 1/8x1/8x1/8
12	WY25733	RACCORDO OT 1/8F x 1/4M	BRASS FITTING 1/8F x 1/4M	RACCORD LAITON 1/8F x 1/4M	MESSING-ANSCHLUSS 1/8F x 1/4M
13	WY23207	RACCORDO 1/8x1/8 CON	CONNECTOR 1/8X1/8	RACCORD 1/8X1/8	ANSCHLUSS 1/8x1/8
14	WY25790	TAPPO 1/8 GAS FEMMINA	FEMALE CAP 1/8 GAS	BOUCHON FEMELLE 1/8 GAS	STOPFEN 1/8 GAS
15	WY56153	VALVOLA DOSATORE S.C.N.R.	S.C.N.R. DOSER VALVE	VANNE DOSEUR S.C.N.R.	DOSIERERVENTIL S.C.N.R.
16	WY52002098	TUBO D-4 L.1120 CO 88	TUBE D-4 L.1120	TUYAU D-4 L.1120	ROHR D-4 L.1120
17	WY25715002	RACCORDO DRITTO 1/4F 1/4M FORO D-1.2	CONNECTOR 1/4F 1/4M D-1.2	RACCORD 1/4F 1/4M D-1.2	GERADER ANSCHLUSS 1/4F 1/4M LOCH D-1.2
18	WY52002096	TUBO D-6 L.135 CO 85	TUBE D-6 L.200	TUYAU D-6 L.200	ROHR D-6 L.200
19	WY52002079	TBS.D-10 L.110 CO 69 SCAMB.SUP.>GRUPPO SUP	TUBE D-10 L.110 CO 69	TUYAU D-10 L.110 CO 69	ROHR D-10 L.110 CO 69
20	WY52002078	TBS.D-10 L.380 CO 68 SCAMB.INF.>GRUPPO INF	TUBE D-10 L.380 CO 68	TUYAU D-10 L.380 CO 68	ROHR D-10 L.380 CO 68
21	WY23293001	STROZZATURA RICIRCOLO GR D 4	REDUCED CONNECTOR OF GROUP D4	RACCORD REDUIT DU GROUPE D4	VERKLEINERTE FITTING DER GRUPPE D4
22	WY15477010	TUBO SILICONE 4x8 KG/Mt 0,045	SILICONE PIPE 4X8	TUBE EN SILICONE 4x8 0.045 Kg/Mt	SILIKONSCHLAUCH 4x8 KG/Mt 0,045
23	WY4618162005	ELETTROVALVOLA AEA 220-240V 50-60Hz VDE/CW	SOL.VALVE WATER REFILL 220/240 50/60HZ	ELECTROVANNE REA 220/240V 50/60Hz VDE/	ELEKTROVENTIL AWZ 230/250 V 50/60 Hz
24	WY23205	RACCORDO -L- D4 1/8x1/8 CON F1.2	ELBOW BRASS CONNECTOR D4 1/8x1/8	RACCORD COUDE LAITON D4 1/8x1/8	MESSING FITTING D4 1/8x1/8
25	WY52002097	TUBO D-4 L.470 CO 87	TUBE D-4 L.470	TUYAU D-4 L.470	ROHR D-4 L.470
26	WY21105	MANOMETRO 2.5 BAR 1/8 D 44 TUV	PRESSURE GAUGE 2.5 BAR 1/8 D44 TUV	MANOMETRE 2.5 BAR 1/8 D44 TUV	MANOMETER 2.5 BAR 1/8 D44 TUV
27	WY52002094	TUBO D-6 L.100 CO 84	TUBE D-6 L.100	TUYAU D-6 L.100	ROHR D-6 L.100
28	WY52002129	TUBO D-6 L.120 CO 97	TUBE D-6 L.120	TUYAY D-6 L.120	ROHR D-6 L.120
29	WY52002095	TUBO D-6 L.135 CO 85	TUBE D-6 L.135	TUYAY D-6 L.135	ROHR D-6 L.135
30	WY23229201	RACCORDO ATTRAVERS.PARETE 1/8F	CONNECTOR 1/8F 0117	RACCORD 1/8F	VENTIL 1/8F
31	WY52002082	TUBO D-6 L.40 CO 72	TUBE D-6 L.40	TUYAU D-6 L.40	ROHR D-6 L.40
32	WY12155	GUARNIZIONE RAME 8.5x5x1	COPPER GASKET 8.5X5X1	JOINT CU 8.5X5X1	CU DICHTUNG 8.5x5x1
33	WY25725	RACCORDO PORTAGOMMA 1/8	VALVE CONNECTOR 1/8	RACCORD 1/8 SOUPAPE	VENTILFITTING 1/8
34	WY20227001	RUBINETTO SFERA 1/8M-1/8F	TAP 1/8M - 1/8F	ROBINET 1/8M - 1/8F	HAHN 1/8M - 1/8F
35	WY23229103	RACCORDO 1/8M CON-1/8F	CONECTOR 1/8M CON-1/8F	RACCORD 1/8M CON-1/8F	VENTIL 1/8M CON-1/8F
36	WY23229202	GIUNTO AUTOM.CORPO MASCHIO 1/8	AUT. COUPLING 1/8	JOINT AUT. 1/8	AUT.ANSCHLUSS 1/8
37	WY23229203	GIUNTO AUTOM.INNESTO MASCHIO 1/8	AUT. COUPLING 1/8	JOINT AUTOMAT. 1/8	AUT. ANSCHLUSS 1/8
38	WY30406	TUBOFLEX 1/8FF P.GOMMA PIA. L100 Ni	TUBOFLEX 1/8FF RUBBER-HOLDER L100	TUBOFLEX 1/8FF PORTE-GOMME L100	TUBOFLEX 1/8FFGUMMI-HALTER L100

## EMA Motopompa - EMA Motorpump - EMA Motopompe - EMA Motopumpe

Pos	Cod.	Denominazione - IT -	Denomination - GB -	Denomination - FR -	Denomination - DE -
39	WY10251001	FILTRO IN ACCIAIO D-8 Sp.0,3	STEEL FILTER D-8 - 0.3 THICK	FILTRE EN ACIER D-8 Ep.0,3	STAHLFILTER D-8 Sp.0,3
40	WY12151	GUARNIZIONE RAME 1/8 13x10.2x1.5	COPPER GASKET	JOINT CUIVRE	KUPFERDICHTUNG
41	WY23212	RACCORDO OTT.GOM.1/8FEMMx1/8M	ELBOW BRASS CONNECTOR 1/8Fx1/8M	RACCORD COUDE LAITON 1/8Fx1/8M	MESSING-ANSCHLUSS 1/8x1/8M
42	WY20358	VALVOLA NON RITORNO 1/8-1/8 MASCHIO	NON-RETURN VALVE 1/8 - 1/8 MALE	CLAPET ANTI-RETOUR 1/8 - 1/8 MALE	RUCKSCHLAGVENTIL 1/8-1/8
43	WY52002083	TUBO D-6 L.90 CO 73	TUBE D-6 L.90	TUYAU D-6 L.90	ROHR D-6 L.90
44	WY15470	TUBO CAVOFLEX D16 SCARICO	D16 CAVOFLEX DRAIN PIPE	TUYAU CAVOFLEX D16 SCARICO	ABFLUSSROHR CAVOFLEX D16
45	WY15502	VASCHETTA SCARICO ROTONDA D 80	ROUND DRAIN BASIN D.80mm	CUVE A VIDANGER RONDE D.80mm	RUNDE ABFLUSSCHALE D.80mm

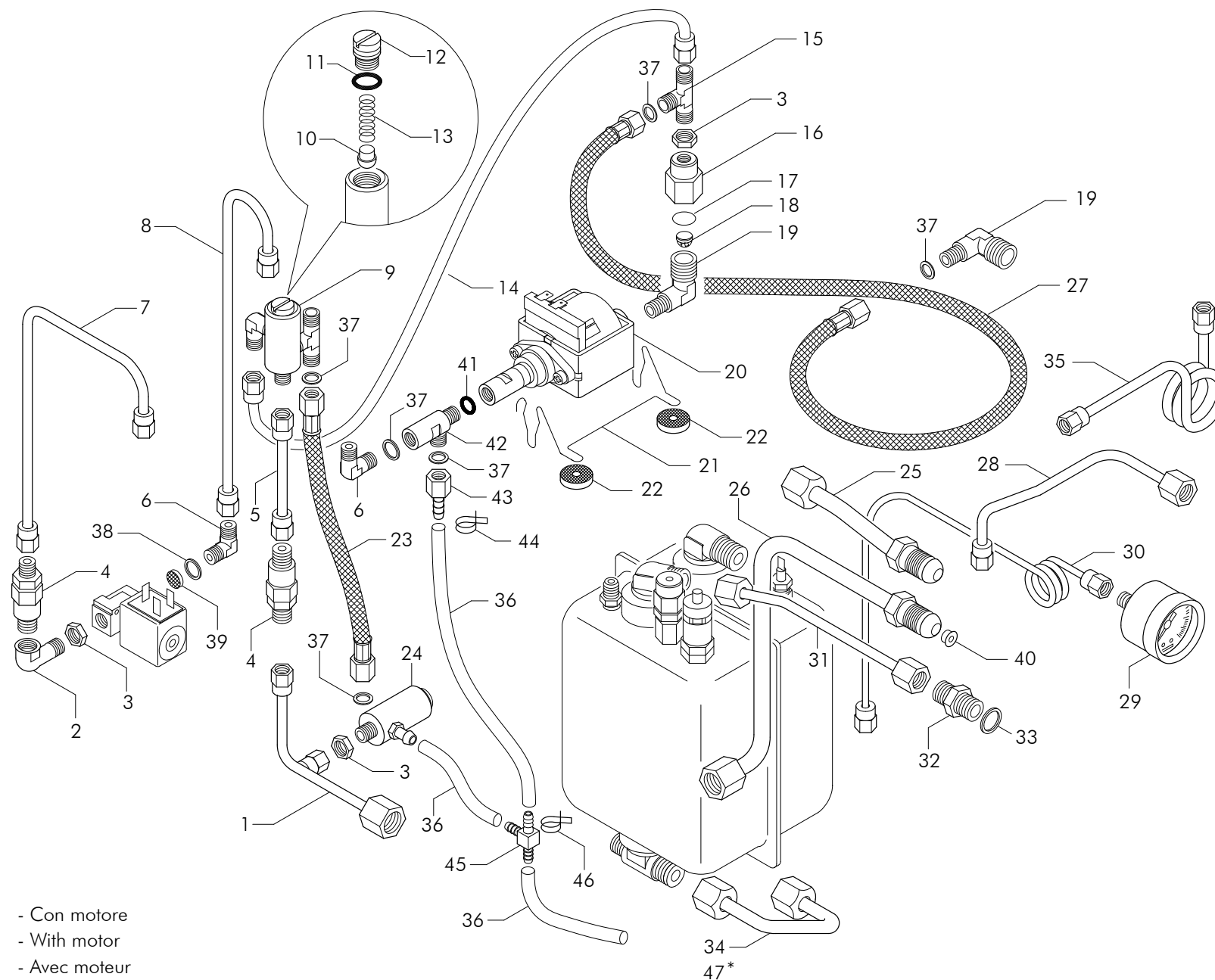


## EMA Vibropompa - EMA Vibration pump - EMA Pompe vibration - EMA Vibrationspumpe

Pos	Cod.	Denominazione - IT -	Denomination - GB -	Denomination - FR -	Denomination - DE -
1	WY25790	TAPPO 1/8 GAS FEMMINA	FEMALE CAP 1/8 GAS	BOUCHON FEMELLE 1/8 GAS	STOPFEN 1/8 GAS
2	WY56210	VALVOLA ESPANSIONE POMPA 2R	PUMP EXPANSION VALVE	VALVE EXPANSION POMPE	EXPANSIONSVENTIL DER PUMPE
3	WY12012	GUARNIZIONE TEFLON 8.5x4x2	GASKET TEFLON 8.5x4x2	JOINT TEFLON 8.5x4x2	DICHTUNG TEFLON 8.5x4x2
4	WY23229051	RACCORDO RAPIDO DRITTO 1/8F D-4	QUICK COUPLING 1/8F D-4	RACCORD RAPIDE 1/8F D-4	STECKVERBINDUNG 1/8F D-4
5	WY25733	RACCORDO OT 1/8F x 1/4M	BRASS FITTING 1/8F x 1/4M	RACCORD LAITON 1/8F x 1/4M	MESSING-ANSCHLUSS 1/8F x 1/4M
6	WY52001428	TUBO D-6 L.50	TUBE D-6 L.50	TUYAU D-6 L.50	ROHR D-6 L.50
7	WY15452001	TUBO TEFLON D-2,5x4	TUBE TEFLON D-2,5x4	TUYAU TEFLON D 2,5X24	TEFLONROHR D 2,5x4
8	WY52001667	TBS.D-6 L.80 1GR DE 59	D-6 80 L PIPE 1GR DE 59	TUYAU D-6 L.80 1GR DE 59	ROHR D-6 L.80 1GR DE 59
9	WY23210	RACCORDO DIR D4 1/8x1/8 CON L.5	STRAIGHT FITTING D4 1/8x1/8 CONICAL	RACC. DROIT D4 1/8x1/8 CONIQUE L.5	GERADER ANSCHLUSS D4 1/8x1/8 MIT L.5
10	WY25430	DISTRIBUTORE OTT 25X25X15	BRASS DISTRIBUTOR 25x25x15	DISTRIBUTEUR LAITON 25x25x15	MESSING VERTEILER 25x25x15
11	WY12151	GUARNIZIONE RAME 1/8 13x10.2x1.5	COPPER GASKET	JOINT CUIVRE	KUPFERDICHTUNG
12	WY25787	TAPPO MASCHIO 1/8	MALE CAP 1/8	BOUCHON MALE 1/8	STOPFEN 1/8
13	WY23203	RACCORDO OTT.GOM.D6.2 1/4x1/4 CON	ELBOW BRASS CONNECTOR D6.2 1/4X1/4	RACCORD COUDE LAITON D6.2 1/4X1/4	MESSING-ANSCHLUSS D6.2 1/4x1/4
14	WY52002898	TUBO D-6 L.50	TUBE D-6 L.50	TUYAU D-6 L.50	ROHR D. 6 L.50
15	WY56153	VALVOLA DOSATORE S.C.N.R.	S.C.N.R. DOSER VALVE	VANNE DOSEUR S.C.N.R.	DOSIERERVENTIL S.C.N.R.
16	WY52002095	TUBO D-6 L.135 CO 85	TUBE D-6 L.135	TUYAU D-6 L.135	ROHR D-6 L.135
17	WY15477010	TUBO SILICONE 4x8 KG/Mt 0,045	SILICONE PIPE 4X8	TUBE EN SILICONE 4x8 0.045 Kg/Mt	SILIKONSCHLAUCH 4x8 KG/Mt 0,045
18	WY15422005	RACCORDO "Y" POLIPROPILENE D-8	CONNECTOR "Y" POLYPROPYLENE D-8	RACCORD "Y" POLYPROP. D8	ANSCHLUSSTUCK "Y" D-8
19	WY15456001	TUBO RETINATO NERO FF1/8 L22 cm Ni	WIRED HOSE BLACK FF1/8 L=22 cm	TUYAU GRILLE NOIR FF1/8 L=22 cm	SCHWARZ RASTERROHR FF1/8 L=22 cm
20	WY23207	RACCORDO 1/8x1/8 CON	CONNECTOR 1/8X1/8	RACCORD 1/8X1/8	ANSCHLUSS 1/8x1/8
21	WY25691002	RACCORDO ATTACCO A RETE POMPA ULKA	CONNECTOR	RACCORD	ANSCHLUSS
22	WY52002088	TUBO D-6 L.45	TUBE D-6 L.45	TUYAU D-6 L.45	ROHR D-6 L.45
23	WY20227001	RUBINETTO SFERA 1/8M-1/8F	TAP 1/8M - 1/8F	ROBINET 1/8M - 1/8F	HAHN 1/8M - 1/8F
24	WY25725	RACCORDO PORTAGOMMA 1/8	VALVE CONNECTOR 1/8	RACCORD 1/8 SOUPEPE	VENTILFITTING 1/8
25	WY23229003	RACCORDO RAPIDO DRITTO 1/4M CON D-4	QUICK COUPLING 1/4M D-4 3675	RACCORD RAPIDE 1/4M D-4 3675	STECKVERBINDUNG 1/4M D-4 3675
26	WY23229152	RACCORDO RAPIDO -T- D-4	CONNECTOR -T- D-4	RACCORD -T- D-4	ANSCHLUSS -T- D-4
27	WY23229100	RACCORDO RAPIDO -L- 1/8M D-4	1/8 4-D "L" QUICK COUPLING	RACCORD RAPIDE "L" 1/8 D-4	STECKVERBINDUNG "L" 1/8 D-4
28	WY23229201	RACCORDO ATTRAVERS.PARETE 1/8F	CONNECTOR 1/8F 0117	RACCORD 1/8F	VENTIL 1/8F
29	WY23229103	RACCORDO 1/8M CON-1/8F	CONNECTOR 1/8M CON-1/8F	RACCORD 1/8M CON-1/8F	VENTIL 1/8M CON-1/8F
30	WY23229203	GIUNTO AUTOM.INNESTO MASCHIO 1/8	AUT. COUPLING 1/8	JOINT AUTOMAT. 1/8	AUT. ANSCHLUSS 1/8
31	WY30406	TUBOFLEX 1/8FF P.GOMMA PIA. L100 Ni	TUBOFLEX 1/8FF RUBBER-HOLDER L100	TUBOFLEX 1/8FF PORTE-GOMME L100	TUBOFLEX 1/8FFGUMMI-HALTER L100
32	WY23205	RACCORDO -L- D4 1/8x1/8 CON F1.2	ELBOW BRASS CONNECTOR D4 1/8x1/8	RACCORD COUDE LAITON D4 1/8x1/8	MESSING FITTING D4 1/8x1/8
33	WY12155	GUARNIZIONE RAME 8.5x5x1	COPPER GASKET 8.5X5X1	JOINT CU 8.5X5X1	CU DICHTUNG 8.5x5x1
34	WY10251001	FILTRO IN ACCIAIO D-8 Sp.0,3	STEEL FILTER D-8 - 0.3 THICK	FILTRE EN ACIER D-8 Ep.0,3	STAHLFILTER D-8 Sp.0,3
35	WY4618162005	ELETTROVALVOLA AEA 220-240V 50-60Hz VDE/CW	SOL.VALVE WATER REFILL 220/240 50/60HZ	ELECTROVANNE REA 220/240V 50/60Hz VDE/	ELEKTROVENTIL AWZ 230/250 V 50/60 Hz
36	WY25395	DADO 1/8	1/8 NUT	ECROU 1/8	MUTTER 1/8
37	WY23212	RACCORDO OTT.GOM.1/8FEMMx1/8M	ELBOW BRASS CONNECTOR 1/8Fx1/8M	RACCORD COUDE LAITON 1/8Fx1/8M	MESSING-ANSCHLUSS 1/8x1/8M
38	WY20358	VALVOLA NON RITORNO 1/8-1/8 MASCHIO	NON-RETURN VALVE 1/8 - 1/8 MALE	CLAPET ANTI-RETOUR 1/8 - 1/8 MALE	RUCKSCHLAGVENTIL 1/8-1/8

## EMA Vibropompa - EMA Vibration pump - EMA Pompe vibration - EMA Vibrationspumpe

Pos	Cod.	Denominazione - IT -	Denomination - GB -	Denomination - FR -	Denomination - DE -
39	WY23229202	GIUNTO AUTOM.CORPO MASCHIO 1/8	AUT. COUPLING 1/8	JOINT AUT. 1/8	AUT.ANSCHLUSS 1/8
40	WY52002083	TUBO D-6 L.90 CO 73	TUBE D-6 L.90	TUYAU D-6 L.90	ROHR D-6 L.90
41	WY15502	VASCETTA SCARICO ROTONDA D 80	ROUND DRAIN BASIN D.80mm	CUVE A VIDANGER RONDE D.80mm	RUNDE ABFLUSSCHALE D.80mm
42	WY15470	TUBO CAVOFLEX D16 SCARICO	D16 CAVOFLEX DRAIN PIPE	TUYAU CAVOFLEX D16 SCARICO	ABFLUSSROHR CAVOFLEX D16
43	WY20155	PRESSOSTATO XP73B941.010 T.1bar XP110 1/8g	PRESSURE SWITCH 1 BAR 1/8 GAS	PRESSOSTAT P79B921.010 1bar 1/8 gaz	DRUCKMESSER XP79B921.010 T.1bar 1/8
44	WY52002098	TUBO D-4 L.1120 CO 88	TUBE D-4 L.1120	TUYAU D-4 L.1120	ROHR D-4 L.1120
45	WY25715002	RACCORDO DRITTO 1/4F 1/4M FORO D-1.2	CONNECTOR 1/4F 1/4M D-1.2	RACCORD 1/4F 1/4M D-1.2	GERADER ANSCHLUSS 1/4F 1/4M LOCH D-1.2
46	WY52002094	TUBO D-6 L.100 CO 84	TUBE D-6 L.100	TUYAU D-6 L.100	ROHR D-6 L.100
47	WY52002097	TUBO D-4 L.470 CO 87	TUBE D-4 L.470	TUYAU D-4 L.470	ROHR D-4 L.470
48	WY52002096	TUBO D-6 L.135 CO 85	TUBE D-6 L.200	TUYAU D-6 L.200	ROHR D-6 L.200
49	WY52002079	TBS.D-10 L.110 CO 69 SCAMB.SUP.>GRUPPO SUP	TUBE D-10 L.110 CO 69	TUYAU D-10 L.110 CO 69	ROHR D-10 L.110 CO 69
50	WY52002078	TBS.D-10 L.380 CO 68 SCAMB.INF.>GRUPPO INF	TUBE D-10 L.380 CO 68	TUYAU D-10 L.380 CO 68	ROHR D-10 L.380 CO 68
51	WY23293001	STROZZATURA RICIRCOLO GR D 4	REDUCED CONNECTOR OF GROUP D4	RACCORD REDUIT DU GROUPE D4	VERKLEINERTE FITTING DER GRUPPE D4
52	WY21105	MANOMETRO 2.5 BAR 1/8 D 44 TUV	PRESSURE GAUGE 2.5 BAR 1/8 D44 TUV	MANOMETRE 2.5 BAR 1/8 D44 TUV	MANOMETER 2.5 BAR 1/8 D44 TUV
53	WY4525786	TAPPO VALVOLA ESPANS.POMPA NI	EXPANSION VALVE TAP NI	BOUCHON CLAPET EXPANSION NI	EXPANSIONSVENTIL STOPSEL NI
54	WY12320	GUARNIZIONE OR 112 Di9.93x2.62 NBR SH 75	O RING 112 Di9.93x2.62 NBR SH 75	JOINT OR 112 Di9.93x2.62 NBR SH 75	OR DICHTUNG 112 Di9.93x2.62 NBR 75
55	WY10470	MOLLA VALVOLA ESPANSIONE	EXPANSION VALVE SPRING	RESSORT CLAPET EXPANSION	EXPANSIONSVENTILFEDER
56	WY12600	FUNGHETTO GOMMA VALVOLA	VALVE RUBBER HEAD	TETE GOMME SOUPAPE	GUMMIVENTILKNOPF
57	WY25707	RACCORDO 1/8x1/4	CONNECTOR 1/8x1/4	RACCORD 1/8x1/4	ANSCHLUSS 1/8x1/4



- \* - Con motore
- With motor
- Avec moteur
- Mit motor

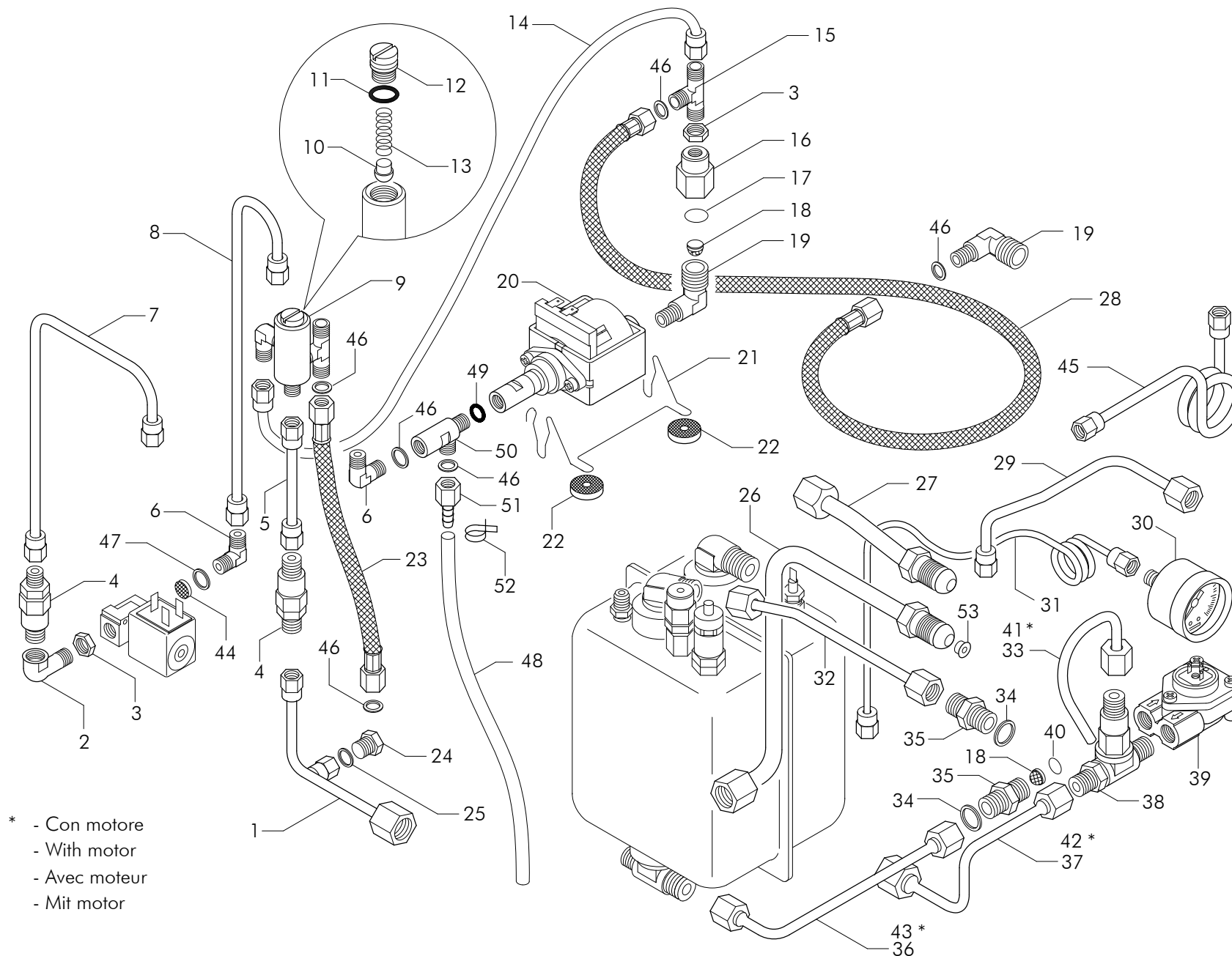
## EPU

Pos	Cod.	Denominazione - IT -	Denomination - GB -	Denomination - FR -	Denomination - DE -
1	WY52002004	TBS.D-6 L.130 WE + COMPACT CO 21SCAMBIA	PIPE D-6 L.130	TUYAU D.6 L.130	KANN. D-6 L.130 WE+COMPACT CO 21
2	WY23212	RACCORDO OTT.GOM.1/8FEMMx1/8M	ELBOW BRASS CONNECTOR 1/8Fx1/8M	RACCORD COUDE LAITON 1/8Fx1/8M	MESSING-ANSCHLUSS 1/8x1/8M
3	WY25395	DADO 1/8	1/8 NUT	ECROU 1/8	MUTTER 1/8
4	WY20358	VALVOLA NON RITORNO 1/8-1/8 MASCHIO	NON-RETURN VALVE 1/8 - 1/8 MALE	CLAPET ANTI-RETOUR 1/8 - 1/8 MALE	RUCKSCHLAGVENTIL 1/8-1/8
5	WY52002029	TUBO D-6 L.70 C031 V.N.R. > VALV.ESP.POMPA	PIPE D-6 L.70	TUYAU D.6 L.70	KANN. D-6 L.70 COMPACT CO 31
6	WY23207	RACCORDO 1/8x1/8 CON	CONNECTOR 1/8X1/8	RACCORD 1/8X1/8	ANSCHLUSS 1/8x1/8
7	WY52002027	TUBO D-6 L.295 C029EV.AEA > CALDAIA	PIPE D-6 L.295	TUYAU D.6 L.295	KANN. D-6 L.295 COMPACT CO 29
8	WY52002042	TUBO D-6 L.280 C038 VALV.ESP. POMPA > EV.	PIPE D-6 L.280	TUYAU D.6 L.280	KANN. D-6 L.280 COMPACT CO 38
9	WY56210	VALVOLA ESPANSIONE POMPA 2R	PUMP EXPANSION VALVE	VALVE EXPANSION POMPE	EXPANSIONSVENTIL DER PUMPE
10	WY12600	FUNGHETTO GOMMA VALVOLA	VALVE RUBBER HEAD	TETE GOMME SOUPE	GUMMIVENTILKNOPF
11	WY12320	GUARNIZIONE OR 112 Di9.93x2.62 NBR SH 75	O RING 112 Di9.93x2.62 NBR SH 75	JOINT OR 112 Di9.93x2.62 NBR SH 75	OR DICHTUNG 112 Di9.93x2.62 NBR 75
12	WY25786	TAPPO VALVOLA ESPANS. POMPA	PUMP EXPANSION VALVE CAP	BOUCHON SOUPE EXP. POMPE	STOPFEN FUR PUMPENEXPANSIONSVENTIL
13	WY10470	MOLLA VALVOLA ESPANSIONE	EXPANSION VALVE SPRING	RESSORT CLAPET EXPANSION	EXPANSIONSVENTILFEDER
14	WY52002861	TUBO D-6 L.330 WSN/6USC.BLOCCO ELV.GRUPPO	TUBE D-6 L.370 TEFLON WSN/6	TUBE D-G L.370 S. NOVA TEFLON	ROHR D-G L. 370 S.NOVA TEFLON WSN/G
15	WY23211	RACCORDO OTT.-T- 1/8x1/8x1/8	BRASS CONNECTOR 'T' 1/8X1/8X1/8	RACCORD LAITON "T" 1/8X1/8X1/8	MESSING FITTING "T" 1/8x1/8x1/8
16	WY25744	RIDUZIONE 1/8Fx3/8F V.N.R.	REDUCTION 1/8Fx3/8F	REDUCTION 1/8Fx3/8F	REDUKTION 1/8Fx3/8F
17	WY12312	GUARNIZIONE OR FILTRO AEA 10x2	O RING FOR WATER REFILL FILTER 10x2	JOINT OR FILTRE AUT.REM.EAU 10X2	OR DICHTUNG FUR WASSERFULLUNGFILTER
18	WY10254	FILTRO ACCIAIO 160-200 MESH	STEEL FILTER 160-200 MESH	FILTRE EN ACIER 160-200 MESH	STAHLFILTER 160-200 MESH
19	WY23206	RACCORDO -L- D10 3/8x1/8CON	ELBOW BRASS CONNECTOR D10 3/8X1/8	RACCORD COUDE LAITON D10 3/8X1/8	MESSING FITTING D10 3/8x1/8
20	WY26304	POMPA FLUID VIB.220/240V 1106PAILM1N	FLUIDOTEC VIBRATION PUMP 220/240V	POMPE VIBRATION FLUIDOTEC 220/240V	VIBRATIONS Pumpe FLUIDOTEC 220/240V
20	WY26310	POMPA FLUID.VIB.110V 1106PAIFM1N	FLUIDOTEC VIBRATION PUMP 110V	POMPE VIBRATION FLUIDOTEC 110V	VIBRATIONS Pumpe FLUIDOTEC 110V
21	WY26306	SUPPORTO FISSO POMPA VIBRAZIONE	FIXING BEARING VIBRATION PUMP	SUPPORT POMPE VIBRATION	HALTER DER VIBRATIONS Pumpe
22	WY15313	PIEDINI NEOPRENE 20x4.5	NEOPRENE LEG 20X4.5	PIED NEOPRENE 20X4.5	NEOPRENEFUSSE 20x4.5
23	WY30400	TUBOFLEX 1/8FF P.GOMMA PIA. L37 Ni	TUBOFLEX 1/8FF RUBBER-HOLDER L37	TUBOFLEX 1/8FF PORTE-GOMME L37	TUBOFLEX 1/8FF GUMMI-HALTER L37
24	WY56200	VALVOLA ESPANSIONE COMPACT 1R	COMPACT EXPANSION VALVE	VALVE EXPANSION COMPACT	COMPACT EXPANSIONSVENTIL
25	WY52002079	TBS.D-10 L.110 CO 69 SCAMB.SUP.>GRUPPO SUP	TUBE D-10 L.110 CO 69	TUYAU D-10 L.110 CO 69	ROHR D-10 L.110 CO 69
26	WY52002078	TBS.D-10 L.380 CO 68 SCAMB.INF.>GRUPPO INF	TUBE D-10 L.380 CO 68	TUYAU D-10 L.380 CO 68	ROHR D-10 L.380 CO 68
27	WY30406	TUBOFLEX 1/8FF P.GOMMA PIA. L100 Ni	TUBOFLEX 1/8FF RUBBER-HOLDER L100	TUBOFLEX 1/8FF PORTE-GOMME L100	TUBOFLEX 1/8FFGUMMI-HALTER L100
28	WY52002049	TBS.D-6 L.210 CO 40 RACC."T" 1/8 > RUB.V	PIPE D-6 L.210	TUYAU D-6 L.210	KANN. D-6 L.210
29	WY21105	MANOMETRO 2.5 BAR 1/8 D 44 TUV	PRESSURE GAUGE 2.5 BAR 1/8 D44 TUV	MANOMETRE 2.5 BAR 1/8 D44 TUV	MANOMETER 2.5 BAR 1/8 D44 TUV
30	WY52002043	TUBO D-4 L.570 C039CALDAIA > MANOMETRO	PIPE D-4 L.570	TUYAU D.4 L.570	KANN. D-4 L.570 COMPACT CO 39
31	WY52002031	TBS.D-6 L.90 C033CALDAIA > ELETTROVALVOL	PIPE D-6 L.90	TUYAU D.6 L.90	KANN. D-6 L.90 COMPACT CO 33
32	WY25686	RACCORDO 1/4x1/4	CONNECTOR 1/4 x 1/4	RACCORD 1/4 x 1/4	ANSCHLUSS 1/4x1/4
33	WY12153	GUARNIZIONE RAME 1/4 17x13.3x1.5	GASKET 1/4 17x13.3x1.5 COPPER	JOINT CUIVRE 1/4 17x13.3x1.5	KUPFERDICHTUNG 1/4 17x13.3x1.5
34	WY52002030	TBS.D-6 L.125 C032 SCAMBIATORE H2O >SCAMB	TUBE D-6 L.125 CO 32	TUYAU D-6 L.125 CO 32	ROHR D-6 L.125 CO 32
35	WY52002050	TUBO D-6 L.585 CO 41 RACC."T" 1/8 > PRES	PIPE D-4 L.700	TUYAU D-4 L.700	KANN. D-4 L.700
36	WY15477010	TUBO SILICONE 4x8 KG/Mt 0,045	SILICONE PIPE 4X8	TUBE EN SILICONE 4x8 0.045 Kg/Mt	SILIKONSCHLAUCH 4x8 KG/Mt 0,045
37	WY12012	GUARNIZIONE TEFLON 8.5x4x2	GASKET TEFLON 8.5x4x2	JOINT TEFLON 8.5x4x2	DICHTUNG TEFLON 8.5x4x2



## EPU

Pos	Cod.	Denominazione - IT -	Denomination - GB -	Denomination - FR -	Denomination - DE -
38	WY12155	GUARNIZIONE RAME 8.5x5x1	COPPER GASKET 8.5X5X1	JOINT CU 8.5X5X1	CU DICHTUNG 8.5x5x1
39	WY10251001	FILTRO IN ACCIAIO D-8 Sp.0,3	STEEL FILTER D-8 - 0.3 THICK	FILTRE EN ACIER D-8 Ep.0,3	STAHLFILTER D-8 Sp.0,3
40	WY23293	STROZZATURA RICIRCOLO GR D 4	REDUCED CONNECTOR OF GROUP D4	RACCORD REDUIT DU GROUPE D4	VERKLEINERTE FITTING DER GRUPPE D4
41	WY12329	GUARNIZIONE OR HNBR 7.66xW1.78	GASKET OR HNBR 7.66xW1.78	JOINT OR HNBR 7.66x1.78	OR DICHTUNG HNBR 7.66xW1.78
42	WY20366	VALVOLA AUTO INNESCO	SELF-PRIMER BRASS VALVE	VANNE SELF	MESSING ANHEIZENVENTIL
43	WY23065	DADO + PORTAGOMMA 1/8	NUT + 1/8 HOSE CONNECTION	ECROU + PORTE-CAOUTCHOUC 1/8	MUTTER + GUMMIHALTER 1/8
44	WY15056000	FASCETTA BIFILARE A MOLLA D.7,8-8,3	CLAMP D.7,8-8,3	COLLIER D.7,8-8,3	SHELLE D.7,8-8,3
45	WY15422011	RACCORDO "T" POLIPROPILENE D-5 NERO	"Y" POLYPROPYLENE FITTING	RACCORD "Y" POLYPROPYLENE	ANSCHLUSS "Y" POLYPROPYLENE
46	WY15056001	FASCETTA BIFILARE A MOLLA D.8,8-9,3	CLAMP D.8,8-9,3	COLLIER D.8,8-9,3	SHELLE D.8,8-9,3
47	WY52002055	TUB.D-6 L.170 CO 45 SCARICO	PIPE D-6 L.170	TUYAU D-6 L.170	ROHR D-6 L.170

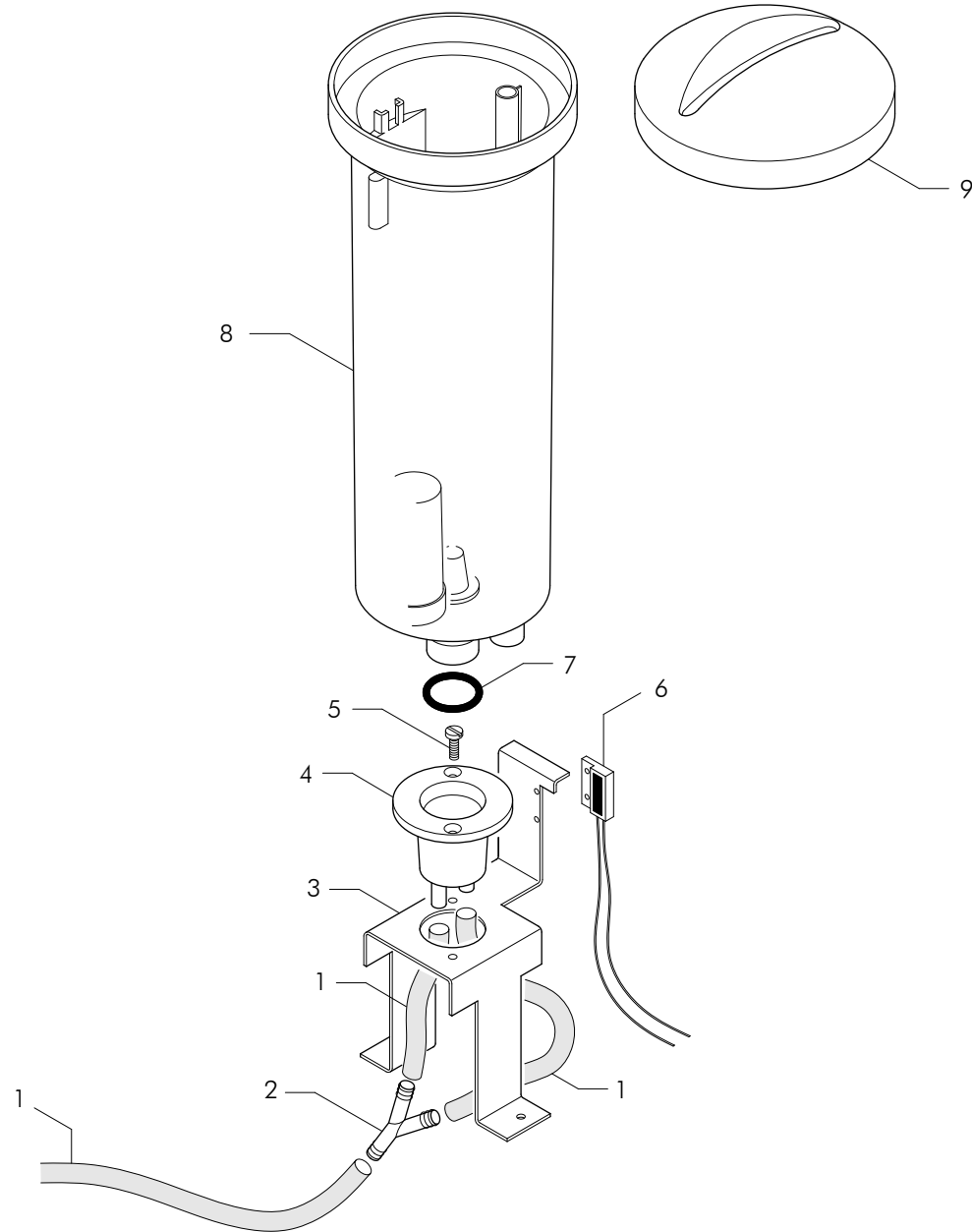


## EVD

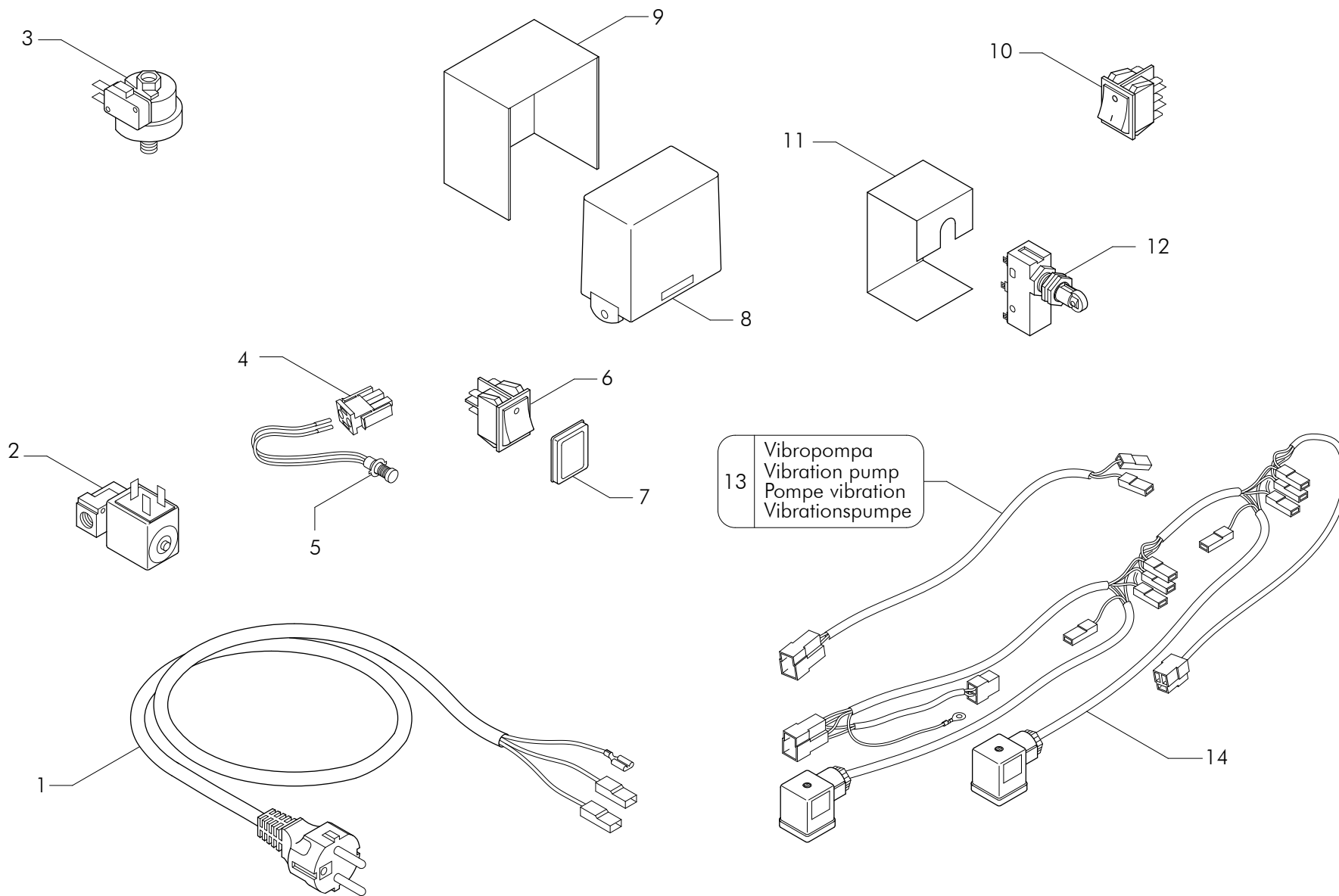
Pos	Cod.	Denominazione - IT -	Denomination - GB -	Denomination - FR -	Denomination - DE -
1	WY52002004	TBS.D-6 L.130 WE + COMPACT CO 21SCAMBIA	PIPE D-6 L.130	TUYAU D.6 L.130	KANN. D-6 L.130 WE+COMPACT CO 21
2	WY23212	RACCORDO OTT.GOM.1/8FEMMx1/8M	ELBOW BRASS CONNECTOR 1/8Fx1/8M	RACCORD COUDE LAITON 1/8Fx1/8M	MESSING-ANSCHLUSS 1/8x1/8M
3	WY25395	DADO 1/8	1/8 NUT	ECROU 1/8	MUTTER 1/8
4	WY20358	VALVOLA NON RITORNO 1/8-1/8 MASCHIO	NON-RETURN VALVE 1/8 - 1/8 MALE	CLAPET ANTI-RETOUR 1/8 - 1/8 MALE	RUCKSCHLAGVENTIL 1/8-1/8
5	WY52002029	TUBO D-6 L.70 C031 V.N.R. > VALV.ESP.POMPA	PIPE D-6 L.70	TUYAU D.6 L.70	KANN. D-6 L.70 COMPACT CO 31
6	WY23207	RACCORDO 1/8x1/8 CON	CONNECTOR 1/8X1/8	RACCORD 1/8X1/8	ANSCHLUSS 1/8x1/8
7	WY52002027	TUBO D-6 L.295 C029EV.AEA > CALDAIA	PIPE D-6 L.295	TUYAU D.6 L.295	KANN. D-6 L.295 COMPACT CO 29
8	WY52002042	TUBO D-6 L.280 C038 VALV.ESP. POMPA > EV.	PIPE D-6 L.280	TUYAU D.6 L.280	KANN. D-6 L.280 COMPACT CO 38
9	WY56210	VALVOLA ESPANSIONE POMPA 2R	PUMP EXPANSION VALVE	VALVE EXPANSION POMPE	EXPANSIONSVENTIL DER PUMPE
10	WY12600	FUNGHETTO GOMMA VALVOLA	VALVE RUBBER HEAD	TETE GOMME SOUPE	GUMMIVENTILKNOPF
11	WY12320	GUARNIZIONE OR 112 Di9.93x2.62 NBR SH 75	O RING 112 Di9.93x2.62 NBR SH 75	JOINT OR 112 Di9.93x2.62 NBR SH 75	OR DICHTUNG 112 Di9.93x2.62 NBR 75
12	WY25786	TAPPO VALVOLA ESPANS. POMPA	PUMP EXPANSION VALVE CAP	BOUCHON SOUPE EXP. POMPE	STOPFEN FUR PUMPENEXPANSIONSVENTIL
13	WY10470	MOLLA VALVOLA ESPANSIONE	EXPANSION VALVE SPRING	RESSORT CLAPET EXPANSION	EXPANSIONSVENTILFEDER
14	WY52002861	TUBO D-6 L.330 WSN/6USC.BLOCCO ELV.GRUPPO	TUBE D-6 L.370 TEFLON WSN/6	TUBE D-G L.370 S. NOVA TEFLON	ROHR D-G L. 370 S.NOVA TEFLON WSN/G
15	WY23211	RACCORDO OTT.-T- 1/8x1/8x1/8	BRASS CONNECTOR 'T' 1/8X1/8X1/8	RACCORD LAITON "T" 1/8X1/8X1/8	MESSING FITTING "T" 1/8x1/8x1/8
16	WY25744	RIDUZIONE 1/8Fx3/8F V.N.R.	REDUCTION 1/8Fx3/8F	REDUCTION 1/8Fx3/8F	REDUKTION 1/8Fx3/8F
17	WY12312	GUARNIZIONE OR FILTRO AEA 10x2	O RING FOR WATER REFILL FILTER 10x2	JOINT OR FILTRE AUT.REM.EAU 10X2	OR DICHTUNG FUR WASSERFULLUNGFILTER
18	WY10254	FILTRO ACCIAIO 160-200 MESH	STEEL FILTER 160-200 MESH	FILTRE EN ACIER 160-200 MESH	STAHLFILTER 160-200 MESH
19	WY23206	RACCORDO -L- D10 3/8x1/8CON	ELBOW BRASS CONNECTOR D10 3/8X1/8	RACCORD COUDE LAITON D10 3/8X1/8	MESSING FITTING D10 3/8x1/8
20	WY26304	POMPA FLUID VIB.220/240V 1106PAI1M1N	FLUIDOTEC VIBRATION PUMP 220/240V	POMPE VIBRATION FLUIDOTEC 220/240V	VIBRATIONS Pumpe FLUIDOTEC 220/240V
20	WY26310	POMPA FLUID.VIB.110V 1106PAIFM1N	FLUIDOTEC VIBRATION PUMP 110V	POMPE VIBRATION FLUIDOTEC 110V	VIBRATIONS Pumpe FLUIDOTEC 110V
21	WY26306	SUPPORTO FISSO POMPA VIBRAZIONE	FIXING BEARING VIBRATION PUMP	SUPPORT POMPE VIBRATION	HALTER DER VIBRATIONS Pumpe
22	WY15313	PIEDINI NEOPRENE 20x4.5	NEOPRENE LEG 20X4.5	PIED NEOPRENE 20X4.5	NEOPRENEFUSSE 20x4.5
23	WY30400	TUBOFLEX 1/8FF P.GOMMA PIA. L37 Ni	TUBOFLEX 1/8FF RUBBER-HOLDER L37	TUBOFLEX 1/8FF PORTE-GOMME L37	TUBOFLEX 1/8FF GUMMI-HALTER L37
24	WY25787	TAPPO MASCHIO 1/8	MALE CAP 1/8	BOUCHON MALE 1/8	STOPFEN 1/8
25	WY12151	GUARNIZIONE RAME 1/8 13x10.2x1.5	COPPER GASKET	JOINT CUIVRE	KUPFERDICHTUNG
26	WY52002078	TBS.D-10 L.380 CO 68 SCAMB.INF.>GRUPPO INF	TUBE D-10 L.380 CO 68	TUYAU D-10 L.380 CO 68	ROHR D-10 L.380 CO 68
27	WY52002079	TBS.D-10 L.110 CO 69 SCAMB.SUP.>GRUPPO SUP	TUBE D-10 L.110 CO 69	TUYAU D-10 L.110 CO 69	ROHR D-10 L.110 CO 69
28	WY30406	TUBOFLEX 1/8FF P.GOMMA PIA. L100 Ni	TUBOFLEX 1/8FF RUBBER-HOLDER L100	TUBOFLEX 1/8FF PORTE-GOMME L100	TUBOFLEX 1/8FFGUMMI-HALTER L100
29	WY52902049	TUBO D-6 L.210 CO 40 NI	TUBE D-6 L.210 40 NI	TUYAU D-6 L.210 40 NI	ROHR D-6 L.210 40 NI
30	WY21105	MANOMETRO 2.5 BAR 1/8 D 44 TUV	PRESSURE GAUGE 2.5 BAR 1/8 D44 TUV	MANOMETRE 2.5 BAR 1/8 D44 TUV	MANOMETER 2.5 BAR 1/8 D44 TUV
31	WY52002043	TUBO D-4 L.570 C039CALDAIA > MANOMETRO	PIPE D-4 L.570	TUYAU D.4 L.570	KANN. D-4 L.570 COMPACT CO 39
32	WY52902031	TUBO D-6 L.90 CO 33 NI	TUBE D-6 L.90 33 NI	TUYAU D-6 L.90 33 NI	ROHR D-6 L.90 33 NI
33	WY52002041	TUBO D-6 L.140 C037VALVOLA SCNR > VASCHET	PIPE D-6 L.140	TUYAU D.6 L.140	KANN. D-6 L.140 COMPACT CO 37
34	WY12153	GUARNIZIONE RAME 1/4 17x13.3x1.5	GASKET 1/4 17x13.3x1.5 COPPER	JOINT CUIVRE 1/4 17x13.3x1.5	KUPFERDICHTUNG 1/4 17x13.3x1.5
35	WY25686	RACCORDO 1/4x1/4	CONNECTOR 1/4 x 1/4	RACCORD 1/4 x 1/4	ANSCHLUSS 1/4x1/4
36	WY52902039	TUBO D-6 L.155 CO 35 NI	TUBE D-6 L.155 35 NI	TUYAU D-6 L.155 35 NI	ROHR D-6 L.155 35 NI
37	WY52902040	TUBO D-6 L.135 CO 36 NI	TUBE D-6 L.135 36 NI	TUYAU D-6 L.135 36 NI	ROHR D-6 L.135 36 NI

## EVD

Pos	Cod.	Denominazione - IT -	Denomination - GB -	Denomination - FR -	Denomination - DE -
38	WY56153	VALVOLA DOSATORE S.C.N.R.	S.C.N.R. DOSER VALVE	VANNE DOSEUR S.C.N.R.	DOSIERERVENTIL S.C.N.R.
39	WY18126	DOSATORE FLOWMETER	FLOWMETER DOSER	DOSEUR FLOWMETER	DOSIERER FLOWMETER
40	WY12329	GUARNIZIONE OR HNBR 7.66xW1.78	GASKET OR HNBR 7.66xW1.78	JOINT OR HNBR 7.66x1.78	OR DICHTUNG HNBR 7.66xW1.78
41	WY52002054	TUBO D-6 L.130 CO 44 S.C.N.R. > BACINELL	TUBE D-6 L.130 CO 44	TUYAU D-6 L.130 CO 44	ROHR D-6 L.130 CO 44
42	WY52002057	TUBO D-6 L.325 CO 47 S.C.N.R. > SCAMBIATO	TUBE D-6 L.325 CO 47	TUYAU D-6 L.325 CO 47	ROHR D-6 L.325 CO 47
43	WY52002056	TUBO D-6 L.285 CO 46 SCAMBIATORE H2O > D	TUBE D-6 L.285 CO 46	TUYAU D-6 L.285 CO 46	ROHR D-6 L.285 CO 46
44	WY10251001	FILTRO IN ACCIAIO D-8 Sp.0,3	STEEL FILTER D-8 - 0.3 THICK	FILTRE EN ACIER D-8 Ep.0,3	STAHLFILTER D-8 Sp.0,3
45	WY52002050	TUBO D-6 L.585 CO 41 RACC."T" 1/8 > PRES	PIPE D-4 L.700	TUYAU D-4 L.700	KANN. D-4 L.700
46	WY12012	GUARNIZIONE TEFLON 8.5x4x2	GASKET TEFLON 8.5x4x2	JOINT TEFLON 8.5x4x2	DICHTUNG TEFLON 8.5x4x2
47	WY12155	GUARNIZIONE RAME 8.5x5x1	COPPER GASKET 8.5X5X1	JOINT CU 8.5X5X1	CU DICHTUNG 8.5x5x1
48	WY15477010	TUBO SILICONE 4x8 KG/Mt 0,045	SILICONE PIPE 4X8	TUBE EN SILICONE 4x8 0.045 Kg/Mt	SILIKONSCHLAUCH 4x8 KG/Mt 0,045
49	WY12329	GUARNIZIONE OR HNBR 7.66xW1.78	GASKET OR HNBR 7.66xW1.78	JOINT OR HNBR 7.66x1.78	OR DICHTUNG HNBR 7.66xW1.78
50	WY20366	VALVOLA AUTO INNESCO	SELF-PRIMER BRASS VALVE	VANNE SELF	MESSING ANHEIZENVENTIL
51	WY23065	DADO + PORTAGOMMA 1/8	NUT + 1/8 HOSE CONNECTION	ECROU + PORTE-CAOUTCHOUC 1/8	MUTTER + GUMMIHALTER 1/8
52	WY15056001	FASCETTA BIFILARE A MOLLA D.8,8-9,3	CLAMP D.8,8-9,3	COLLIER D.8,8-9,3	SCHELLE D.8,8-9,3
53	WY23293	STROZZATURA RICIRCOLO GR D 4	REDUCED CONNECTOR OF GROUP D4	RACCORD REDUIT DU GROUPE D4	VERKLEINERTE FITTING DER GRUPPE D4



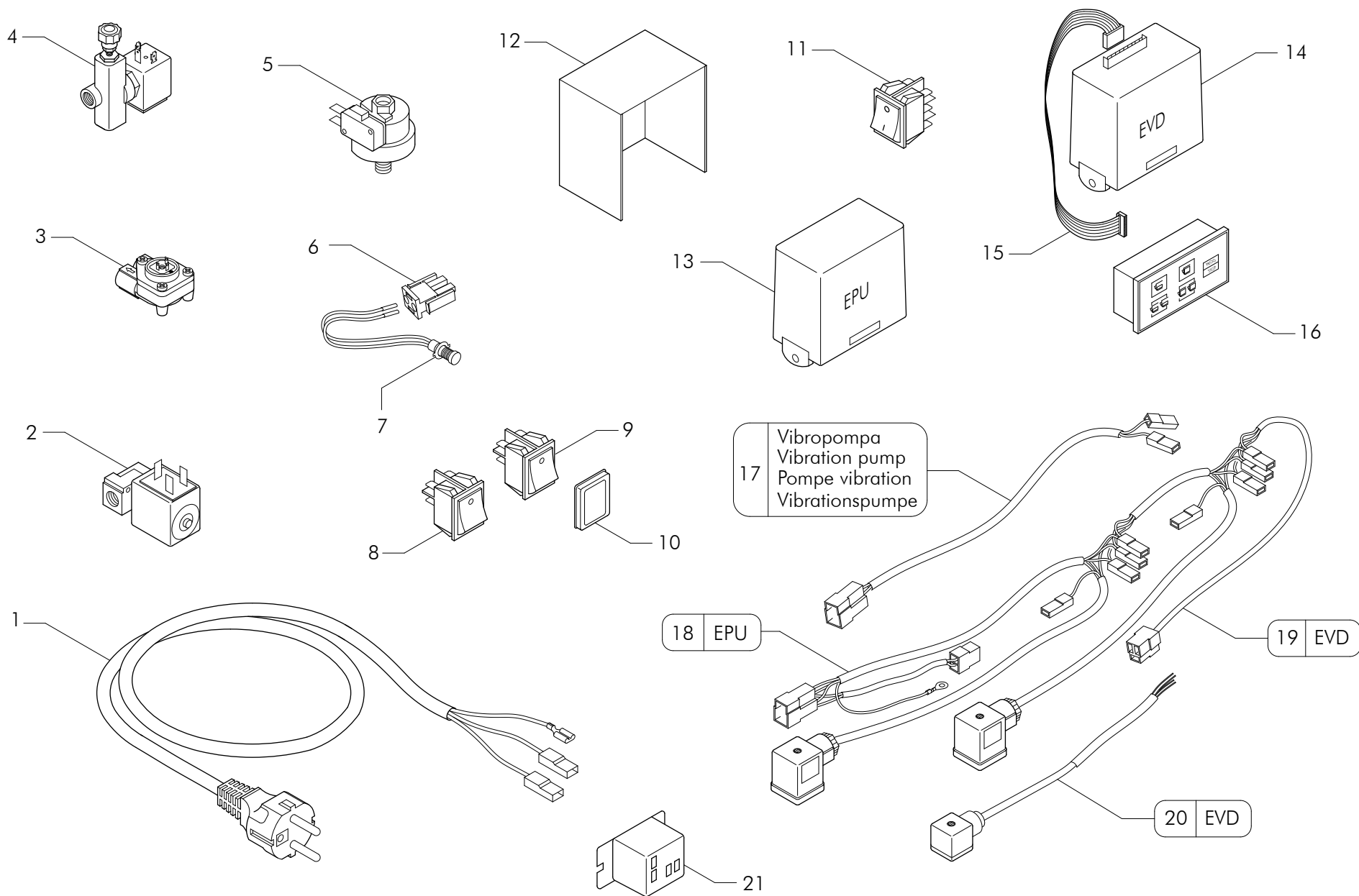
Pos	Cod.	Denominazione - IT -	Denomination - GB -	Denomination - FR -	Denomination - DE -
1	WY15477010	TUBO SILICONE 4x8 KG/Mt 0,045	SILICONE PIPE 4X8	TUBE EN SILICONE 4x8 0.045 Kg/Mt	SILIKONSCHLAUCH 4x8 KG/Mt 0,045
2	WY15422005	RACCORDO "Y" POLIPROPILENE D-8	CONNECTOR "Y" POLYPROPYLENE D-8	RACCORD "Y" POLYPROP. D8	ANSCHLUSSTUCK "Y" D-8
3	WY78077000	SUPPORTO CONTENITORE ACQUA	WATER TRAY SUPPORT	SUPPORT CUVE EAU	WASSERBEHALTER LAGER
4	WY15020004	SUPPORTO FISSO VASO ACQUA	SUPPORT WATER TRAY	SUPPORT CUVE EAU	WASSERBEHALTER
5	WY23301	VITE TC INOX 3x8 TAGLIO CACCIAVITE	STEEL SCREW TC 3X8	VIS INOX TC 3X8	STAHLSCHRAUBE TC 3x8
6	WY18255000	SENSORE MAGNETICO REED	REED SWITCH	CAPTEUR MAGNETIQUE	MAGNETFUHLER
7	WY12300039	GUARNIZIONE OR 4050 SERBATOIO ESTRAIBILE	GASKET O RING 4050	JOINT OR 4050	DICHTUNG OR 4050
8	WY15514101	CONTENITORE ACQUA COMPLETO	WATER TANK CKX / CKXE	CUVE EAU COMPLET	WASSERBEHALTER
9	WY15020002	TAPPO	CUP	BOUCHON	STOPFEN



## EMA

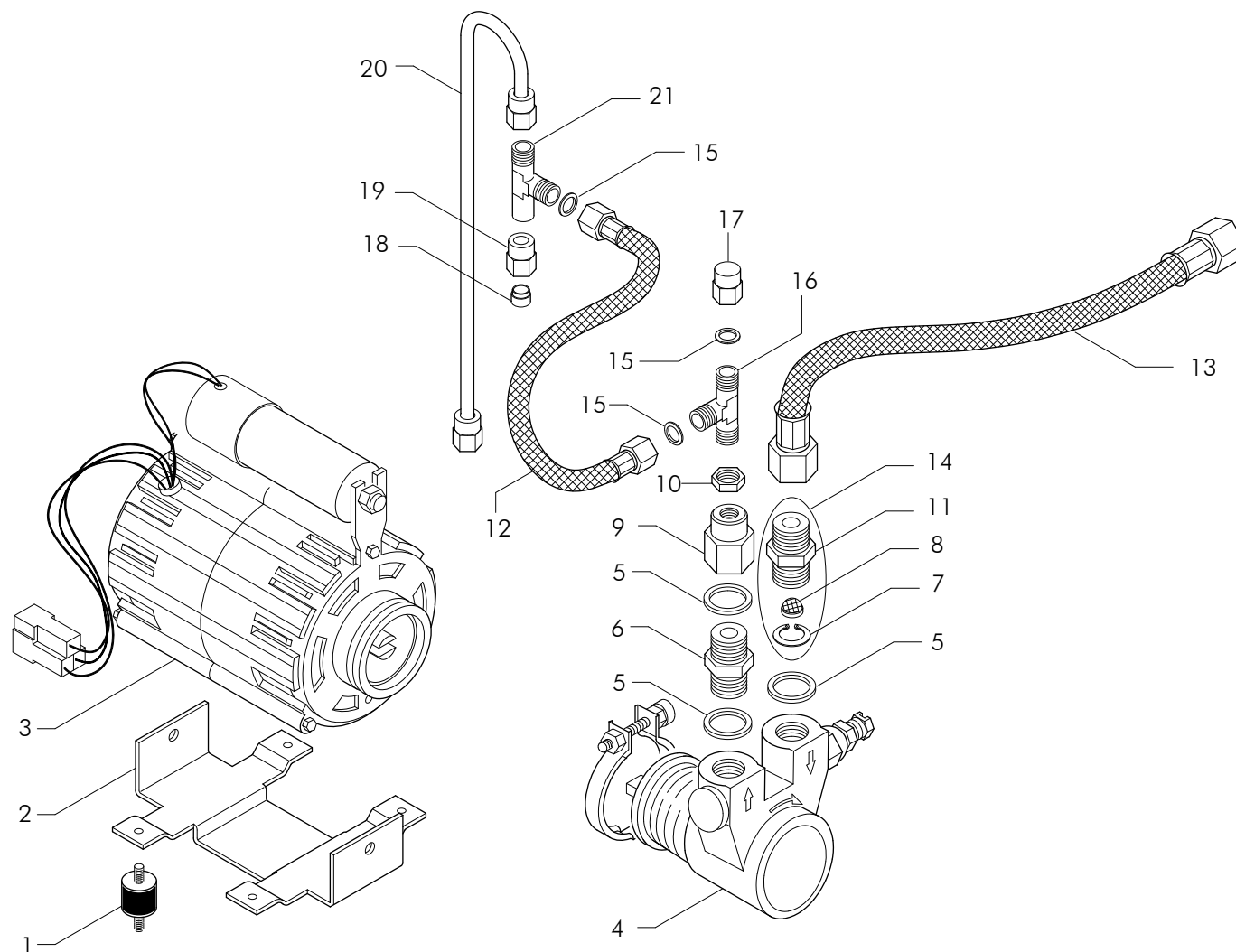
Pos	Cod.	Denominazione - IT -	Denomination - GB -	Denomination - FR -	Denomination - DE -
1	WY22030	CAVO + SPINA L.2500	CABLE + PLUG L.2500	CABLE + FICHE L.2500	KABEL + STECKER L.2500
2	WY4618162005	ELETTROVALVOLA AEA 220-240V 50-60Hz VDE/CW	SOL.VALVE WATER REFILL 220/240 50/60HZ	ELECTROVANNE REA 220/240V 50/60Hz VDE/	ELEKTROVENTIL AWZ 230/250 V 50/60 Hz
2	WY4618195	ELETTROVALVOLA AEA 110-120V 50-60Hz NSF	SOL.VALVE WATER REFILL 110/120V 50/60HZ	ELECTROVANNE REA 110/120V 50/60Hz NSF	ELEKTROVENTIL AWZ 110/120V 50/60Hz NSF
3	WY20155	PRESSOSTATO XP73B941.010 T.1bar XP110 1/8g	PRESSURE SWITCH 1 BAR 1/8 GAS	PRESSOSTAT P79B921.010 1bar 1/8 gaz	DRUCKMESSER XP79B921.010 T.1bar 1/8
4	WY10760	BLOCCETTO MASCHIO	MALE BLOCK	MODULE MALE	STECKER
5	WY21023	LAMPADA SPIA ROSSA 230V	RED PILOT LIGHT 230V	LAMPE TEMOIN ROUGE 230V	ROTE KONTROLLEUCHTE 230V
5	WY21025	LAMPADA SPIA ROSSA 120V	RED PILOT LIGHT 120V	LAMPE TEMOIN ROUGE 120V	ROTE KONTROLLEUCHTE 120V
6	WY18263	INTERRUTTORE BIP. NERO LED LUMIN.ROSSO	BIP. LUMIN. BLACK SWITCH	INTER.BIP.LUMIN. NOIR	ZWEIP.SCHALTER M. SCHWARZ LEUCHTE
7	WY19049	COPERTURA INTERRUTTORE	SWITCH COVER	PROTECTION INTERRUPTEUR	SCHALTER ABD.
8	WY18043	CENTRALINA MFC 2S 110V	GEARCASE MFC 2S 110V	CENTRALE MFC 2S 110V	STEUERUNG MFC 2S 110V
8	WY18045	CENTRALINA MFC 2S 220/240V	GEARCASE MFC 2S 220/240V	CENTRALE MFC 2S 220/240V	STEUERUNG MFC 2S 220/240V
9	WY77710001	SCATOLA CENTRALINA	GEARCASE BOX	BOITE POUR CENTRALE	GAHAUSE FUR STEUERUNG
10	WY18135	DEVIATORE BIPOLARE ROSSO	RED BIPOLAR SWITCH	COMMUTATEUR BIP.ROUGE	UMSCHALTER 2P. ROT
11	WY77610	COPRIMICRO X EMA WEGA	MICRO COVER FOR EMA	COUVRE-MICRO POUR EMA	MIKRODECKEL FUR EMA
12	WY18251	INTERRUTTORE MICRO C7AZN	MICRO SWITCH C7AZN	MICRO INTERRUPTEUR C7AZN	MICRO SCHALTER C7AZN
13	WY22722014	CABLAGGIO POMPA VIBRAZIONE UL	CABLE VUBRATION PUMP	CABLE POMPE VIBRATION	KABEL VIBRATIONS Pumpe
14	WY22722013	CABLAGGIO MININOVA LEVETTA UL	CABLE EMA UL	CABLE EMA UL	KABEL EMA UL





## EPU/EVD

Pos	Cod.	Denominazione - IT -	Denomination - GB -	Denomination - FR -	Denomination - DE -
1	WY22030	CAVO + SPINA L.2500	CABLE + PLUG L.2500	CABLE + FICHE L.2500	KABEL + STECKER L.2500
2	WY4618162005	ELETTROVALVOLA AEA 220-240V 50-60Hz VDE/CW	SOL.VALVE WATER REFILL 220/240 50/60HZ	ELECTROVANNE REA 220/240V 50/60Hz VDE/	ELEKTROVENTIL AWZ 230/250 V 50/60 Hz
2	WY4618195	ELETTROVALVOLA AEA 110-120V 50-60Hz NSF	SOL.VALVE WATER REFILL 110/120V 50/60HZ	ELECTROVANNE REA 110/120V 50/60Hz NSF	ELEKTROVENTIL AWZ 110/120V 50/60Hz NSF
3	WY18126	DOSATORE FLOWMETER	FLOWMETER DOSER	DOSEUR FLOWMETER	DOSIERER FLOWMETER
4	WY18161986	ELETTROVALVOLA AEA UL 120V 60Hz	AEA SOLENOID VALVE 120V 60Hz UL	ELECTROVANNE AEA 120V 60Hz UL	ELEKTROVENTIL AEA 120V 60Hz UL
4	WY18161988	ELETTROVALVOLA AEA REGOL.230V 50Hz	AEA SOLENOID VALVE ADJUST.230V 50HZ	ELECTROVANNE AEA REGLAGE 230V 50Hz	ELEKTROVENTIL AEA EINSTELLUNG 230V 50Hz
5	WY20155	PRESSOSTATO XP73B941.010 T.1bar XP110 1/8g	PRESSURE SWITCH 1 BAR 1/8 GAS	PRESSOSTAT P79B921.010 1bar 1/8 gaz	DRUCKMESSER XP79B921.010 T.1bar 1/8
6	WY10760	BLOCCHETTO MASCHIO	MALE BLOCK	MODULE MALE	STECKER
7	WY21023	LAMPADA SPIA ROSSA 230V	RED PILOT LIGHT 230V	LAMPE TEMOIN ROUGE 230V	ROTE KONTROLLEUCHE 230V
7	WY21025	LAMPADA SPIA ROSSA 120V	RED PILOT LIGHT 120V	LAMPE TEMOIN ROUGE 120V	ROTE KONTROLLEUCHE 120V
8	WY18268	PULSANTE BIPOLARE ROSSO	RED BIPOLAR SWITCH	BOUTON BIP.ROUGE	ZWEIP.ROT DRUCKKNOPF
9	WY18260	INTERRUTTORE BIPOLARE LUMINOSO ROSSO	SWITCH LUMINOUS RED BIPOLAR	INTERRUPTEUR BIP. LUMINEUX ROUGE	ZWEIPOLIGER ROTER LEUCHTSCHALTER B418C1
10	WY19049	COPERTURA INTERRUTTORE	SWITCH COVER	PROTECTION INTERRUPTEUR	SCHALTER ABD.
11	WY18135	DEVIATORE BIPOLARE ROSSO	RED BIPOLAR SWITCH	COMMUTATEUR BIP.ROUGE	UMSCHALTER 2P. ROT
12	WY77710001	SCATOLA CENTRALINA	GEARCASE BOX	BOITE POUR CENTRALE	GAHAUSE FUR STEUERUNG
13	WY18043	CENTRALINA MFC 2S 110V	GEARCASE MFC 2S 110V	CENTRALE MFC 2S 110V	STEUERUNG MFC 2S 110V
13	WY18045	CENTRALINA MFC 2S 220/240V	GEARCASE MFC 2S 220/240V	CENTRALE MFC 2S 220/240V	STEUERUNG MFC 2S 220/240V
14	WY18043001	CENTRALINA SAE 110V	GEARCASE 110V	CENTRALE 110V	STEUERGEHAUSE SAE 110V
14	WY18045001	CENTRALINA SAE 220/240V	GEARCASE 220/240V	CENTRALE 220/240V	STEUERGEHAUSE SAE 220/240V
15	WY22627	CAVO PULSANTIERA 10 POLI 80CM	80 CM CONNECTOR FOR P.BUTTON PANEL	CABLE CLAVIER 10 POLES 80 CM	KABEL BEDIENBL. 10 POLIG 80CM
16	WY18371027	PULSANTIERA 5 TASTI	TOUCH PAD 5BUTTONS	CLAVIER A TOUCHES 5T	DRUCKKNOPFTAFEL 5T
17	WY22608	CAVO PULSANTIERA	TOUCH PAD CABLE	CABLE CLAVIER A TOUCHES	KABEL DER DRUCKKNOPFTAFEL
18	WY22718103	CABLAGGIO PROLUNGA INT.MININOVA	CABLE MININOVA	CABLAGE MININOVA	VERDRAHTUNG MININOVA
18	WY22722001	CABLAGGIO VIB.	WIRING HARNESS	CABLAGE VIB.	VERDRAHTUNG VIB.
18	WY22722003	CABLAGGIO VIB.UL	WIRING HARNESS UL	CABLAGE VIB. UL	VERDRAHTUNG VIB. UL
18	WY22722004	CABLAGGIO M.I.	WIRING HARNESS M.I.	CABLAGE M.I.	VERDRAHTUNG M.I.
18	WY22722010	CABLAGGIO M.I. UL	WIRING HARNESS M.I. UL	CABLAGE M.I. UL	VERDRAHTUNG M.I. UL
19	WY22722002	CABLAGGIO SAE VIB.UL	WIRING HARNESS ELECTRONIC MODEL	CABLAGE MOD. ELECTRONIQUE	VERDRAHTUNG COMPACT SAE VIB.
19	WY22722005	CABLAGGIO COMPACT SAE M.I. UL	WIRING HARNESS M.I. UL	CABLAGE M.I. UL	VERDRAHTUNG M.I. UL
20	WY22722012	CABLAGGIO DOSATORE	CABLE	CABLE	KABEL
21	WY18460001	RELAIS RESISTENZA 230V AZ2280-1C	RELAY HEAT.ELEMENT 230V	RELAIS RES. 230V AZ2280 - 1C	RELAIS HEIZKORPER 230V
21	WY18460002	RELAIS RESISTENZA 120V AZ2280-1C	RELAY HEAT.ELEMENT 120V	RELAIS RES.120V AZ2280 - 1C	RELAIS HEIZKORPER 120V



Pos	Cod.	Denominazione - IT -	Denomination - GB -	Denomination - FR -	Denomination - DE -
1	WY15105	GOMMA AMMORTIZZATORE	RUBBER FOR MOTOR	CAOUTCHOUC POUR MOTEUR	GUMMI x MOTOR
2	WY78174001	SUPPORTO MOTORE	MOTOR SUPPORT	SUPPORT MOTEUR	EINGEBAUTER MOTORHALTER
3	WY18303	MOTORE R.P.M. 230V 120W	MOTOR R.P.M. 230V 120W	MOTEUR R.P.M. 230V 120W	MOTOR R.P.M. 230V 120W
4	WY4626303002	POMPA FLUID-O-TECH 50Lt/h	FLUID POMP O TECH 50LT/H	POMPE FLUID-O-TECH 50Lt/h	PUMPE FLUID-O-TECH 50Lt/h
5	WY12154	GUARNIZIONE CU 3/8 22x17x1,5	GASKET COPPER 3/8 22x17x1,5	JOINT CUIVRE 3/8 22x17x1.5	KUPFERDICHTUNG 3/8 22x17x1.5
6	WY25687	RACCORDO 3/8x3/8 GAS	3/8x3/8 GAS FITTING	RACCORD 3/8x3/8 GAZ	ANSCHLUSS 3/8x3/8 GAS
7	WY10005	ANELLO DI ARRESTO INOX	STAINLESS STEEL STOP RING	ANNEAU DE BUTEE INOX	DRAHTSPRENGRING ROSTFREI
8	WY10254	FILTRO ACCIAIO 160-200 MESH	STEEL FILTER 160-200 MESH	FILTRE EN ACIER 160-200 MESH	STAHLFILTER 160-200 MESH
9	WY25744	RIDUZIONE 1/8Fx3/8F V.N.R.	REDUCTION 1/8Fx3/8F	REDUCTION 1/8Fx3/8F	REDUKTION 1/8Fx3/8F
10	WY25395	DADO 1/8	1/8 NUT	ECROU 1/8	MUTTER 1/8
11	WY25732	RACCORDO 3/8x3/8 + SEDE FILTRO	3/8x3/8 FITTING + FILTER HOUSING	RACCORD 3/8x3/8 + LOG. FILTRE	ANSCHLUSS 3/8x3/8 + FILTERSITZ
12	WY30405	TUBOFLEX 1/8FF P.GOMMA L19 NI	FLEX PIPE 1/8FF L19	TUYAU FLEX 1/8FF L19	TUBOFLEX 1/8FF L19
13	WY4630408	TUBOFLEX 3/8FF P.GOMMA L-1500mm CW510L	FLEX PIPE 3/8 L.150 CW510L	TUYAU FLEX 3/8 FF L.150 CW510L	SCHLAUCH 3/8 AUFNAHMETUR L.150 GUMMI
14	WY56116	RACCORDO 3/8+3/8 MOTOPOMPA ASSIEME	CONNECTOR 3/8+3/8 PUMP ASSEMBLY	RACCORD 3/8 + 3/8 ENS. MOTOPOMPE	ANSCHLUSS 3/8 + 3/8 MOTORP. ZUSAMMEN
15	WY12012	GUARNIZIONE TEFLON 8.5x4x2	GASKET TEFLON 8.5x4x2	JOINT TEFLON 8.5x4x2	DICHTUNG TEFLON 8.5x4x2
16	WY23211	RACCORDO OTT. -T- 1/8x1/8x1/8	BRASS CONNECTOR 'T' 1/8X1/8X1/8	RACCORD LAITON "T" 1/8X1/8X1/8	MESSING FITTING "T" 1/8x1/8x1/8
17	WY25790	TAPPO 1/8 GAS FEMMINA	FEMALE CAP 1/8 GAS	BOUCHON FEMELLE 1/8 GAS	STOPFEN 1/8 GAS
18	WY25800	TERMINALE D6	TERMINAL D6	BORNE D6	ENDVERSCHLUSS D6
19	WY25701	RACCORDO MANOMETRO 1/8 FORO 6	MANOMETER CONNECTOR 1/8 HOLE 6	RACCORD MANOMETRE 1/8 TROU 6	MANOMETERFITTING 1/8 LOCH 6
20	WY52002053	TUBO D-6 L.200 CO 43 RACC."T" ORIENT. >	TUBE D-6 L.200	TUYAU D-6 L.200	ROHR D-6 L.200
21	WY23195	RACCORDO	FITTING	RACCORD	FITTING